

Experience® and Lights

Installation manual

Dear Installer

This manual contains advice for a rapid and precise installation of the various components.

Although we are sure that you know how to use our products we still recommend that you read our indications carefully.

We always welcome any suggestions or indications on possible improvements to the installation techniques or the layout of the manual.

We would also remind you that during installation you should always use materials that best comply with the environmental conditions.

It is good practice to issue a final declaration of correct installation according to the specifications given in this manual, in addition to the mandatory declarations of conformity required by law, where requested.

All technical interventions necessary for the installation must be carried out by authorised and specialised technicians.

All unauthorised interventions (tampering, technical modification etc.) during the warranty period will invalidate said warranty.

CORRADI S.p.A. reserves the right to make technical modifications to the components or products, except for the main features, at any time and without prior notice.

INDEX

Symbols	2
General Precautions	2
General safety precautions	2
Precautions and warnings	2
Preliminary checks	3
Disposal of packaging materials	3
Material check, unpacking and preparation	4
General	5
1 Mounting lines	8
2 Electrical connections	11
3 Replacement Lamps	14
4 Multisensory	16

SYMBOLS

SYMBOLS

The symbols indicated are used to draw the attention of the installer to arguments of particular importance for the safety of persons, the product or to indicate particular operating conditions.



Attention: general operating note

Attention: greater attention to what you are reading

Attention: general hazard; possible risk of damage to persons, property, components

Attention: risk of electrical hazard

Attention: risk of crushing hands

Contact: CORRADI S.p.A. or the authorised retailer

GENERAL PRECAUTIONS



Before undertaking any assembly, maintenance or cleaning operations, make sure that you have fully understood the indications in this manual.

Failure to comply with the regulations contained herein relieves CORRADI S.p.A. of all responsibility for damage caused to persons, animals, property and/or components.

The installation personnel must scrupulously comply with the local accident prevention regulations in force.



All electrical connections for movement, installation of automation accessories etc. must only be made by qualified personnel.

If the structure is motorised and installed at a height of less than 250 cm from the ground, the control button must be of the 'dead-man' type and the opening and closing operations must be clearly visible.



In case of any incompatibility, contact CORRADI S.p.A.

GENERAL SAFETY WARNINGS

Experience is designed for a specific use (as outlined in this manual); any use other than that envisaged shall relieve CORRADI S.p.A. of any responsibility.

When using the awning it is good practice to remember that all moving parts can be a source of danger.



It is compulsory to cut off the power supply (if present) when carrying out an installation, maintenance, repair or adjustment intervention.



It is recommended that a caution sign be placed on the power supply master switch with the following indications:

"Attention! Do not touch. Service personnel at work".

PRECAUTIONS AND WARNINGS

The maintenance and installation personnel (installers, electricians etc.) must have sufficient expertise and psychophysical and attitudinal requirements for undertaking the tasks at hand.

Always check the correct mounting and working efficiency of the electrical and manual drives during the assembly.



In case of anomalies, immediately stop the work and contact the service department of CORRADI S.p.A.



The use of non-original spare parts, tampering and unauthorized changes, absolve the company CORRADI SpA from any liability for damage caused to persons, property or animals. It is absolutely forbidden to tamper with the attacks, control units, electrical components and any other component of Experience ®.

**WARNING**

All values indicated are expressed in centimetres (unless otherwise specified).

PRELIMINARY CHECKS

On receipt of the packed goods and before starting their assembly, check the integrity of the material and the presence of all the components necessary for the installation.

Carefully follow the information contained in the "Material check, unpacking and preparation" section.



In case of anomalies, immediately contact the authorised retailer or CORRADI S.p.A.

DISPOSAL OF PACKAGING MATERIALS

Divide the various packaging according to the material used (cardboard, nylon, polystyrene etc.) and dispose of them separately in compliance with the regulations in force.

MATERIAL CHECK, UNPACKING AND PREPARATION

CORRADI SPA Via Bimbi, 39 40125 Bologna (ITALIA) tel.051-4188411 - Fax.051-4188400	Corradi OUTDOOR LIVING SPACE
Cliente / Customer: XXXXXX	
Indirizzo / Address: XXXXXXXXXXXX XXXXXXXXXXXXXXXXXXXX	
Ordine nr: XXXX/X	Collo/Pack 1 di 1
 L406396M0010	
ETICHETTA PESO	
Packing list n°: XXXXXX Contenuto/Content: Comando Mark: 0010 Rif/Ref: FPSERVICE Numero: xxxxxxxxxxxx	

FACSIMILE PLATE

PRELIMINARY CHECKS

Experience® is delivered in robust packaging to protect it from knocks or dents. A label on the pack indicates:

- **Manufacturer's data**
- **Order no.**
- **Addressee name**
- **Customer reference name**
- **Parcel no.**

Before opening the packaging, check that the data corresponds to that in your possession. Inside the packaging there are elements for the assembly of the structure, the necessary accessories for installation and the user manual.



Note:

Since it is purely electric material, it is appropriate that the installation is carried out by qualified electricians.



Proceed as follows:

- Remove the elements from the packaging.



Warning:

- do not use a knife to avoid the risk of ruining the paint or metal elements.

EXPERIENCE

CORRADI EXPERIENCE is a multisensory system (visual, audio and olfactory) integrated into the canvas-holding tubes of the IMPACT® awning, potentially applicable to any Corradi structure, even on previously installed structures;

A higher cost will apply to installation on existing structures, due to the replacement of the lighting tubes and the replacement of the canvas if it does not have an anti-drop flat band.

Attention:

In all cases, to correctly install the lighting system the canvas must be fitted with an anti-drop flat band in the tilted (standard anti-drop) and in the flat version (special interrupted anti-drop, depending on the application).

The Experience system has 4 different versions:

1) EXPERIENCE White STANDARD (only "WARM" white lights 3200K)

Dedicated lighting system, fitted with White LIGHTS, perfectly integrated into the intermediate canvas-holding tubes, and equipped with up to 2 lines of 2 to 6 LED lights (so two intermediary profiles lit by 1 to 3 lights per intermediary profile according to the number of guides) for a maximum total of 6 lights dimmable via multi-channel radio control (not included).

N.B. this EXPERIENCE White STANDARD system can only be installed on "tilted" Pergotenda® with the obligation of an antidrop flat band.

EXPERIENCE White STANDARD configurations:

If 2-guide structure, then 2 lights on 2 intermediary profile

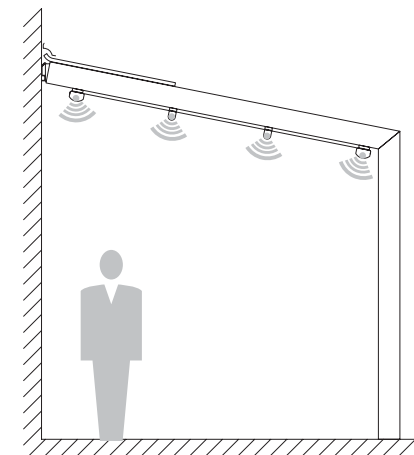
If 3-guide structure, then 4 lights on 2 intermediary profile

If 4-guide structure, then 6 lights on 2 intermediary profile

System components and features:

- Power unit 24V and 60W
- Control unit for control from Corradi remote control (Remote control not included)
- 2-pole wiring included
- Hardware and gaskets for assembly on canvas
- White Lights

Each light is fitted with 24 latest generation LED with specific power and maximum absorption of 9.6W, emitting 960 lumen, capable of generating 3200K dimmable white "warm light" comparable to a 75W incandescent light bulb.



GENERAL

2) EXPERIENCE RGB STANDARD (ONLY RGB LIGHTS WITH "COLD" WHITE 5200K)

Dedicated lighting system, fitted with RGB LIGHTS, perfectly integrated into the intermediate canvas-holding tubes, and equipped with up to 2 lines of 2 to 6 LED lights (so two intermediary profiles lit by

1 to 3 lights per intermediary profile according to the number of guides) for a maximum total of 6 lights dimmable via multi-channel radio control (not included).

N.B. this EXPERIENCE White STANDARD system can only be installed on "tilted" Pergotenda® with the obligation of an antidrop flat band.

If 2-guide structure, then 2 lights on 2 intermediary profile

If 3-guide structure, then 4 lights on 2 intermediary profile

If 4-guide structure, then 6 lights on 2 intermediary profile

System components and features:

- Power unit 24V and 60W, 100W, 150W
- Control unit for control from Corradi remote control (Remote control not included)
- 4-pole wiring included
- Hardware and gaskets for assembly on canvas
- RGB lights

Each light is fitted with 6 latest generation LED with specific power and maximum absorption of 24W, emitting 1140 lumen (on white), capable of generating 4700/5300K dimmable white "cold light" comparable to a 75W incandescent light bulb.

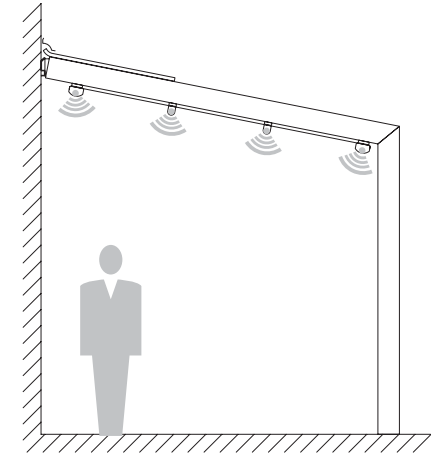
3) EXPERIENCE White CUSTOM (only "WARM" white lights 3200K)

The customisation and feasibility of the requested system must always be analysed and developed by our Orders Office before being confirmed, according to the type of Pergotenda® and, above all, the type of canvas (tilted, flat with valances, flat with trapezoidal canvas, or flat with taut canvas with spacers)

System components and features:

- Power unit 24V 60W/100W/150W according to number of lights requested
- Control unit for control from Corradi remote control (Remote control not included)
- 2-pole wiring included
- Hardware and gaskets for assembly on canvas
- White Lights

Each light is fitted with 24 latest generation LED with specific power and maximum absorption of 9.6W, emitting 960 lumen, capable of generating 3200K dimmable white "warm light" comparable to a 75W incandescent light bulb.



4) MULTISENSORY EXPERIENCE (RGB LIGHTS WITH "COLD" WHITE 5200K, AUDIO AND FRAGRANCE)

System equipped with RGB lights, audio speakers and fragrance dispenser managed from a control unit capable of managing up to 2 lines with 3 lights each (so two sections each illuminated by 3 lights giving a total of 6 lights), 4 audio speakers and 4 fragrances dispensers.

This system is managed solely via a dedicated remote control.

System components and features:

- Control unit for remote control of lights, audio and fragrance dispenser
- Dedicated remote control
- Speakers
- Fragrance dispenser(s)
- Wiring
- Hardware and canvas gaskets
- RGB lights

Each light is fitted with 6 latest generation LED with specific power and maximum absorption of 8.4W, emitting 920 lumen (on white), capable of generating 4700/5300K dimmable white "cold light" comparable to a 75W incandescent light bulb.

Technical features of components:

The **LIGHTS**, perfectly integrated into the intermediate cross-bar tubes, are appropriately distributed to meet any lighting requirement.

The RGB version of the same module can also emit RGB coloured light by selecting the required colour (red, green, blue, purple, orange, light blue, light green, lilac) using a simple control.

The LIGHT modules are easily replaced by any Corradi technician, are low voltage (24V) and protected against atmospheric agents. They are specially designed and developed to be applied to Corradi structures in compliance with all the safety regulations required by the market (IP 54).

The **AUDIO SYSTEM** is a sound system comprising speakers that deliver 25 W each and appropriately sized to be housed above the canvas, so are invisible to the user.

A special control board is equipped with an FM tuner and Bluetooth capability for listening to music either via the remote control or through Bluetooth.

The **FRAGRANCE DISPENSER** is specially designed to be housed inside the terminal tube on the wall and powered at 24V.

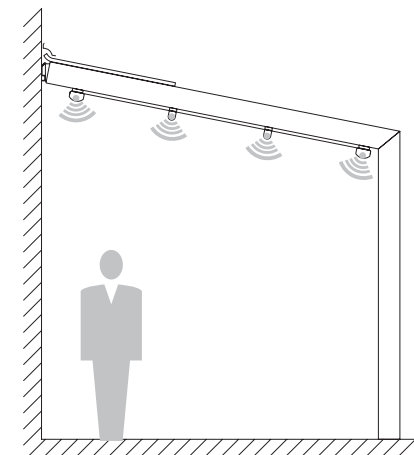
The fragrances are vaporised at a consistency that prevents unpleasant "spraying" over the user.

Programming when and how strongly fragrances are dispensed is done on the diffuser's electronic board.

The cylinders have a capacity of 200 ml and are guaranteed to last around 2.000 sprays.

The fragrances especially designed for Corradi Experience are:

- Mosquito free
- Metal wood



ASSEMBLY OF LINES

1

ASSEMBLY REQUIRED IN THE EVENT OF A NOT ASSEMBLED CANVAS

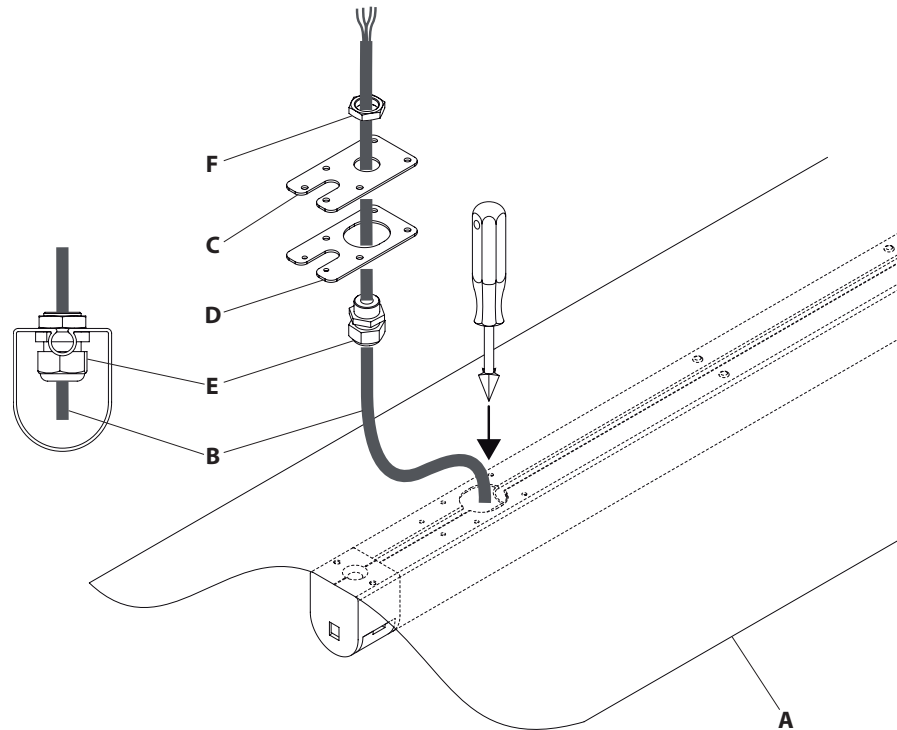


Fig. 1 - Light tubes (to be done only on structures over 6 m)

Insert the cable (B) within the fairlead (E) and in order to prevent the passage of water, tighten it firmly before proceeding with the following steps.

Use the appropriate drill to drill the canvas (A) at the height of the passage of the cables (B) and place the same through the canvas (A), the plate (C), the seal (D), the fairlead (E) and the nut (F).

NB: The grey fairlead will be positioned with the protruding part inside the tube.

ASSEMBLY REQUIRED IN THE EVENT OF A NOT ASSEMBLED CANVAS

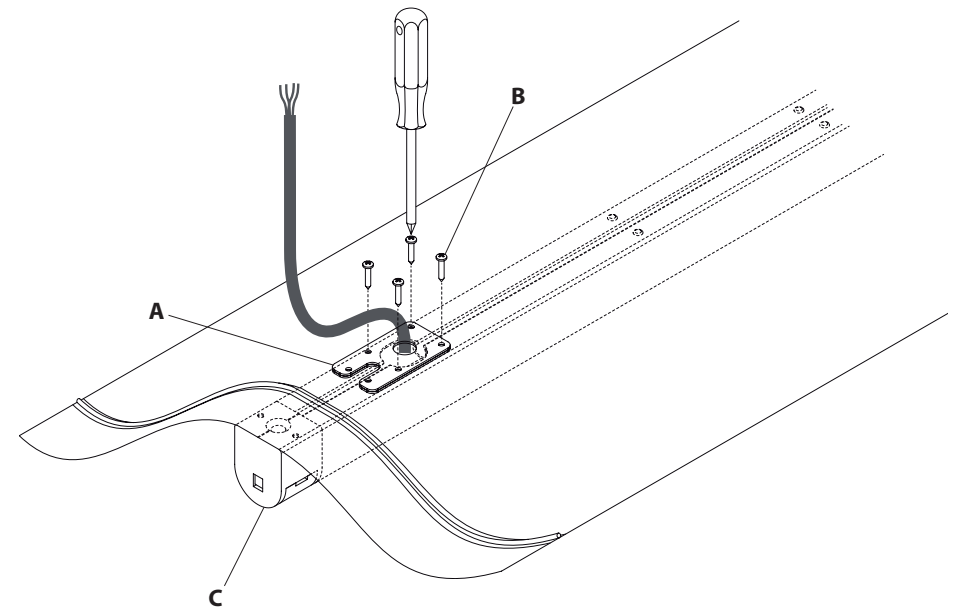
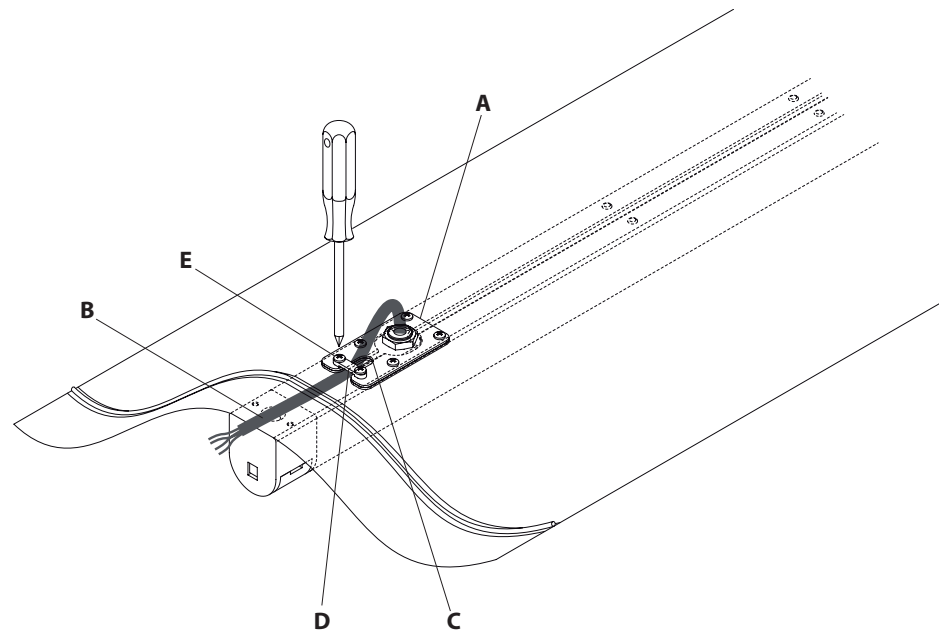


Fig. 2 - Lights tube

Position the plates (A) and the relative gaskets with the open side facing out and fasten them using the self-tapping screws (B), taking care to centre them in the holes on the terminal (C).

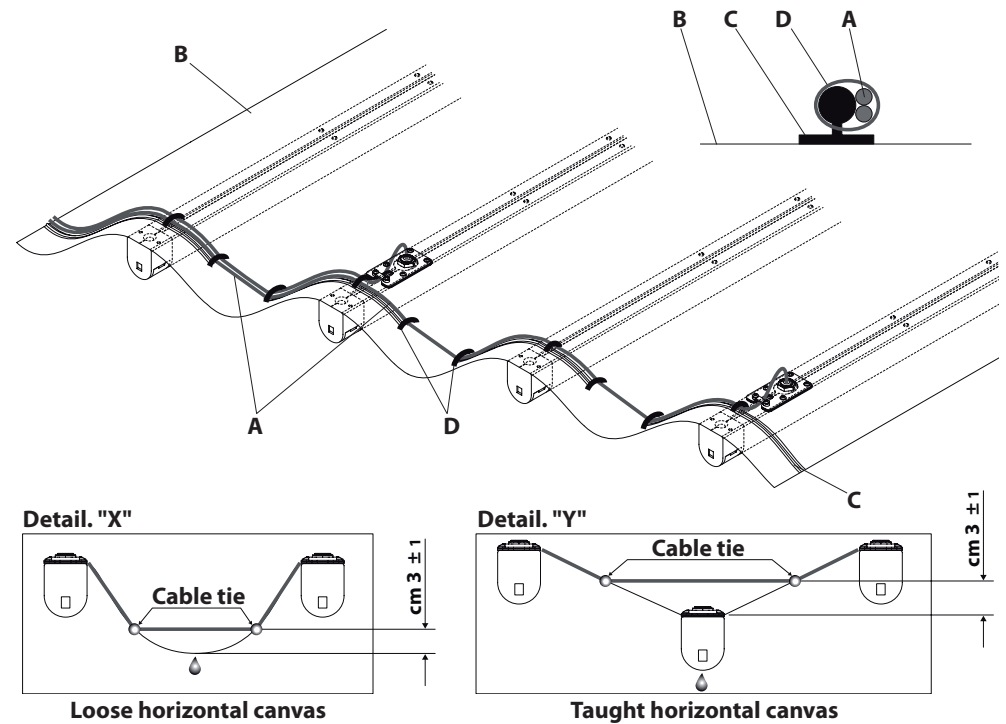
ASSEMBLY REQUIRED IN THE EVENT OF A NOT ASSEMBLED CANVAS

**Fig. 3 - Lights tube**

When the plates (A) are fastened, bend the cable (B) back inside slot (C) and secure it in place using the grey plastic cable clamp (D).

Fasten the cable clamp (D) using two self-tapping screws (E).

THIS OPERATION MUST BE CARRIED OUT AFTER THE CANVAS HAS BEEN INSTALLED ON THE FULL EXTENT OF THE PERGOTENDA

**Fig. 4 - Light tube**

Lay the cables (A) on the canvas (B) along the antidrip border (C), drill the border using a small screwdriver and attach the cables to the border itself through the cable ties (D).

NOTE: Be sure that with the movement of the fabric the cables do not go into traction. In the case of a loose or horizontal canvas, the cables are not supposed to adhere to the canvas itself (Det. "X" - "Y"), in order to allow the discharge of the water.

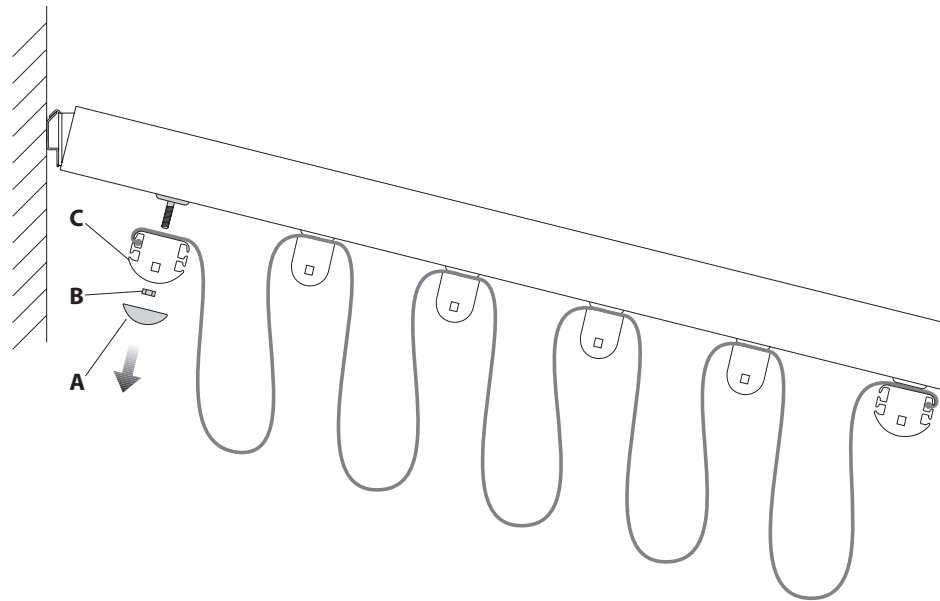


Fig. 5

Remove the caps (A), unscrew the nuts (B) fastening the terminal to the wall (C) and uncover the technical area underneath the protection covers.

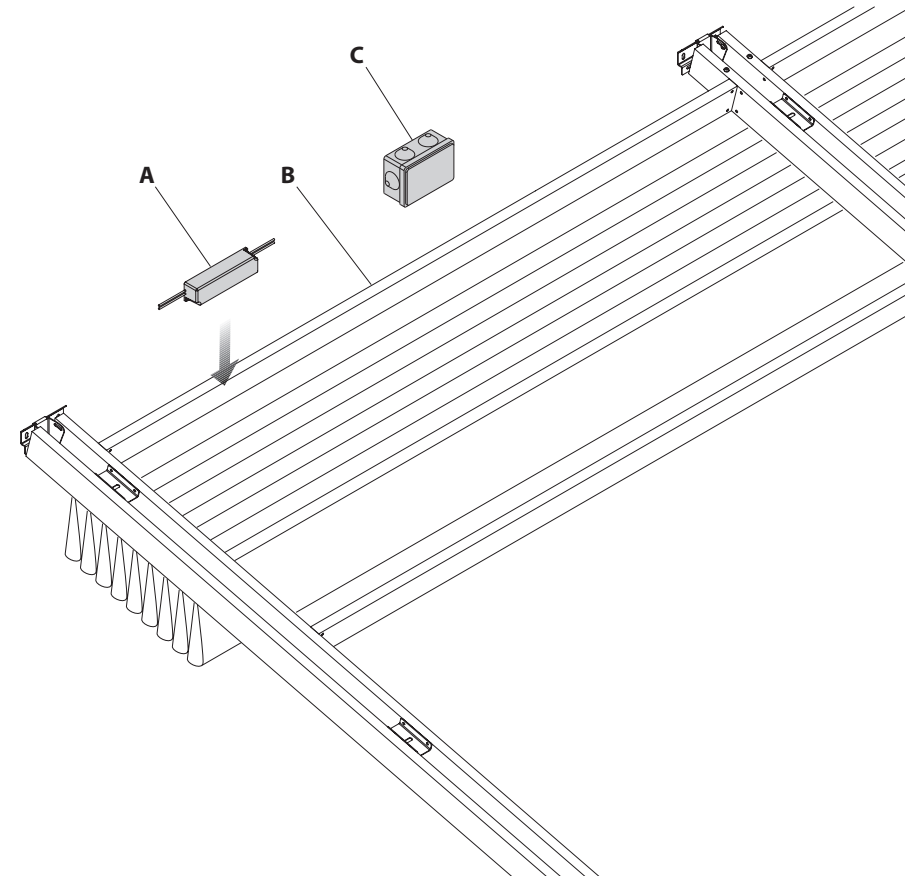


Fig. 6

Attach the power supply (A) to the crossbar that holds the protection covers (B) or to the wall using self-drilling screws (A) or those for chipboard (wood). Install the box (C) which will house the control unit Led Ego next to the power supply (A).

EXPERIENCE WHITE (Standard o Custom)

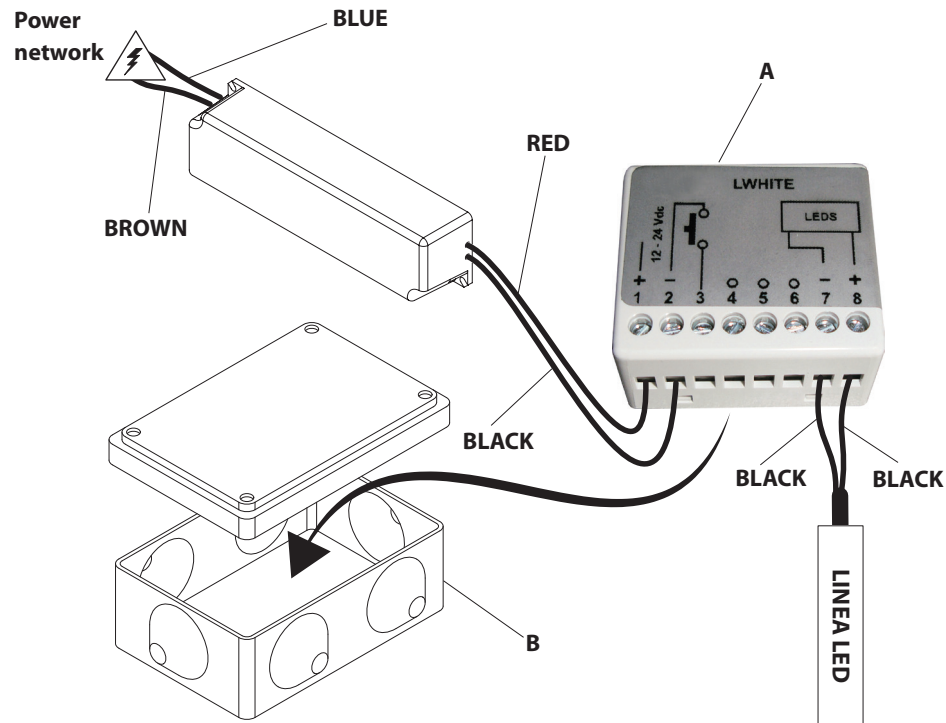


Fig. 7 - Power supply - control with control unit, dimmable light

Install the control unit (A) inside the IP box (B) (making sure that the antenna comes out of the box via a fairlead) and secure it next to the power supply on the crossbar that holds the protection covers. Cut the cables to fit and attach them to the control unit by following the instructions below. To register the remote control follow the instructions contained in the handbook "Motors and Controls".

EXPERIENCE WHITE (Standard o Custom)

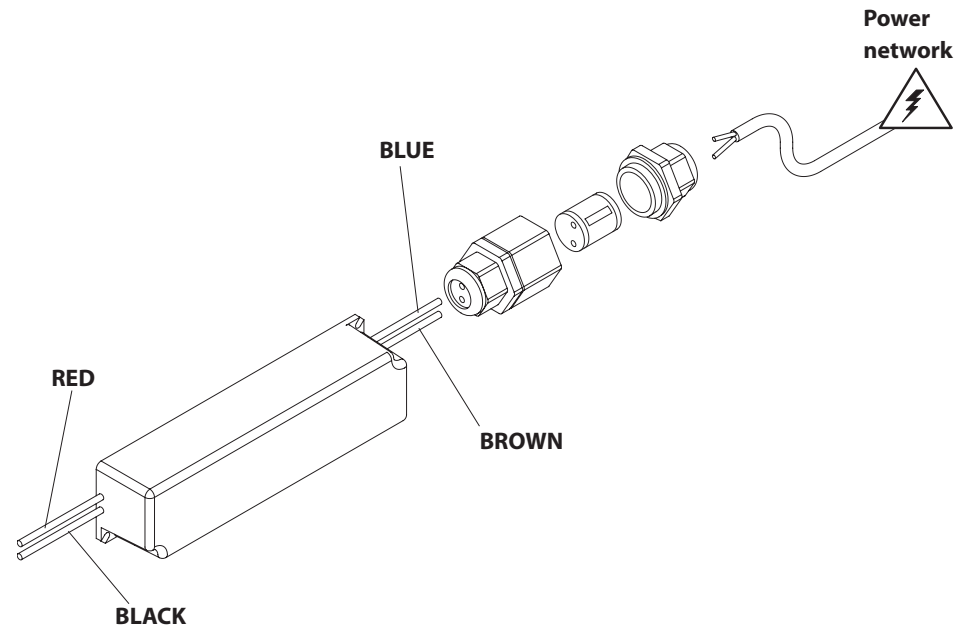


Fig. 7a - Power network connection

Cut the wires of the power grid to fit and connect them to the power supply via the IP terminal blocks (TeeTube) already installed on the latter, according to the diagram above. Connect the line coming out of the TeeTube to the electricity grid (this operation has to be carried out by the customer).

ELECTRICAL CONNECTIONS

2

CUSTOM WHITE (with more than two lines)

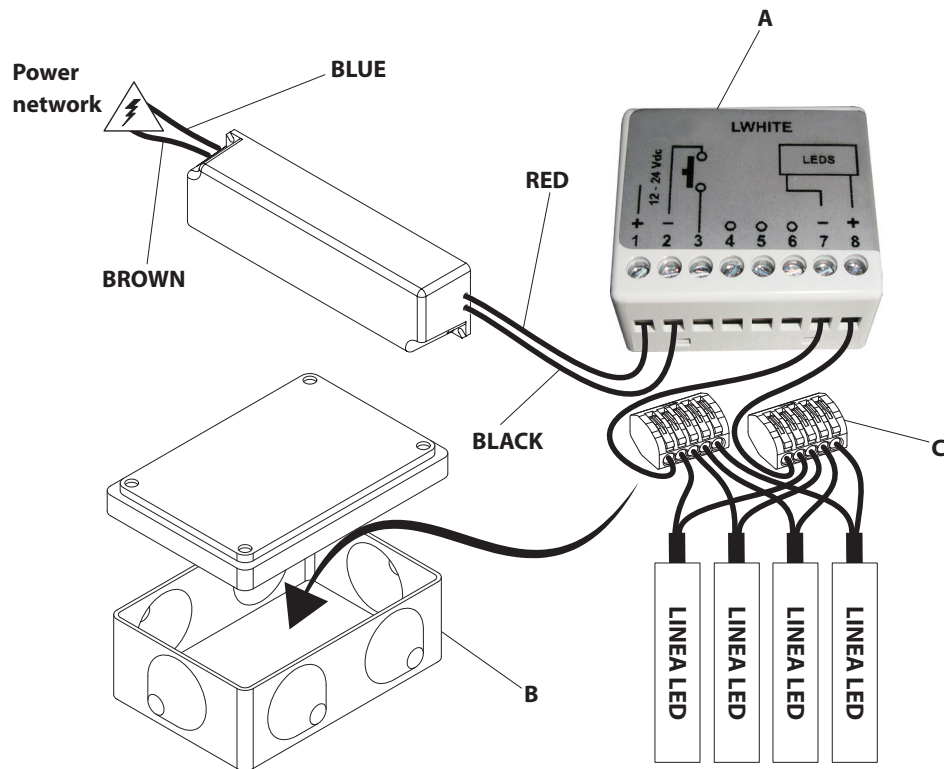


Fig. 8 - Power supply - control with control unit, dimmable light

Install the control unit (A) inside the IP box (B) (making sure that the antenna comes out of the box via a fairlead) and secure it next to the power supply on the crossbar that holds the protection covers. Cut the cables to fit and attach them to the conductor compact connector (C).

Connect the conductor compact connector (C) to the control unit (A).

House all components inside the IP box (B).

To register the remote control follow the instructions contained in the handbook "Motors and Controls".

CUSTOM WHITE (with more than two lines)

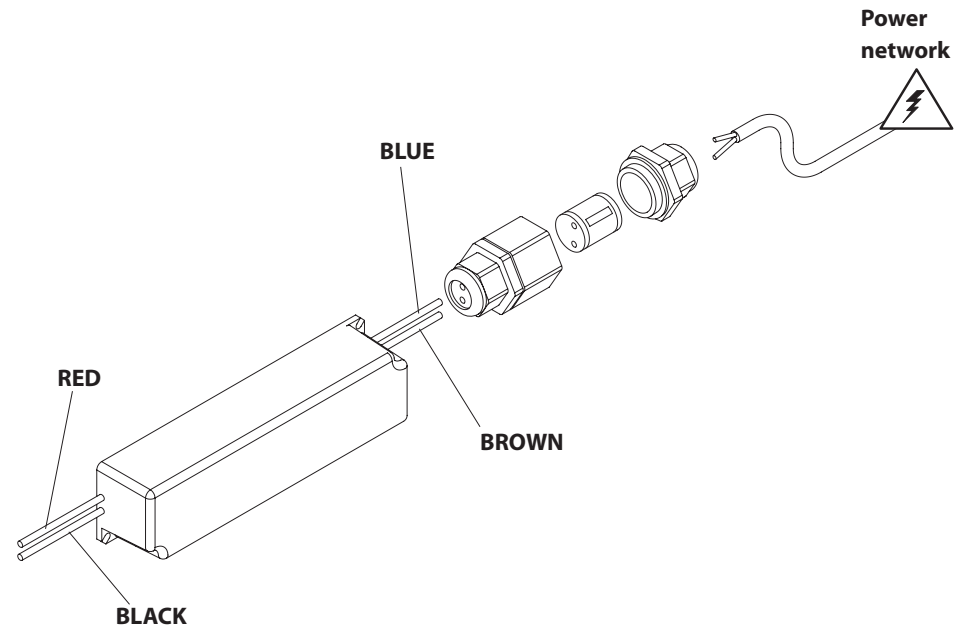


Fig. 8a - Power network connection

Cut the wires of the power grid to fit and connect them to the power supply via the IP terminal blocks (TeeTube) already installed on the latter, according to the diagram above. Connect the line coming out of the TeeTube to the electricity grid (this operation has to be carried out by the customer).

EXPERIENCE RGB (Standard)

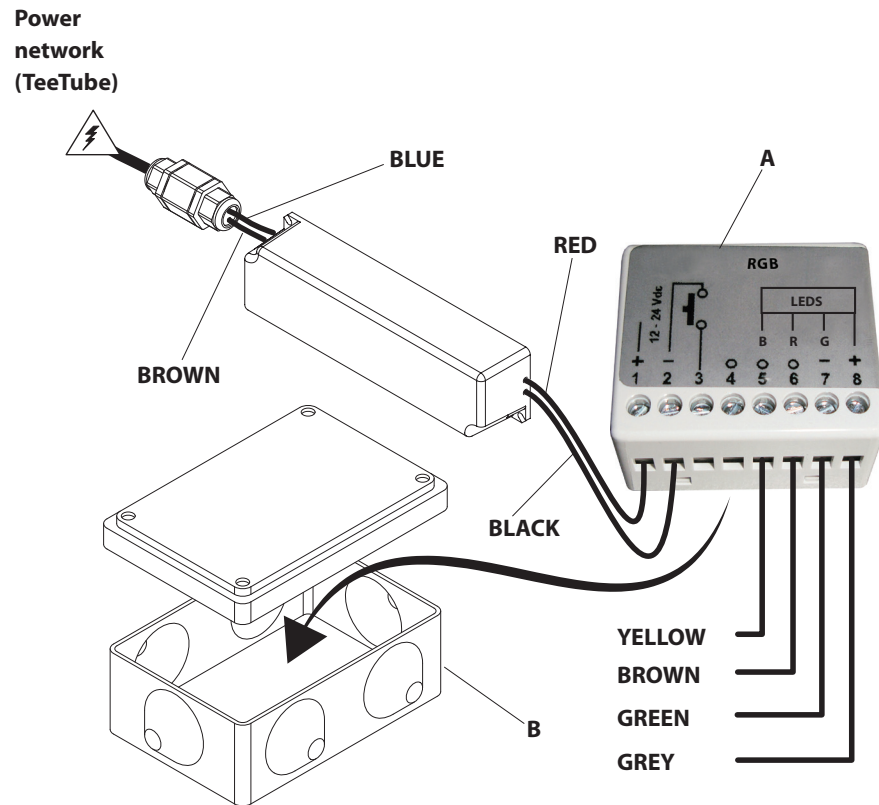


Fig. 9 - Power supply - control with control unit, dimmable light

Install the control unit (A) inside the IP box (B) (making sure that the antenna comes out of the box via a fairlead) and secure it next to the power supply on the crossbar that holds the protection covers. Cut the cables to fit and attach them to the control unit by following the instructions below. To register the remote control follow the instructions contained in this handbook "Motors and Controls".

EXPERIENCE RGB (Standard)

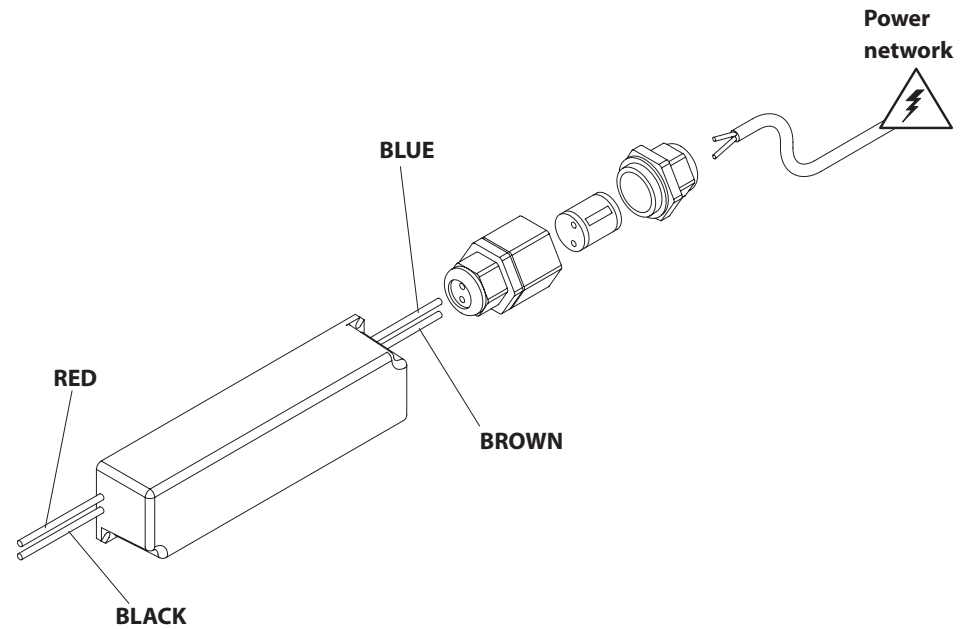


Fig. 9a - Power network connection

Cut the wires of the power grid to fit and connect them to the power supply via the IP terminal blocks (TeeTube) already installed on the latter, according to the diagram above. Connect the line coming out of the TeeTube to the electricity grid (this operation has to be carried out by the customer).

WHITE Version

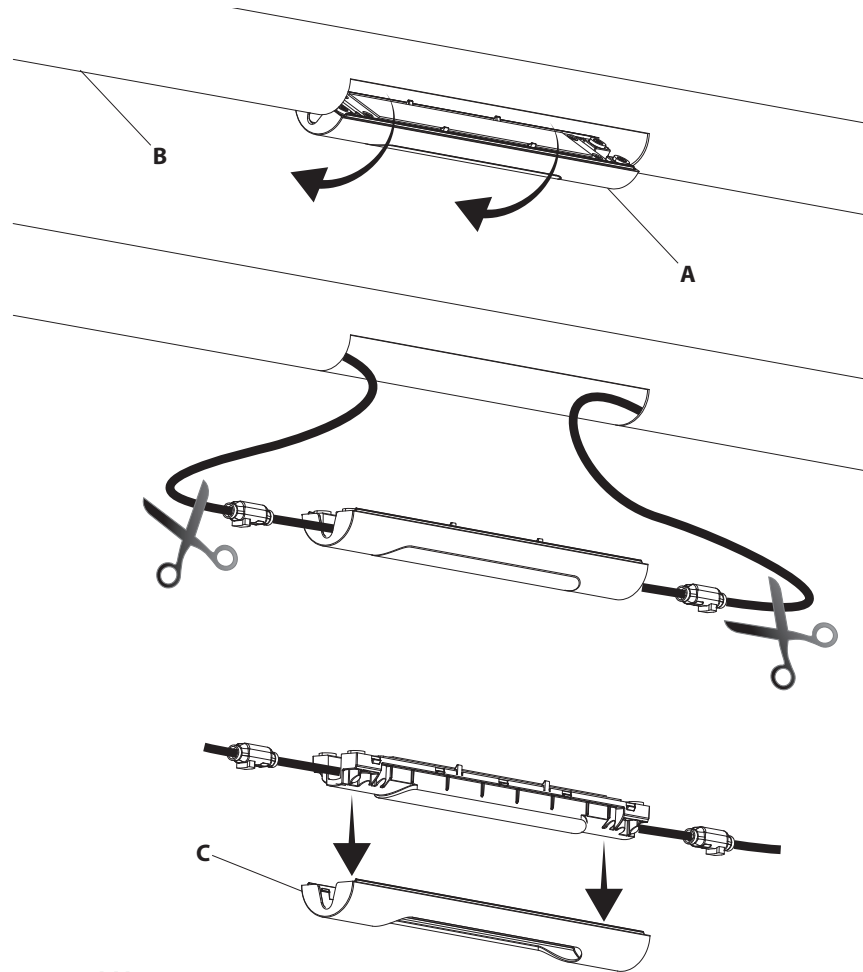


Fig. 10 - Old lamp

Remove the lamp unit (A) from the tube (B) by exerting a rotational movement to decrease the outlet of the magnets.

Cut the wires over the connector as shown in the central image.

Remove the cover (C) from the lamp.

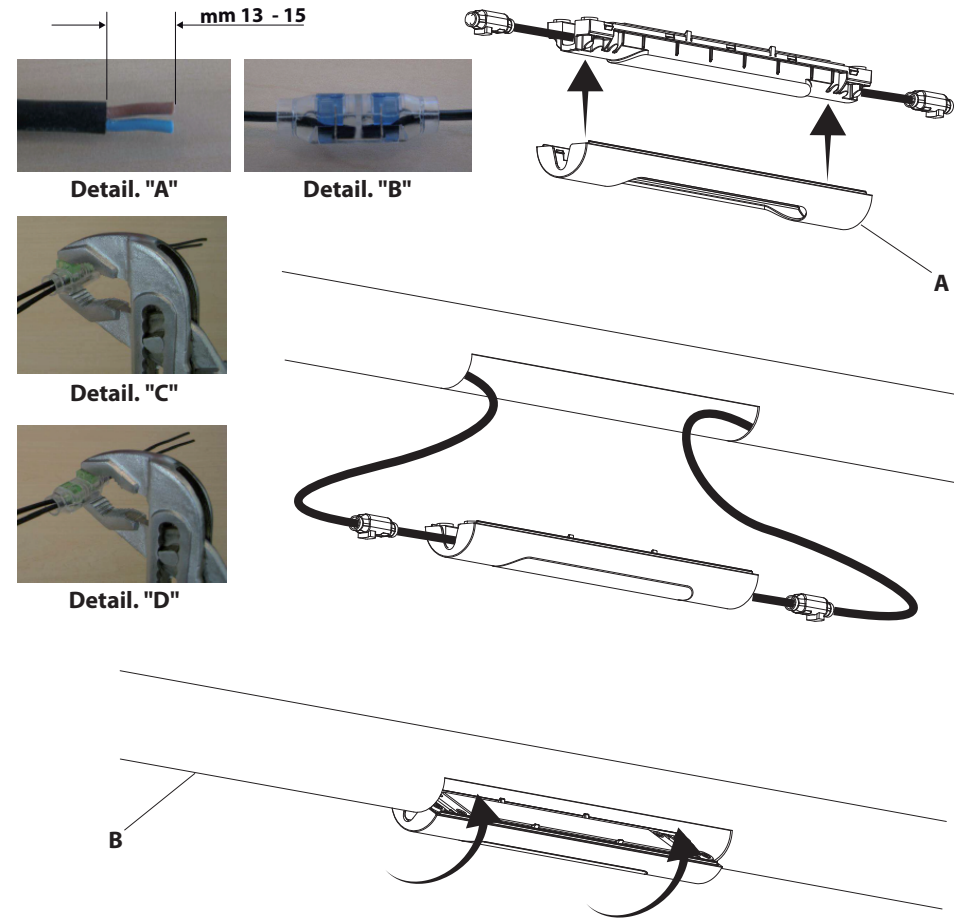


Fig. 11 - New lamp

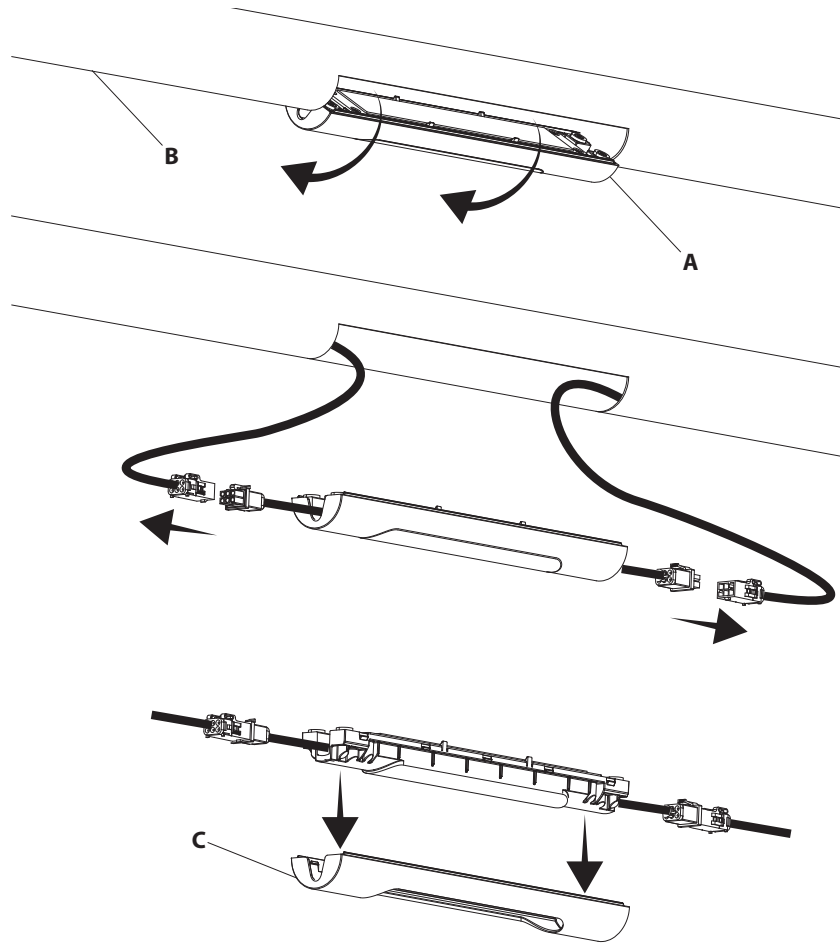
Cut off the cables as in "Detail A" and insert them to the bottom of the connectors "Detail B" then, using a pair of pliers, crimp pressing the two buttons "Detail C - D".

Replace the cover (A) on the lamp.

Bring the lamp to its seat in the tube (B).

Insert the wired lamp in its seat of the tube (B).

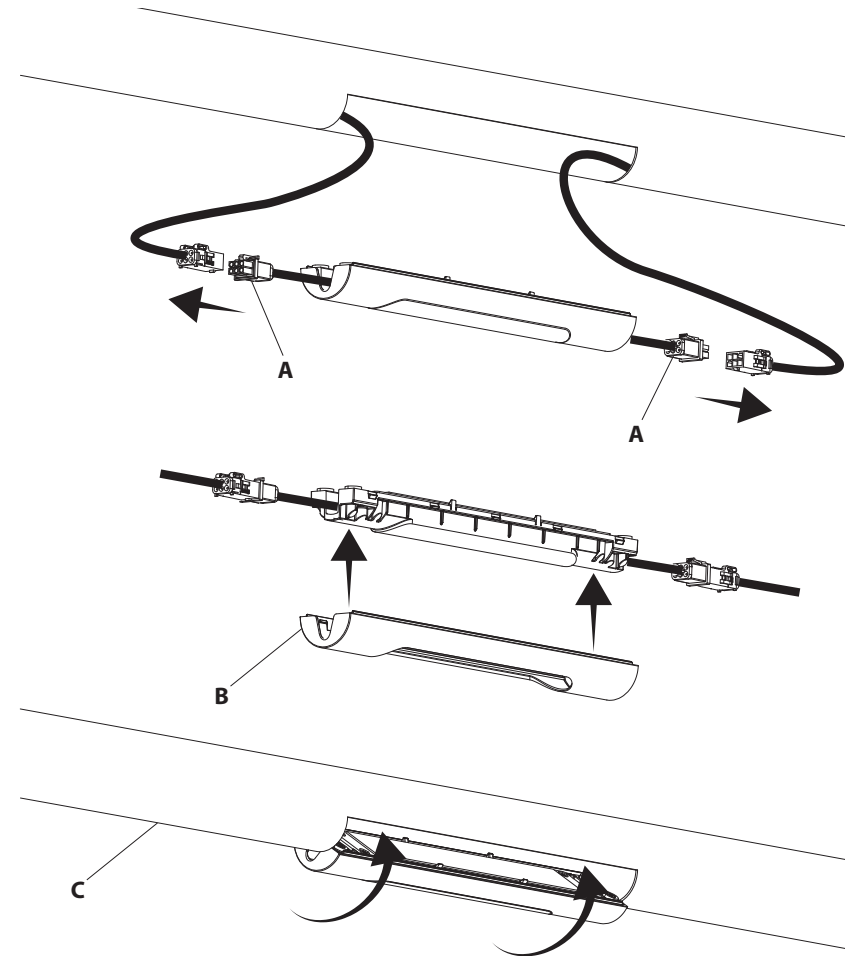
RGB Version

**Fig. 12 - Old lamp**

Remove the lamp unit (A) from the tube (B) by exerting a rotational movement to decrease the outlet of the magnets.

Disconnect the wires as shown in the central image.

Remove the cover (C) from the lamp.

**Fig. 13 - New lamp**

Reconnect the connectors (A)

Replace the cover (B) on the lamp.

Bring the lamp to its seat in the tube (B).

Insert the wired lamp in its seat of the tube (C).

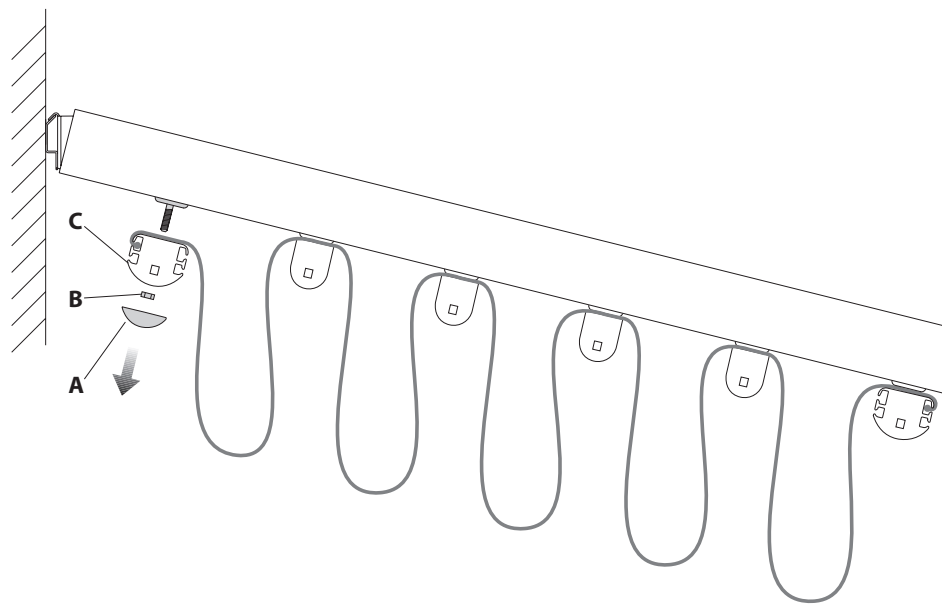


Fig. 14

Remove the caps (A), unscrew the nuts (B) fastening the terminal to the wall (C) and uncover the technical area underneath the protection covers.

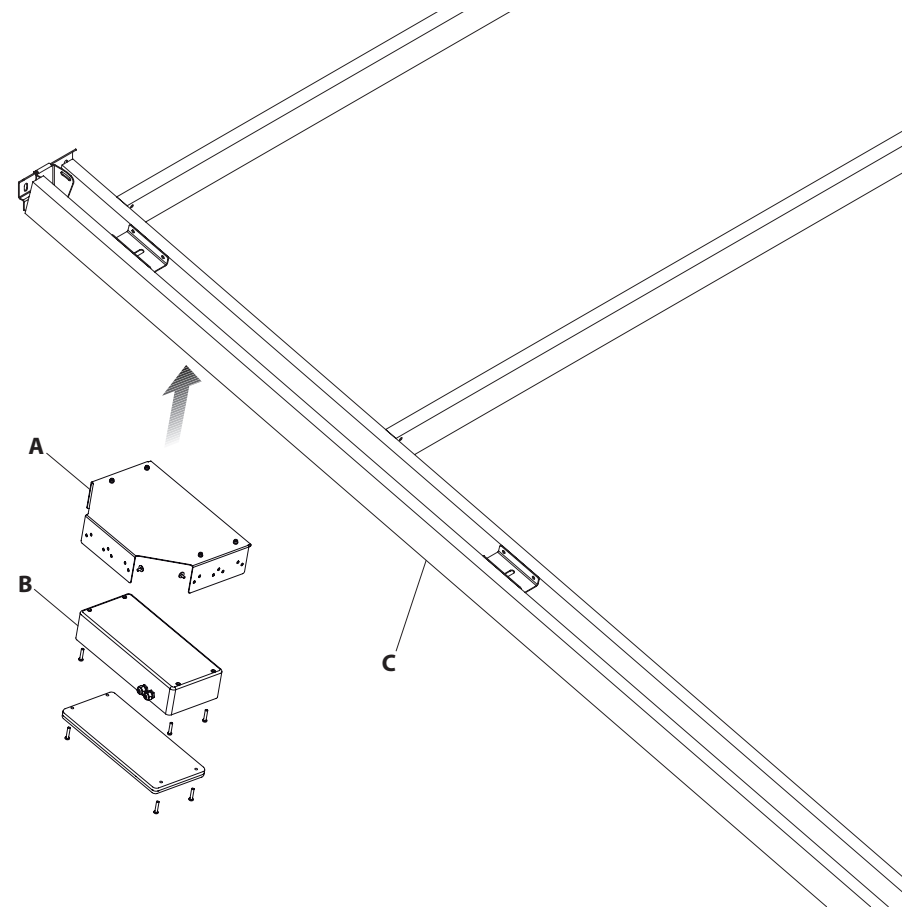


Fig. 15

Fasten the support bracket (A) of the control unit (B) to the guides and the runner cross-bars (C) using self-drilling (Al) or particle board screws (wood).

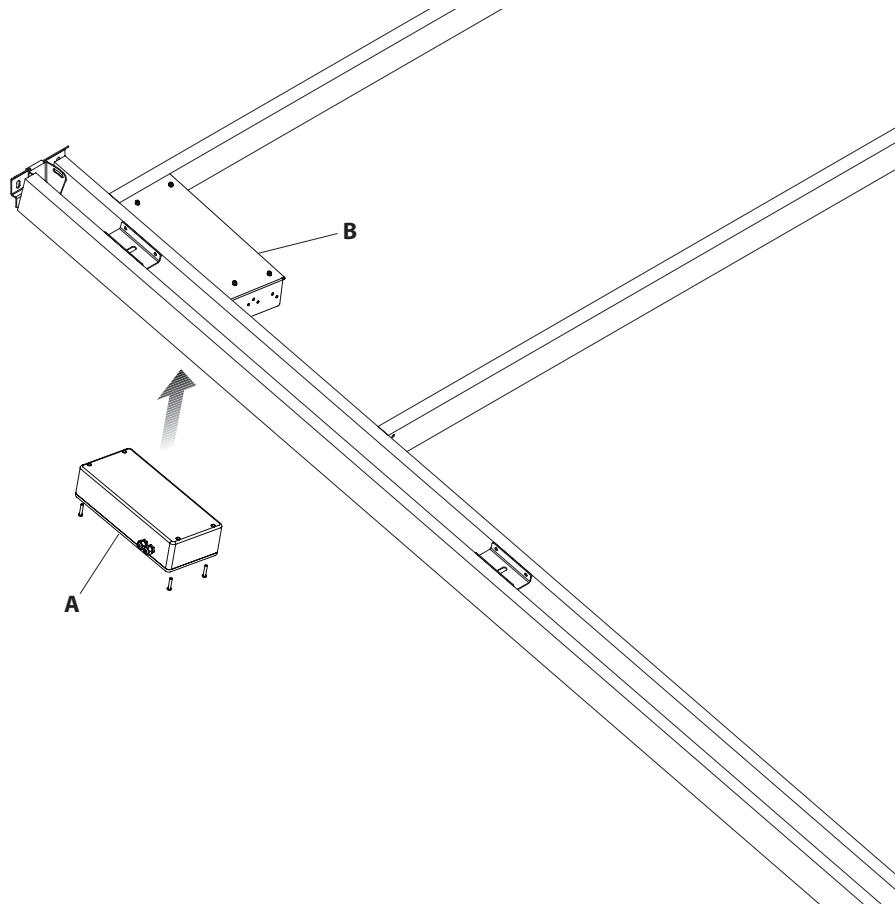


Fig. 16
Fasten the control unit (A) to the support bracket (B) using screws M6x30.

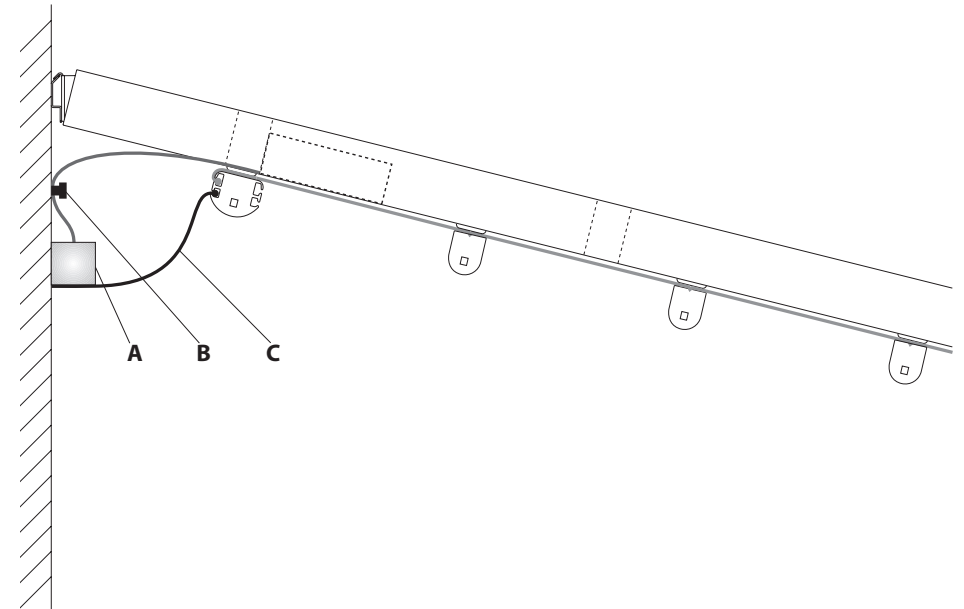


Fig. 17
Fasten the speaker cable (A) to the wall using a clamp (B) and rest the speaker inside the pelmet (C).

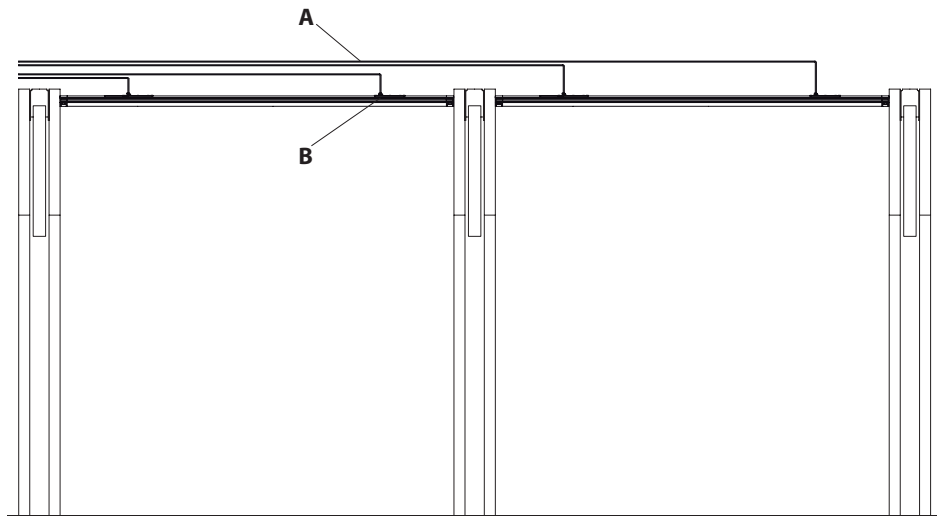


Fig. 18
Cut the cable (A) of the speakers (B), leaving 50 cm extra.

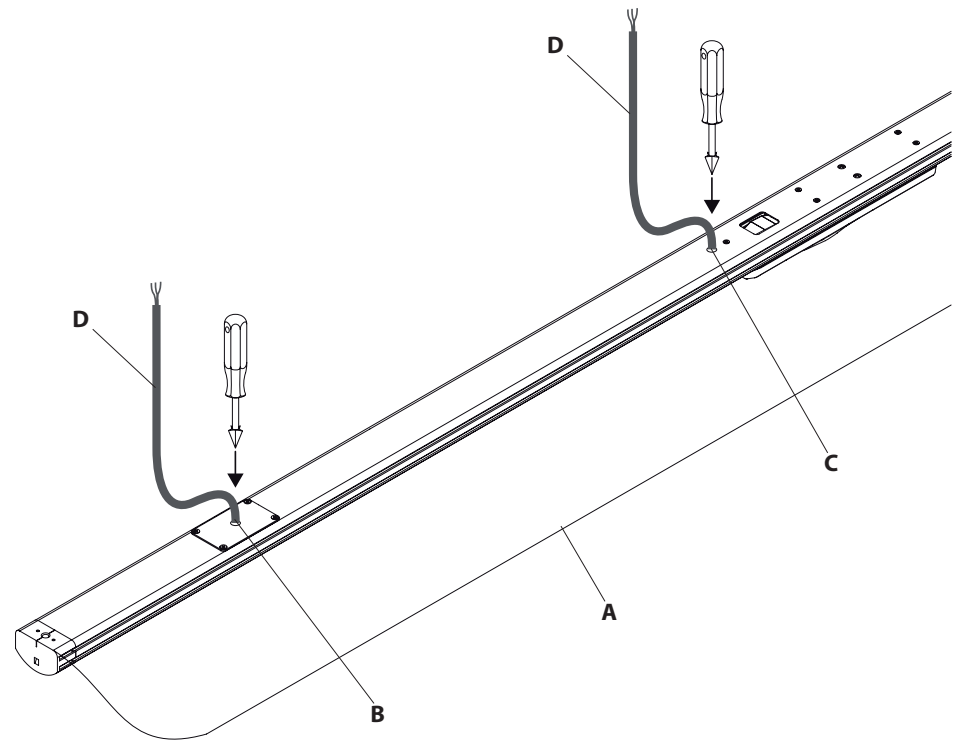


Fig. 19 - Terminal tube
Make a hole in the canvas (A) where the cables (D) of the IR socket (B) and fragrance dispensers (C) are routed, and position them across the canvas.

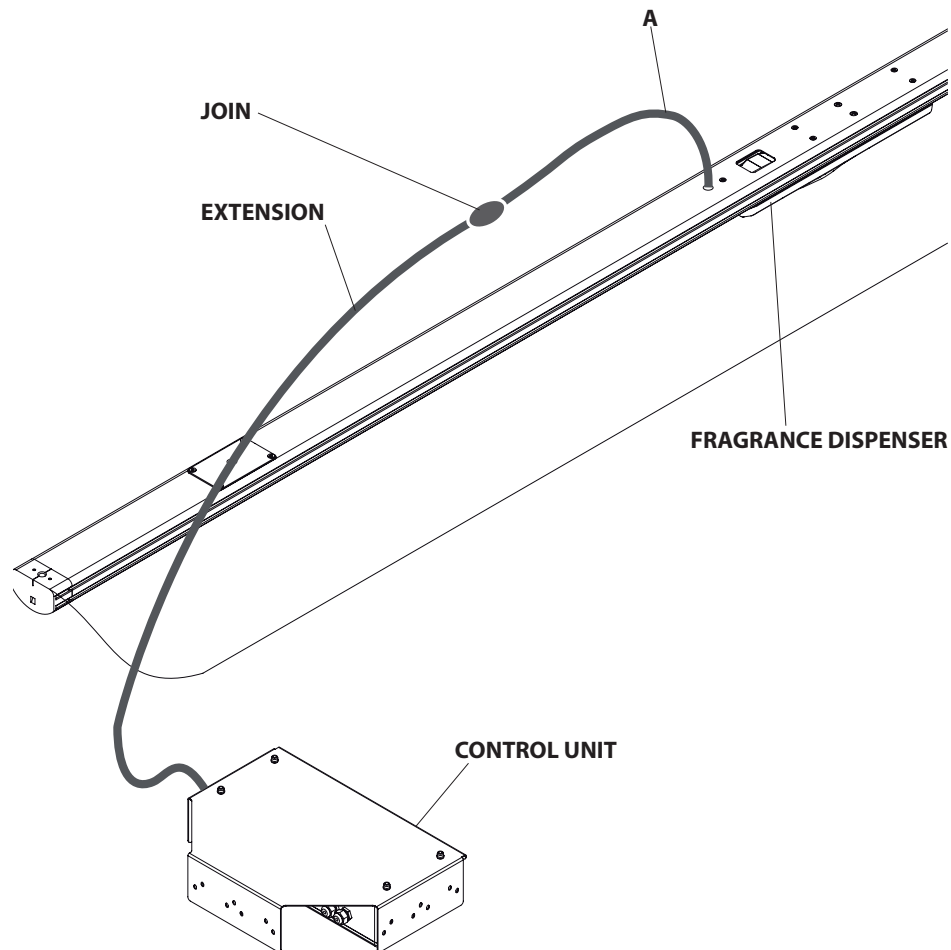


Fig. 20 - Terminal tube

Use the cable cut from the speakers to extend the fragrance dispenser wiring (A).

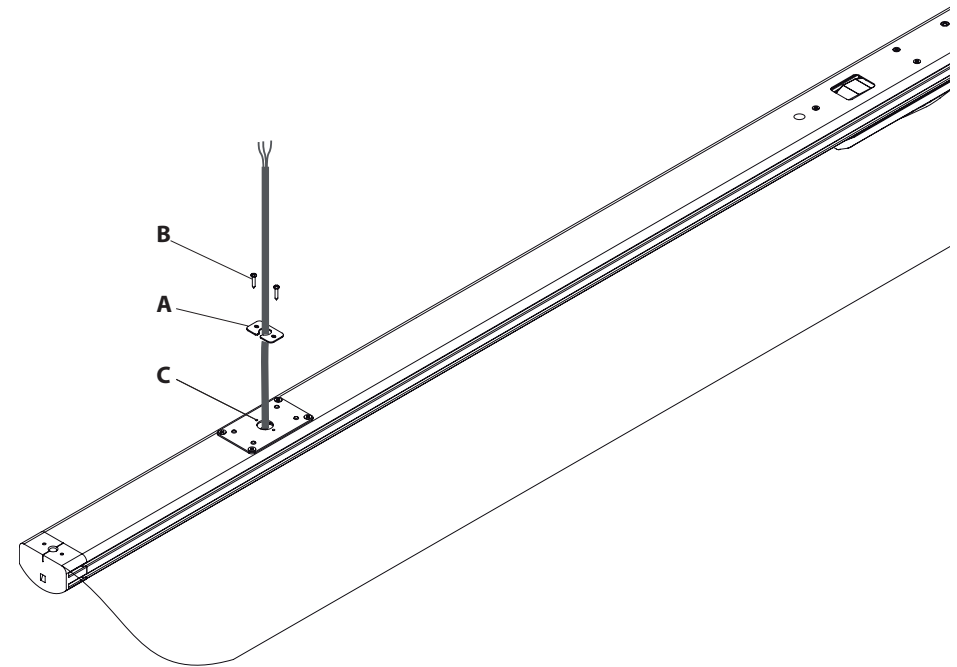


Fig. 21 - Terminal tube

Position the plates (A) on all cables coming out of the terminal and fasten them using the self-tapping screws (B), taking care to centre them in the holes on the terminal (C).

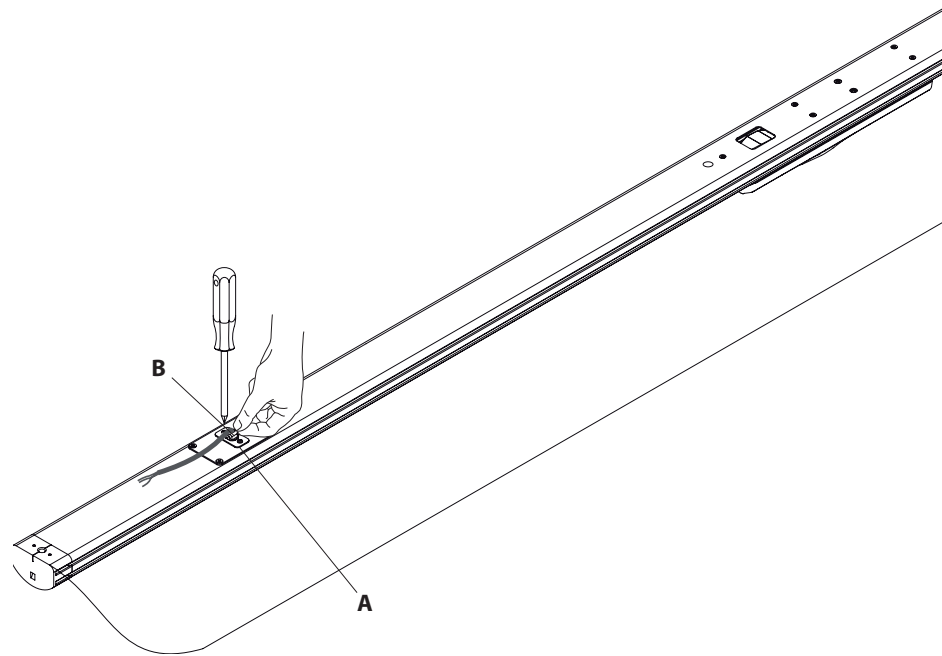


Fig. 22 - Terminal tube

When the plates (A) are fastened, close the cable clamps (B) on the cables and push them into place in the plates (A).

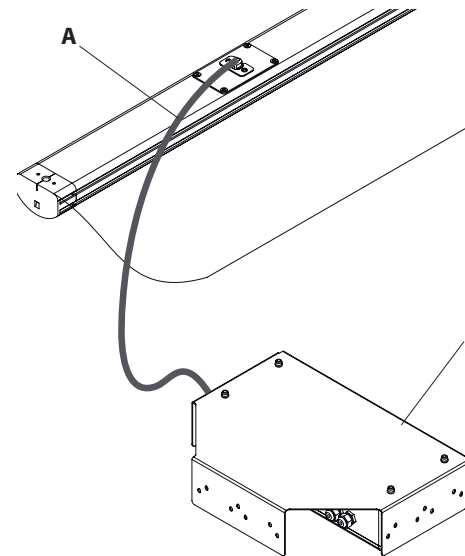
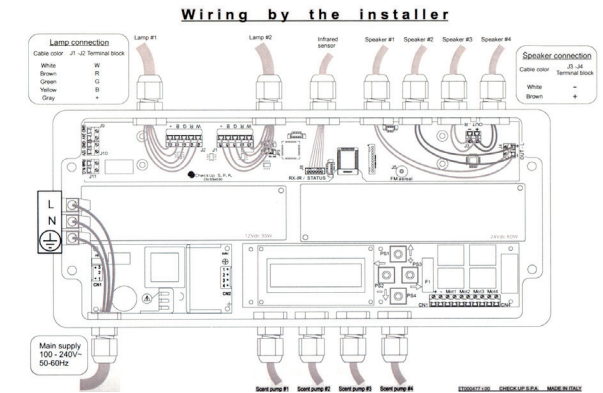


Fig. 23 - Terminal tube

Cut the cables (A) to size and connect them to the control unit (B) as indicated in the wiring diagrams.

N.B.: the cable of the IR socket should be connected without modifications.

ASSEMBLY REQUIRED IN THE EVENT OF A NOT ASSEMBLED CANVAS

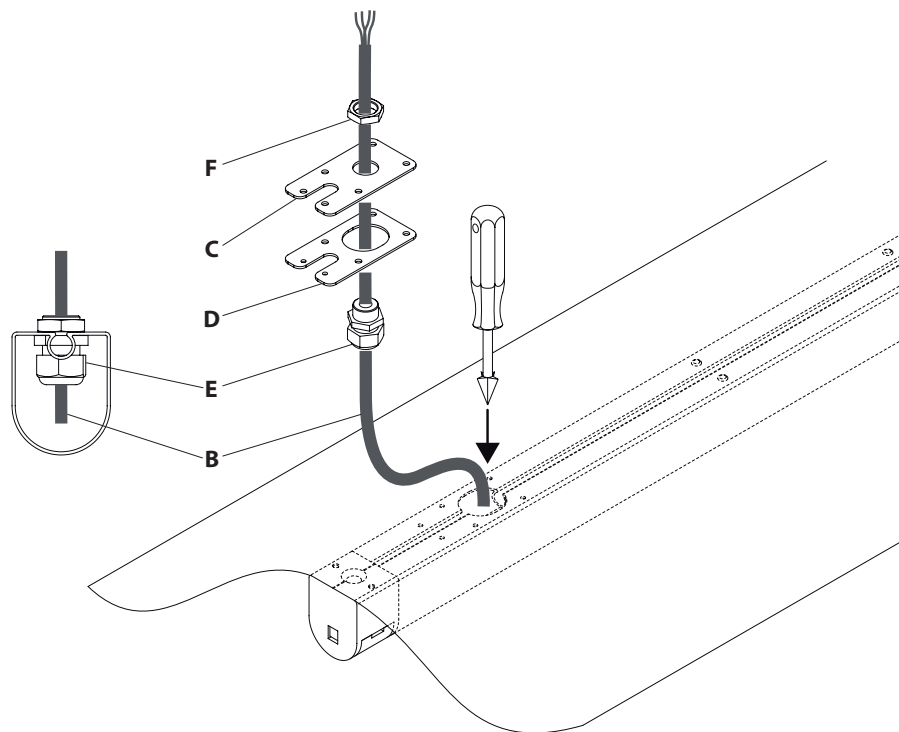


Fig. 24 - Light tubes (to be done only on structures over 6 m)

Insert the cable (B) within the fairlead (E) and in order to prevent the passage of water, tighten it firmly before proceeding with the following steps. Use the appropriate drill to drill the canvas (A) at the height of the passage of the cables (B) and place the same through the canvas (A), the plate (C), the seal (D), the fairlead (E) and the nut (F).

NB: The grey fairlead will be positioned with the protruding part inside the tube.

ASSEMBLY REQUIRED IN THE EVENT OF A NOT ASSEMBLED CANVAS

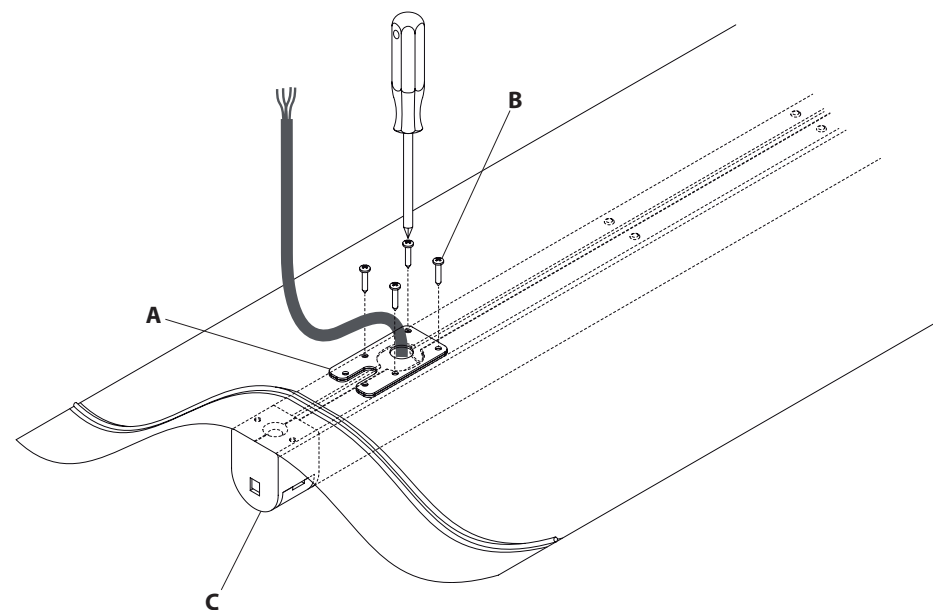


Fig. 25 - Lights tube

Position the plates (A) and the relative gaskets with the open side facing out and fasten them using the self-tapping screws (B), taking care to centre them in the holes on the terminal (C).

ASSEMBLY REQUIRED IN THE EVENT OF A NOT ASSEMBLED CANVAS

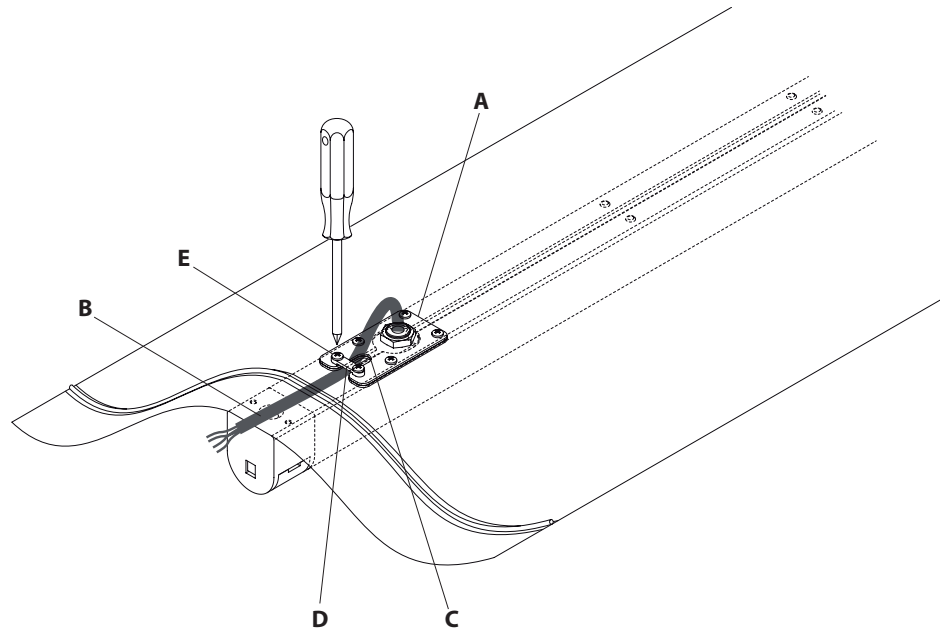


Fig. 26 - Lights tube

When the plates (A) are fastened, bend the cable (B) back inside slot (C) and secure it in place using the grey plastic cable clamp (D).

Fasten the cable clamp (D) using two self-tapping screws (E).

THIS OPERATION MUST BE CARRIED OUT AFTER THE CANVAS HAS BEEN INSTALLED ON THE FULL EXTENT OF THE PERGOTENDA

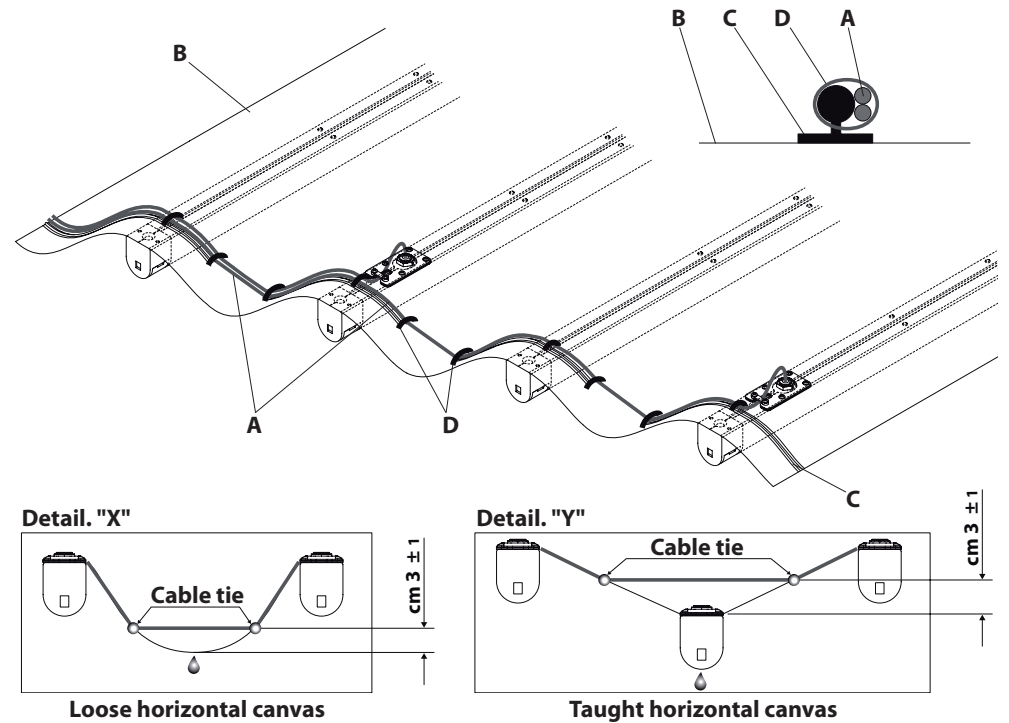
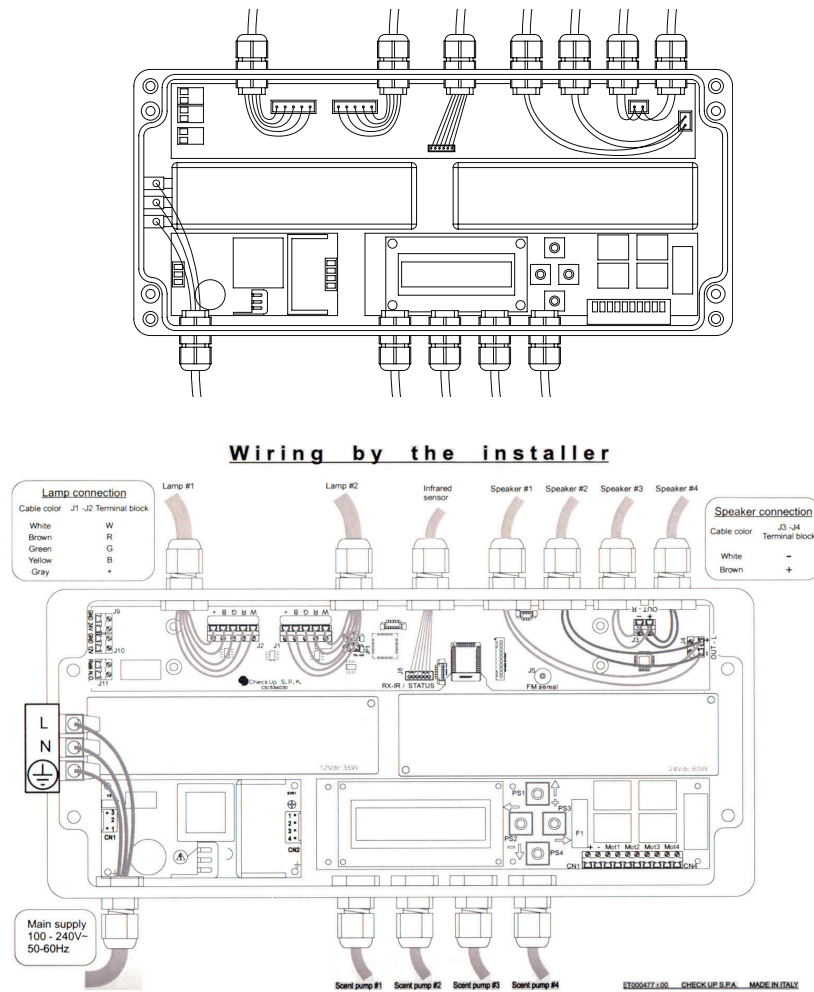


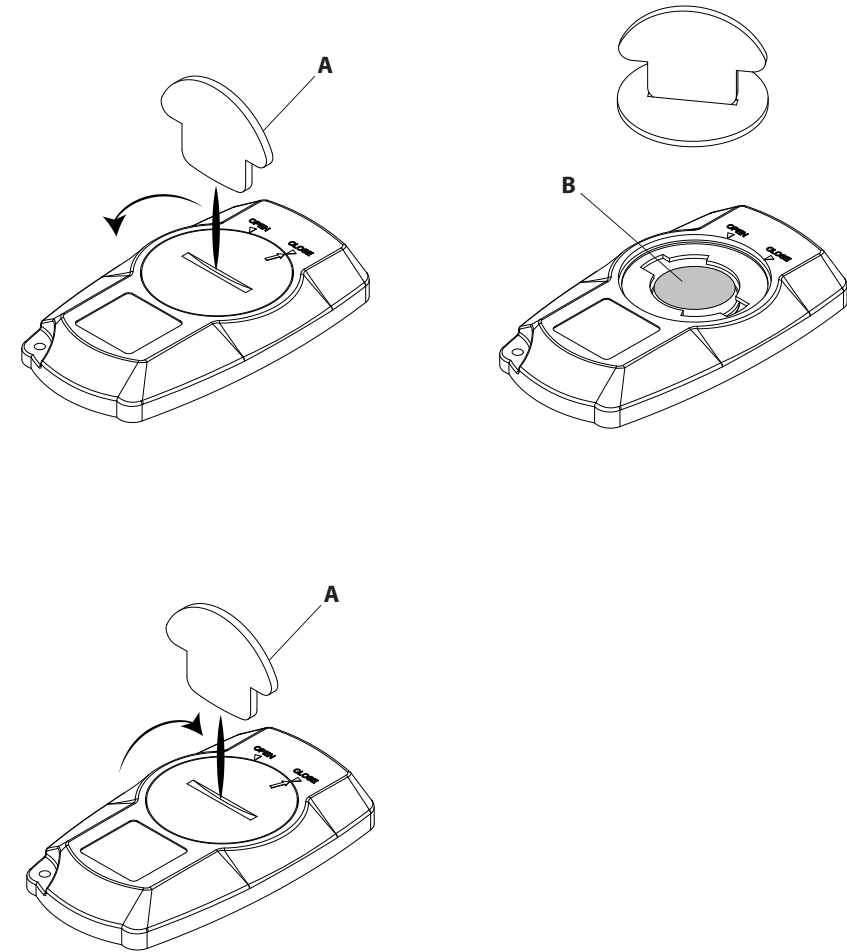
Fig. 27 - Light tube

Lay the cables (A) on the canvas (B) along the antirip border (C), drill the border using a small screwdriver and attach the cables to the border itself through the cable ties (D).

NOTE: Be sure that with the movement of the fabric the cables do not go into traction. In the case of a loose or horizontal canvas, the cables are not supposed to adhere to the canvas itself (Det. "X" - "Y"), in order to allow the discharge of the water.

**Fig. 28 - Lights tube**

Cut the cables to size and connect them to the control unit as indicated in the wiring diagram on the box cover.

**Fig. 29 - Remote control**

Open the flap using tool (A).
Remove the protective film (B) from the battery.
Close the flap using tool (A).

CORRADIGROUP

Corradi SpA

39, Via G. Brini 40128 Bologna - Italy

T +39 051 4188 411 **F** +39 051 4188 400

E info@corradi.eu

Corradi System Srl

18, Via A. Einstein 47122 Forlì - Italy

T +39 0543 796617 **F** +39 0543 794339

E corradisystem@corradi.eu

Corradi
OUTDOOR LIVING SPACE

www.corradi.eu