



Ermetika XL

Installation Manual | EN

INSTALLATION MANUAL

TRANSLATION FROM THE ORIGINAL LANGUAGE

Dear Installer

This manual contains advice for a rapid and precise installation of the various components. Although we are sure that you know how to use our products we still recommend that you read our indications carefully.

We always welcome any suggestions or indications on possible improvements to the installation techniques or the layout of the manual.

We would also remind you that during installation you should always use materials that are in full respect of the environment.

It is also good practice to release, in addition to the declaration of conformity as required by law, a final declaration of correct installation according to the specifications in the manual.

ERMETIKA XL is a CORRADI product.

All technical interventions necessary for the installation must be carried out by authorised and specialised technicians.

All unauthorised interventions (tampering, technical modification etc.) during the warranty period will invalidate said warranty.

CORRADI reserves the right to make technical modifications to the components or products, except for the main features, at any time and without prior notice.

INDEX

Symbols.....	3
General precautions	3
General safety warnings.....	3
Precautions and warnings	3
Preliminary check.....	4
Disposing of packaging.....	4
Manual drive.....	4
Radio control.....	4
Wall mounted controls (customer responsibility).....	4
Material check, unpacking and preparation.....	5
Main components and mounting sequence	7
1 Cassette to the ceiling.....	8
2 Cassette to the wall.....	11
3 Installing the guides	12
4 Check laying of guides.....	13
5 Installing the guides with cassette to the ceiling	15
6 Installing the guides with cassette to the wall	16
7 Inserting the terminal in the canvas.....	17
8 Alignment guides	17
9 Manual block.....	18
10 Solution with guides not perfectly vertical	19
11 Inserting "C" guides, removable guides and finishing.....	20
12 Manual operation	22
13 Awning descent and ascent procedure with block automatic standard (gearbox).....	23
14 Awning manual descent - ascent procedure with manual block	24
15 Awning motorised descent - ascent procedure with manual block.....	25
16 Fixing the cassette on millenium	26
17 Fixing the cassette on iridium / flux.....	28
18 Fixing the cassette on Palladia.....	30
CE declaration of conformity	32
Declaration of performance	33



Note:

FOR ELECTRICAL CONNECTIONS AND PROGRAMMING SEE KROG MOTOR AND RECEIVER MANUALS!

SYMBOLS

SYMBOLS

The symbols indicated are used to draw the attention of the installer to arguments of particular importance for the safety of persons, the product or to indicate particular operating conditions.



Attention: general operating note



Attention: greater attention to what you are reading



Attention: general hazard; possible risk for persons, property components



Attention: electrical hazard



Attention: risk of crushing hands



Contact: CORRADI or the authorised retailer

GENERAL PRECAUTIONS



Before undertaking any assembly, maintenance or cleaning operations, make sure that you have fully understood the indications in this manual. Failure to respect the regulations contained herein relieves CORRADI of all responsibility for damage caused to persons, animals, property and/or components. The installation personnel must scrupulously respect the local accident prevention regulations in force.



All electrical connections for movement, installation of automation accessories etc. must only be made by qualified personnel.

If the structure is motorised and installed at a height of less than 250 cm from the ground, the control button must be of the 'dead-man' type and the opening and closing operations must be clearly visible.



In the case of any incompatibility, contact CORRADI.

GENERAL SAFETY WARNINGS

Any improper use of ERMETIKA XL relieves CORRADI of all liability.

When using the awning it is good practice to remember that all moving parts can be a source of danger.



Do not remove any casings after the installation and, if they are removed for maintenance, make sure that before removal the power supply is cut off (in case of motorised movement).

It is recommended never to intervene on moving parts and to ensure that no operator is near to the awning before reactivating it after a technical or maintenance intervention.



It is compulsory to cut off the power supply (if present) when carrying out an installation, repair or adjustment intervention.



It is recommended that a caution sign be placed on the electrical master switch with the following indications:
"Attention! Do not touch. Service personnel at work".

PRECAUTIONS AND WARNINGS

The maintenance and installation personnel (installers, electricians etc.) must have sufficient expertise and psychophysical and attitudinal requirements for undertaking the tasks at hand. Always check the correct mounting and working efficiency of the electrical and manual drives during the assembly.



In case of anomalies, immediately stop the work and contact the service department of CORRADI.



The use of non-original spare parts, or unauthorised interventions or modifications shall relieve CORRADI of any responsibility for damage caused to persons, animals or property. It is absolutely forbidden to tamper with the fixings, the supports, the guides, the fixtures, the command and idler units and any other component of the ERMETIKA XL awning.



WARNING

All values indicated are expressed in centimetres (unless otherwise specified).

PRELIMINARY CHECKS

On receipt of the packed goods and before starting their assembly, check the integrity of the material and the presence of all the components necessary for the installation. Carefully follow the information contained in the "Material check, unpacking and preparation" section.



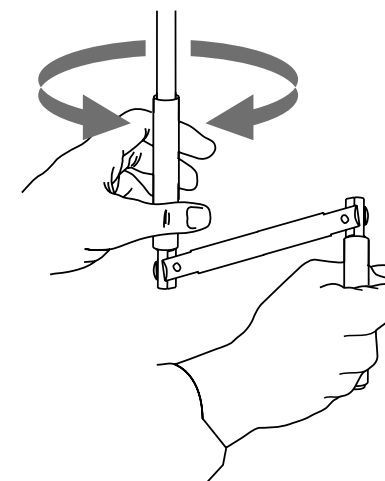
In case of anomalies immediately contact the authorised retailer or CORRADI

DISPOSING OF PACKAGING

Separate the various packaging materials into their different categories (cardboard, nylon, polystyrene, etc.) and dispose of them as local regulations require.

MANUAL DRIVE

If the ERMETIKA XL is fitted with manual drive, to open and close the canvas, insert the manual winding handle in the seat of the gearbox and turn clockwise (to raise the canvas) or anticlockwise (to lower the canvas).

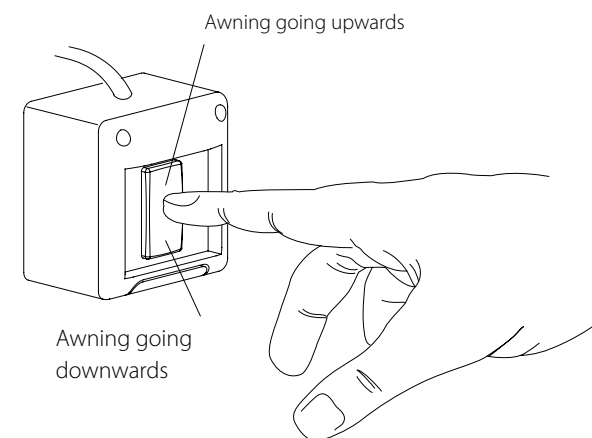


RADIO CONTROL

If ERMETIKA XL is equipped with radio control motor drive, use the respective buttons (see figure) to raise, lower and stop the canvas and the directions and the info provided in the user manual of the radio control chosen.

WALL MOUNTED CONTROLS (CUSTOMER RESPONSIBILITY)

To lower the canvas, press the lower part of the button, to raise the canvas, press the upper part. When the button is released the canvas will stop its movement immediately.



MATERIAL CHECK, UNPACKING AND PREPARATION

CORRADI Via Brini, 39 40128 Bologna (ITALIA) tel.051-4188411 - Fax.051-4188400	Corradi OUTDOOR LIVING SPACE
Cliente / Customer: XXXXXX	
Indirizzo / Address: XXXXXXXXXXXX XXXXXXXXXXXXXXXXXXXX	
Ordine nr: XXXX/X	Collo/Pack 1 di 1
 L406396M0010	
ETICHETTA PESO	
Packing list n°: XXXXXX Contenuto/Content: Comando Mark: 0010 Rif/Ref: FPSERVICE Numero: xxxxxxxxxxxx	

FACSIMILE PLATE

PRELIMINARY CHECKS

The ERMETIKA XL awning is delivered in a strong package that protects it from knocks or scratches because it is contained in special polystyrene seats. There is a label on the cover that indicates:

- **Manufacturer data**
- **Order number**
- **Name of addressee**
- **Customer reference number**
- **N° of the parcel**
- **Weight**

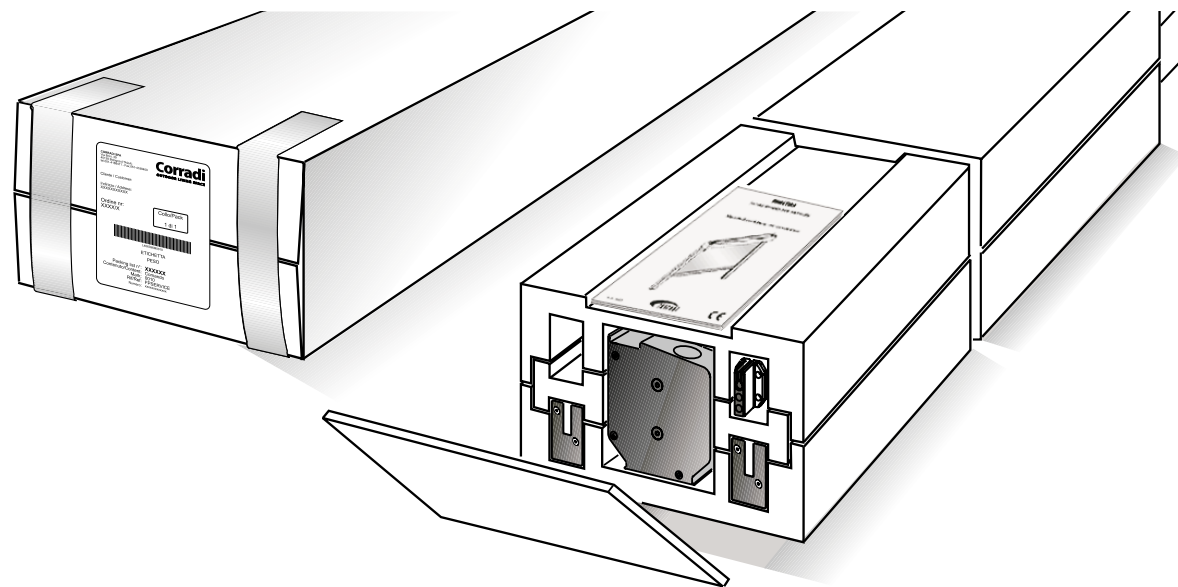
Before opening the package, check that the data corresponds with that in your possession.

All the elements necessary for mounting the awning, the accessories needed for mounting and the installation, the use and maintenance manual are inside the package and contained in special seats.



N.B.:

fixing elements such as screws, plugs etc. are not included and must be chosen by the installer based on the type of fixture foreseen (wall, wood, metal etc.).



Proceed as follows:

- Remove the elements from the packing.



WARNING:

do not use a knife to avoid the risk of ruining the paint or metal elements.

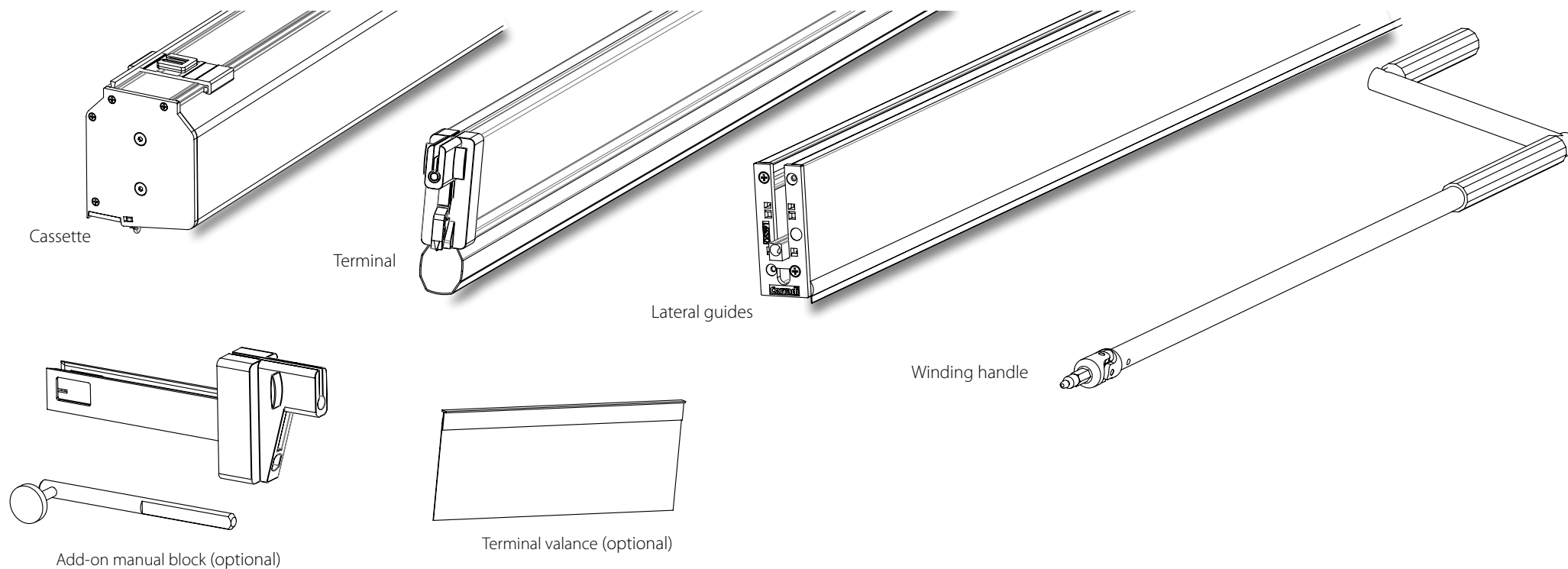
- The elements (cassette, guides and terminal) carry a further label indicating:

- Order date
- Customer name
- Reference
- Measurement details of the opening in which the awning is to be installed
- Measures of the cassette (service indication)



Check that the data indicated on the cassette corresponds to that indicated on the label on the guides and on the terminal.

MATERIAL CHECK, UNPACKING AND PREPARATION



Once the cassette has been removed from the packing, place it on the ground facing upwards (the part to be fixed to the ceiling, to prevent damaging the painting on the side in view). The same for the lateral guides which should be placed on the ground resting on the side to be fixed to the wall.



WARNING:

Packed together with the cassette are the following accessories:

- Standard overhead anchorage brackets (2 per awning up to 2 metres long, 3 for larger sizes).
Up to 3.5 meters and 4 over 3.5 meters and up to 5 meters
- 2 front fastening brackets (if structure front fastening required);
- Templates for drilling
- Compensation washers plastic
- Guide shims
- Manual locks and lock bolts (on request)



ATTENTION:

packed together with the guides are the following:

- rubber gaskets contained inside the guides..

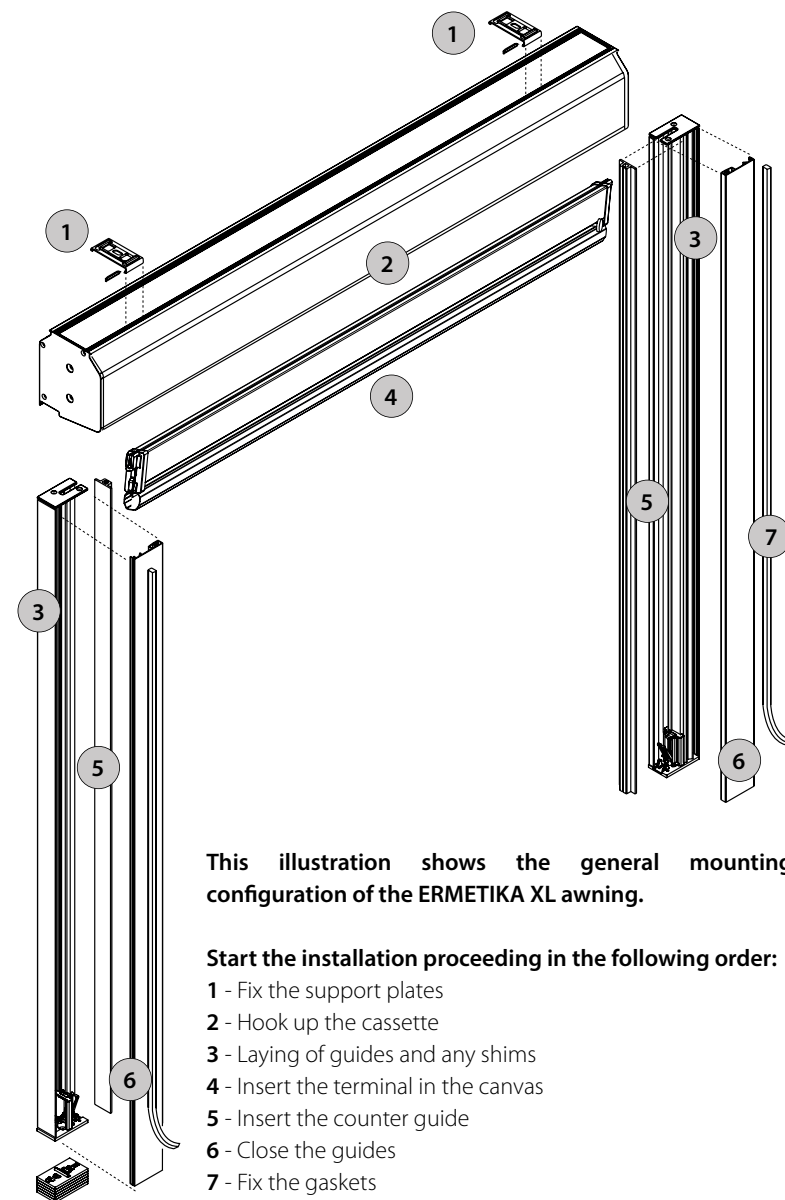
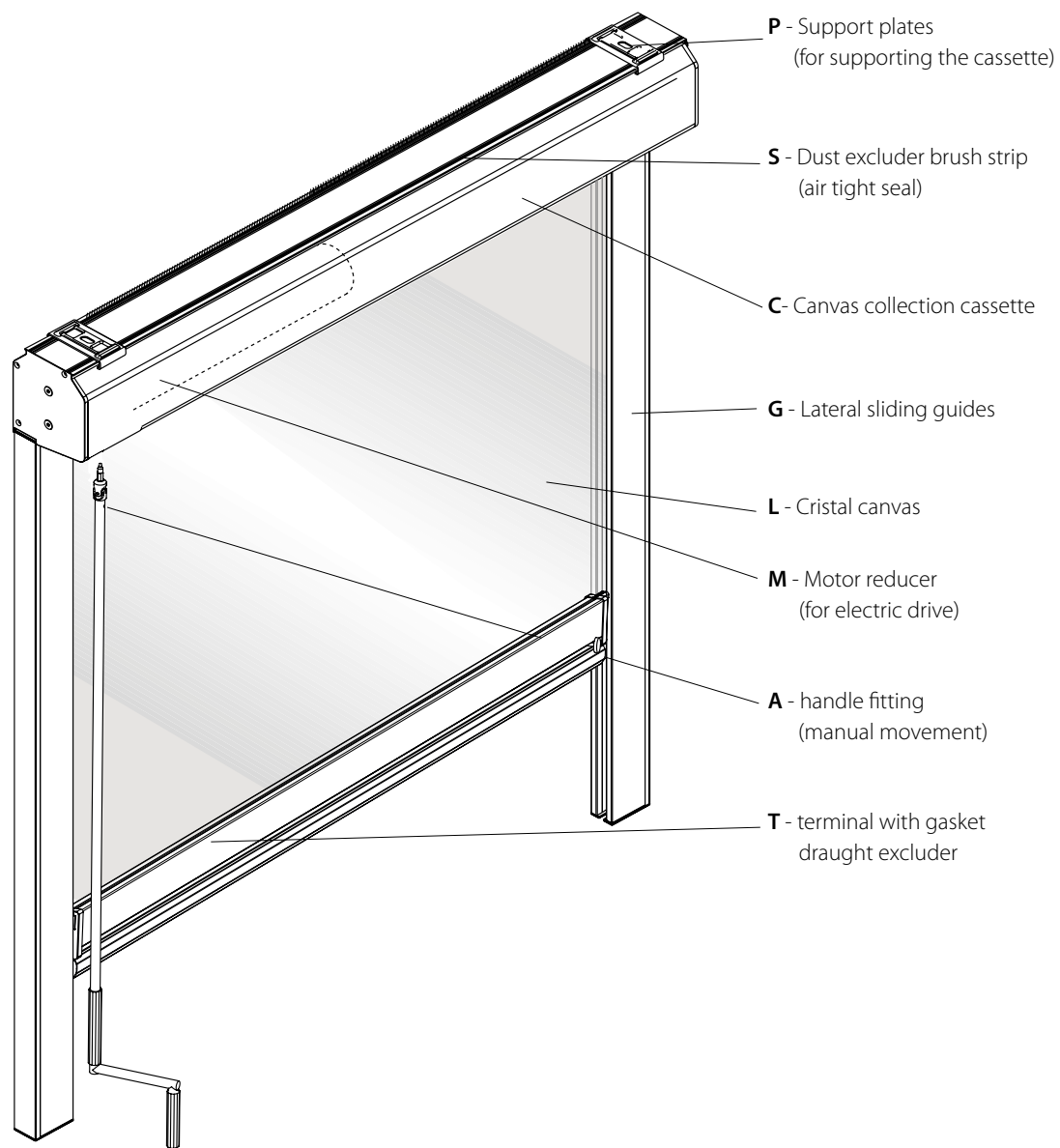


Before starting the mounting, check the integrity of all the elements and that all the accessories are present.

If not, contact CORRADI immediately.

Start the mounting following the instructions shown in the next paragraphs.

MAIN COMPONENTS AND MOUNTING SEQUENCE



This illustration shows the general mounting configuration of the ERMETIKA XL awning.

Start the installation proceeding in the following order:

- 1 - Fix the support plates
- 2 - Hook up the cassette
- 3 - Laying of guides and any shims
- 4 - Insert the terminal in the canvas
- 5 - Insert the counter guide
- 6 - Close the guides
- 7 - Fix the gaskets

1 CASSETTE TO THE CEILING

Positioning the cardboard templates for drilling

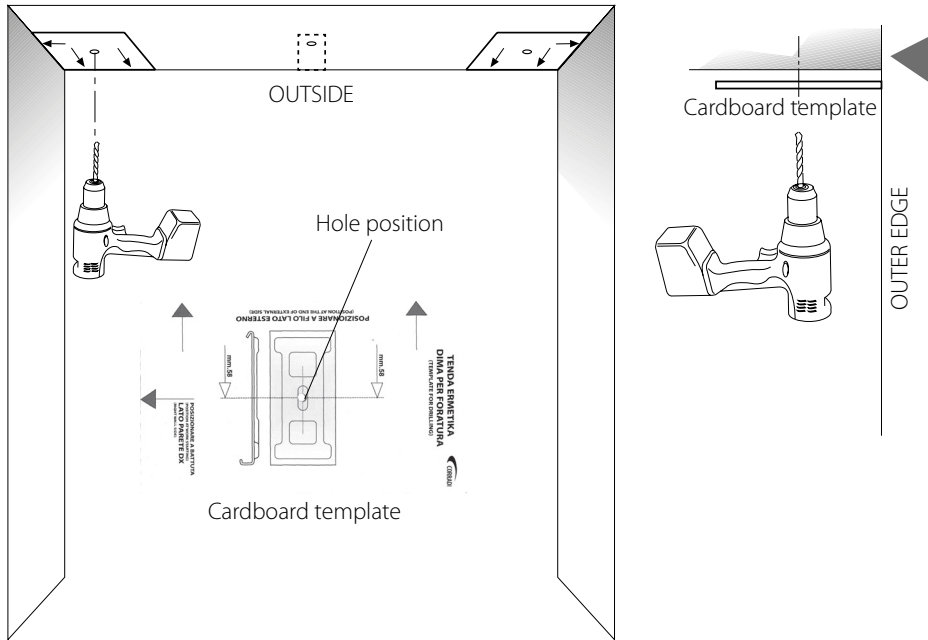


fig. 1

- If the box is to be installed on the outer edge of the structure, position the cardboard templates provided perfectly against the outer edge and against the right and left sides.

Quantity of fasteners according to width:

For ERMETIKA XL lengths up to 2 metres Qty. 2

For ERMETIKA XL lengths over 2 metres and up to 3,5 metres Qty. 3

For ERMETIKA XL lengths over 3,5 metres Qty. 4

Positioning support plates

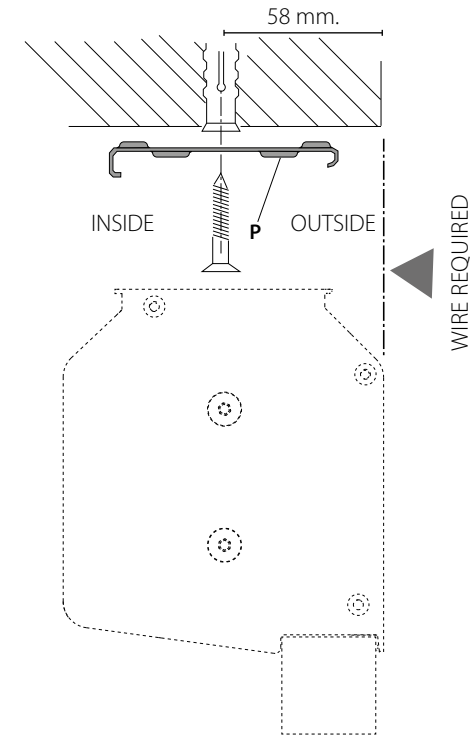


fig. 2

- Drill, using a drill bit that is suitable for the type of fixing to be used.
- Insert the plugs when foreseen, (depending on the type of fixture envisaged: wall, wood, metal etc.)
- Fix the support plates (**P**) to the ceiling, oriented as indicated in the figure.



Warning:

Use flat countersunk screws. Do not fully fix. Attention: read the following notes carefully.

1 CASSETTE TO THE CEILING

Positioning support plates

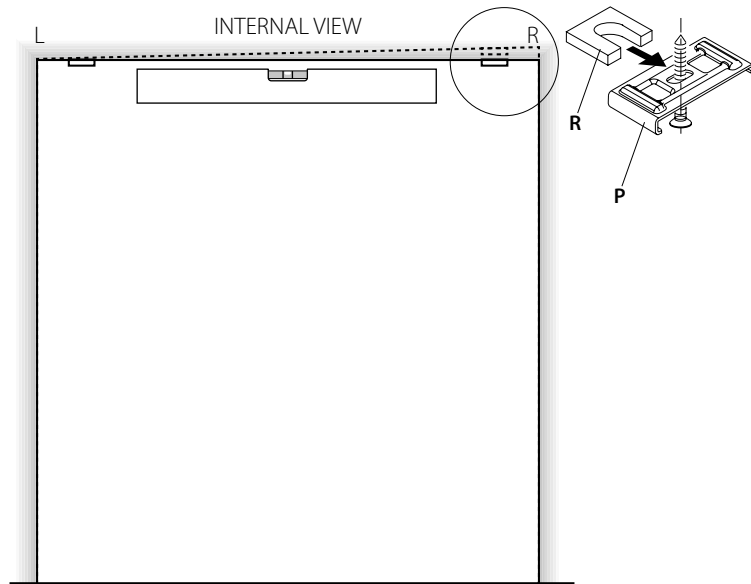


fig. 3

ATTENTION • CASSETTE COMPENSATION

- Before fastening the plates (P), it is essential to check that the top part (box support) is horizontal. If there is a difference between L and R, insert the special plastic washers (R) provided between the ceiling and the plate to compensate until it is horizontal.



Horizontality is the optimal condition for enabling the terminal lock to work properly.

Check the parallelism and compensation

Check the alignment

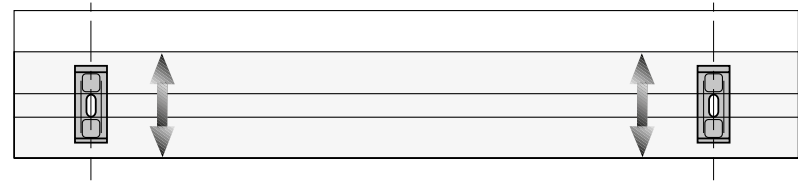


fig. 4

- Carefully check the alignment of the support plates before finally fixing them.
- Finally fix them.

Check the alignment

Note:

The function of the support plates is to support the cassette before mounting the lateral guides.

1 CASSETTE TO THE CEILING

EXTERNAL box coupling sequence

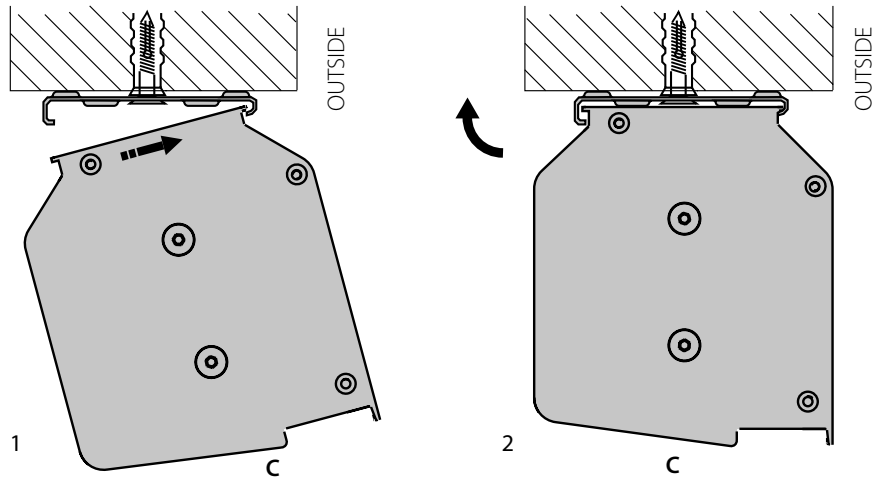


fig. 5

- Hook up and fix the cassette (**C**) to the support plates with a slight rotation upwards, starting from the outside part (sequence **1 - 2**).

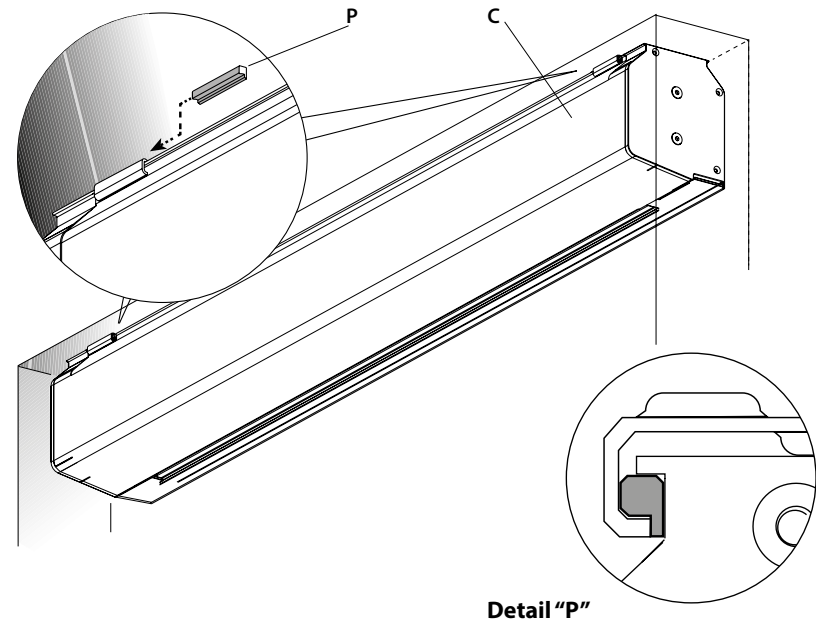


fig. 6

- Once the cassette is inserted, press tightly the supplied nylon pins (**P**) to stabilise the fixing.



Pay attention to the sense of insertion, present in callout P

2 CASSETTE TO THE WALL

For the wall mounting of the ERMETIKA XL, perform the following operations:

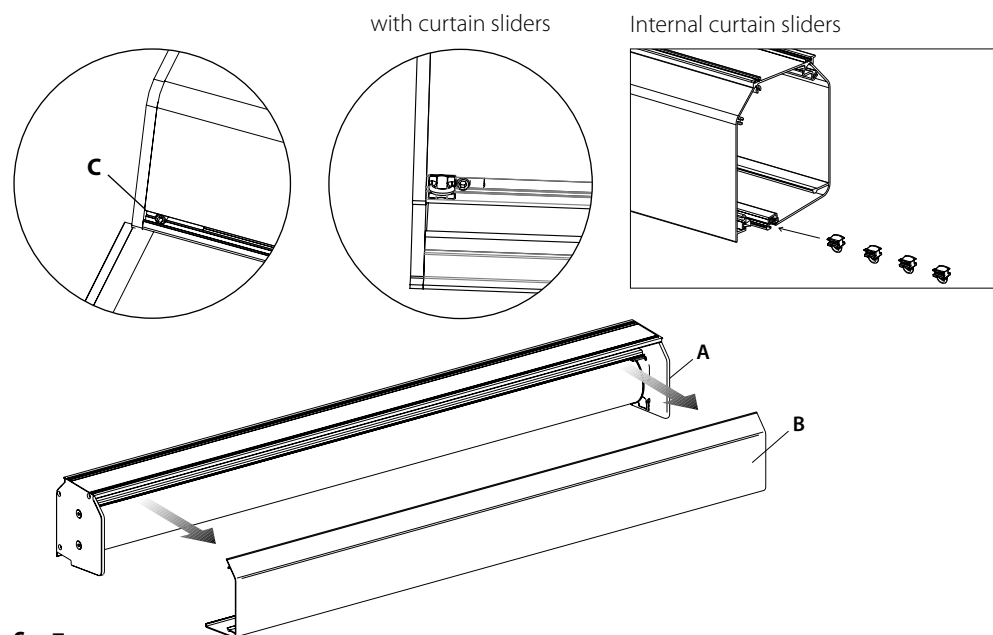


fig. 7

- Move the safety catches using an Allen key (see figure C)
- Open the cassette (A) removing the cover (B)

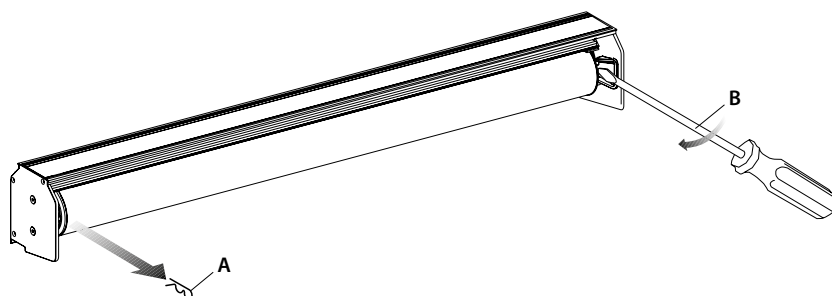


fig. 8

- 1 Extract the pin on the motor side (A), not present on the model with manual drive.
- 2 Support the roller
- 3 On the other side, apply slight pressure with a screwdriver to release the coupling (B)

N.B. In case of gearbox consider only point 2 and 3

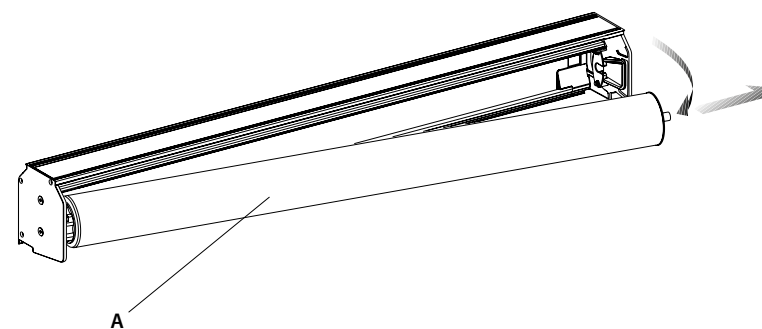


fig. 9

- Extract the awning roller (A)

Warning:

If changing the canvas, it is STRICTLY FORBIDDEN to leave the motor coupled to the support bracket



2 CASSETTE TO THE WALL

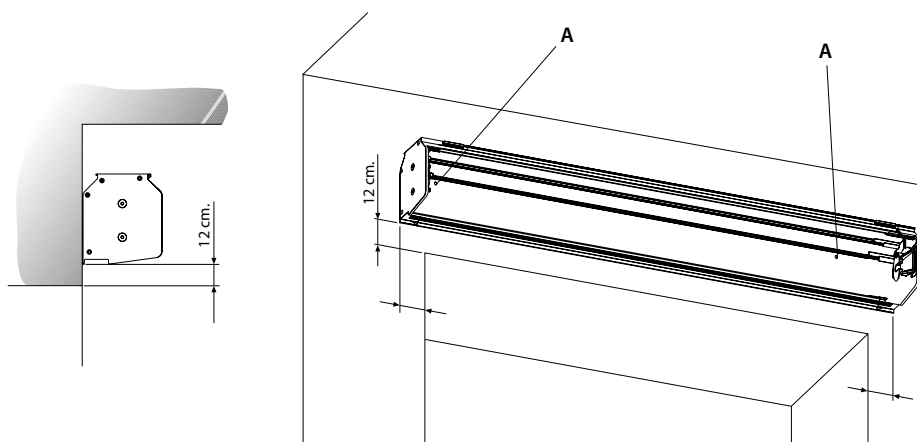


fig. 10

- Rest the ERMETIKA XL cassette against the wall, centring its position.
- From the lower edge of the cassette, measure 12 cm to the lower edge of the beam.
- On the wall, trace the position of the 4 or 6 holes present inside the cassette (**fig. 15 ref. A**).
- Remove the cassette, drill the wall using a drill bit suitable to the type of fixing (on wood, wall, metal etc.).

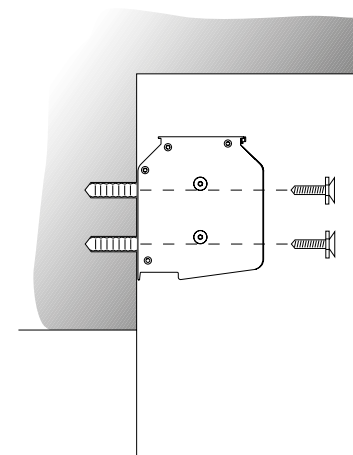


fig. 11

- Insert the plugs (if foreseen) in the drilled holes and fix the cassette with the supplied countersunk screws and washers.

3 INSTALLING THE GUIDES

fig. 12

- Before positioning the guides, distribute the prestressed stainless steel wire springs evenly: starting from the bottom the first about 50 cm off the ground, and from the top about 15 cm from the top cap.

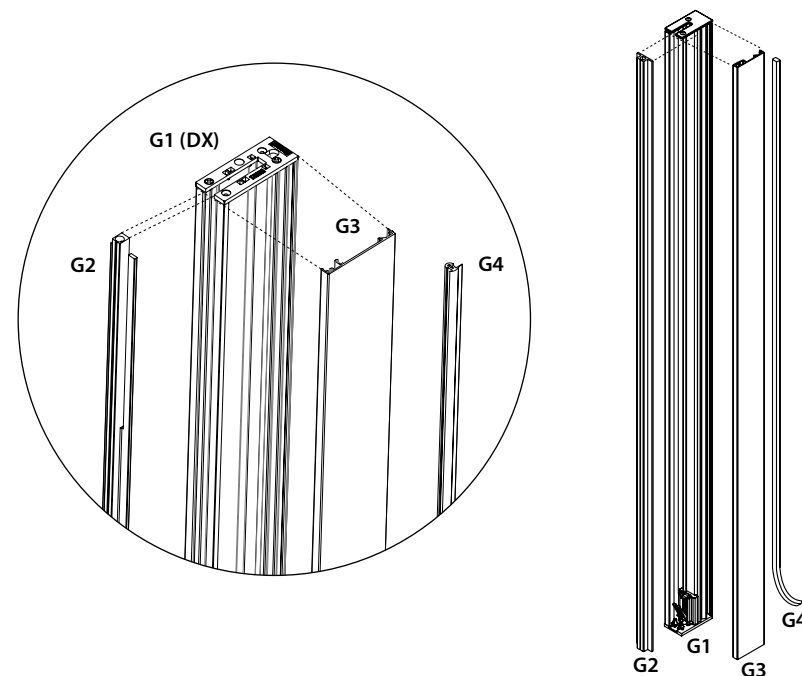
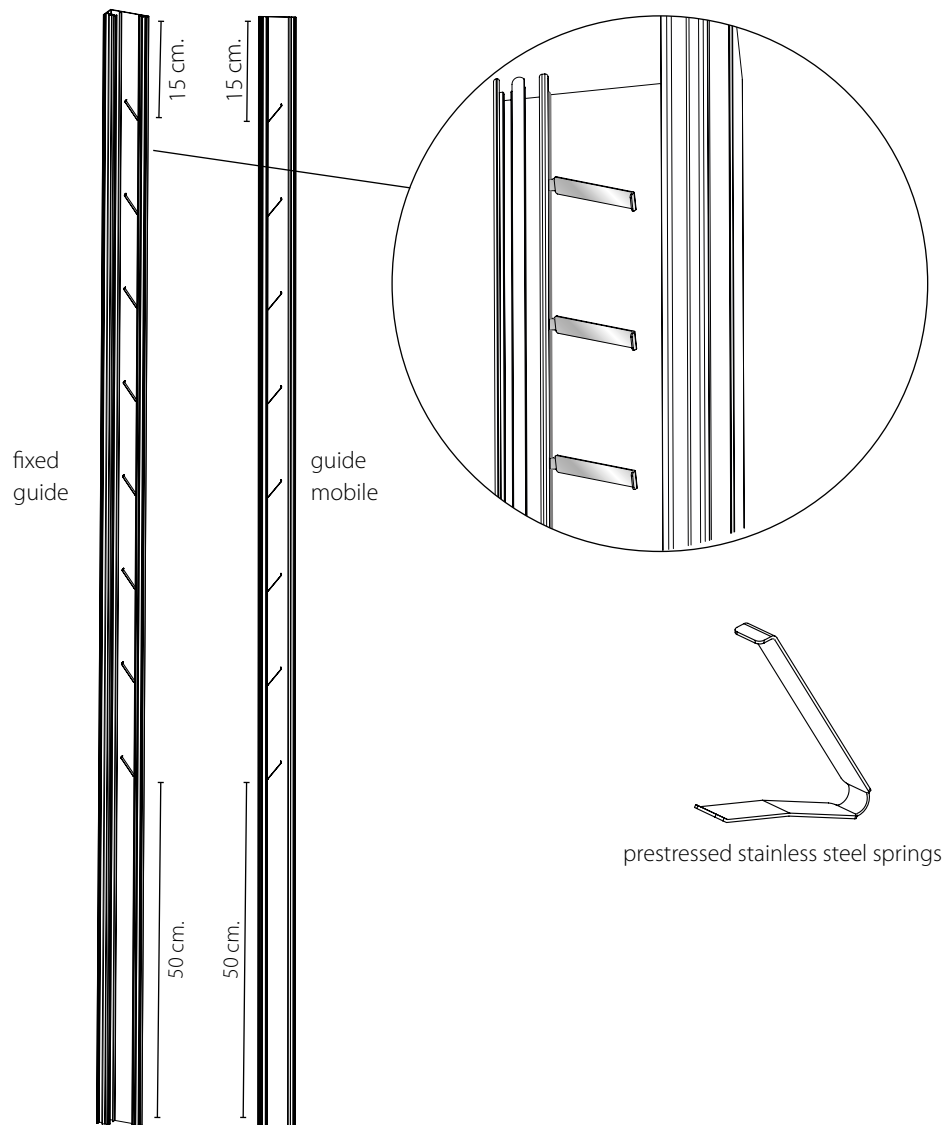


fig. 13

- The guides consist of 3 parts:
 - Fixed part guide (**G1**), perforated in 3 positions for the vertical fixing.
 - "C" guide in self-lubricating PVC plastic material (**G2**).
 - Removable guide (**G3**).
 - The closing gasket (**G4**) ensures a perfect seal for the completion of the mounting.

4 CHECK LAYING OF GUIDES

Check the parallelism, perpendicularity, and the square of the lateral guides.

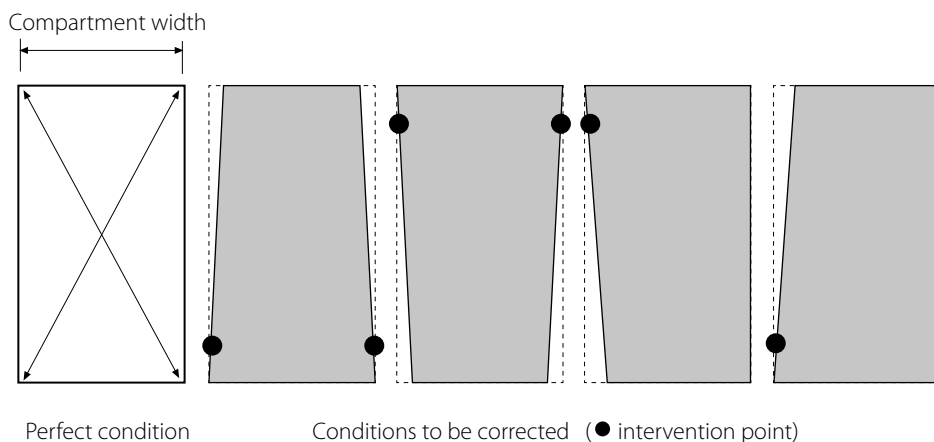


fig. 14
ATTENTION • GUIDE COMPENSATION

- Before the final fixing of the left and right fixed guides **G1** (right - left) it is essential that their parallelism, perpendicularity and square respect to the cassette are checked.
- The respect of these checks ensures the ideal condition for perfect sliding of the awning during opening and closing.
- The figure highlights the possible problems that could arise.

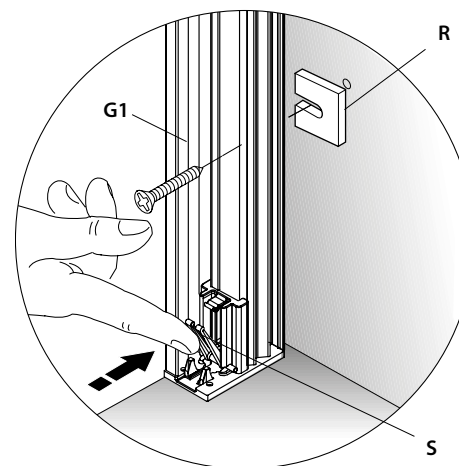


fig. 15

- If the guide is not perfectly “vertical” by using the special plastic washers (**R**) provided, which should be inserted between the surface and the guide (**G1**), at the point to be compensated, up or down until the correction has been made, and the perfect verticality.

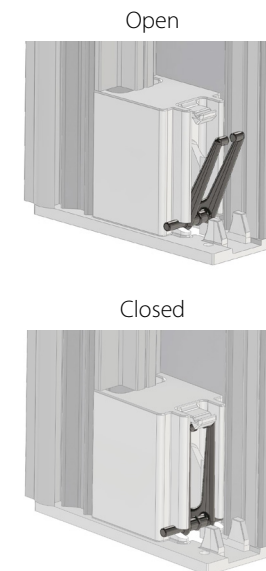
N.B.: During motor assembly and programming press and hold the lever (**S**) in closed position; then open the lever at the end of the operations.

Note: any spaces created between the guide and the vertical support will be covered by the closing gasket.

- Finally fix the guides.



Note:
if fitting an “INSECT SCREEN”, inhibit the blocks to prevent the canvas tearing.



5 INSTALLING THE GUIDES WITH CASSETTE TO THE CEILING

Position the guides to mark the holes

- Insert the right and left fixed guides (**G1**), complete with terminal stopper, inside the box to mark out the holes.

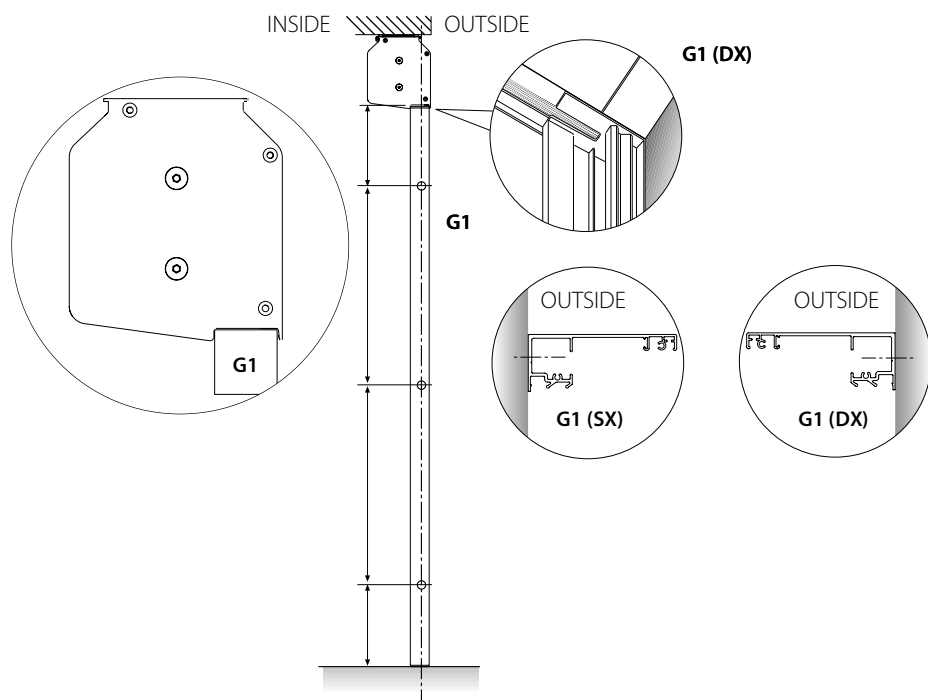


fig. 16



Warning:

The vertical guides must be rested under the cassette and flush with the outer wall of the cassette and in the special seat.

- When the tracing is completed, remove the guides, drill with a drill bit suitable to the type of fixing (wood, wall, metal etc.), insert the plugs, if envisaged.
- Remount the guides as already described but do not fix completely.



Attention: read the following notes carefully.

6 INSTALLING THE GUIDES WITH CASSETTE TO THE WALL

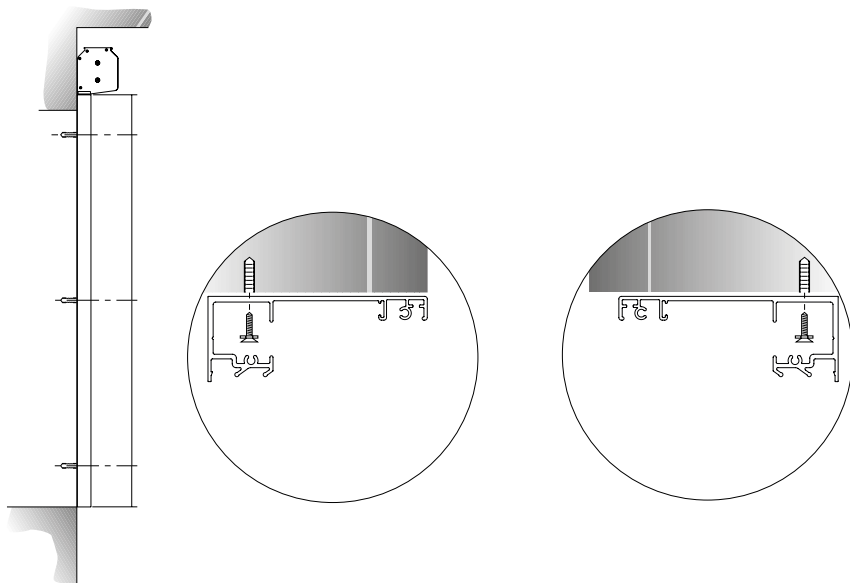


fig. 17



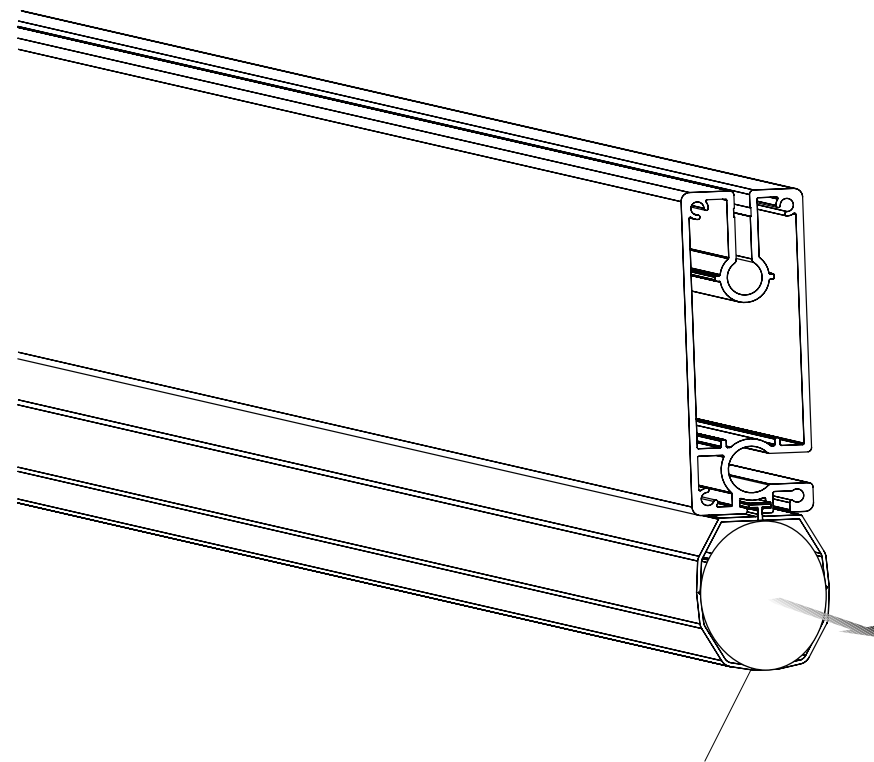
Warning:

The vertical guides must be rested under the cassette and flush with the outer wall of the cassette and in the special seat.

- When the tracing is completed, remove the guides, drill with a drill bit suitable to the type of fixing (on wood, wall or metal), insert the plugs, if envisaged.
- Remount the guides as already described but do not fix completely.



Attention: read the following notes carefully.



ELIMINATE THE PLASTIC TUBE INSIDE THE ANTI-DRAUGHT

7 INSERTING THE TERMINAL IN THE CANVAS

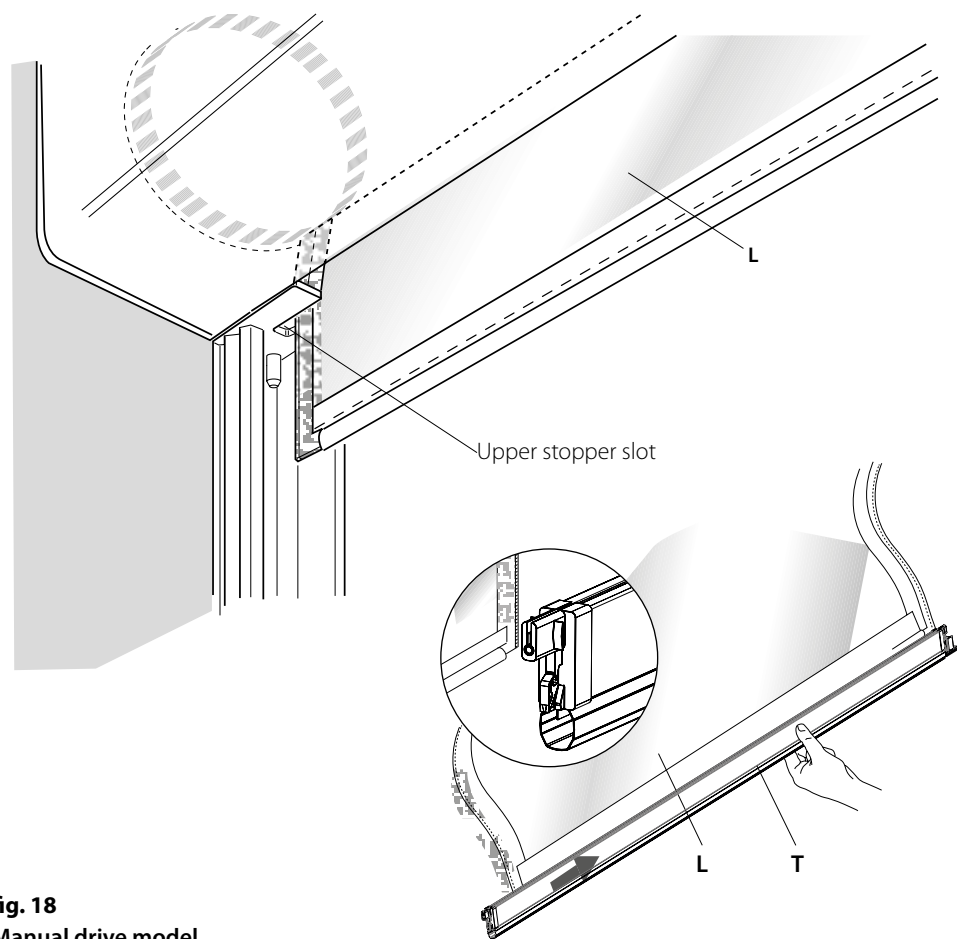


fig. 18
Manual drive model

- Use the handle to lower the canvas.
- Take care to ensure that the canvas (**L**) lowers about the middle of the guide, passing between the slots on the upper stoppers of the guides.
- Insert the terminal (**T**) in the canvas (**L**) sliding it into the housing and then fasten with the screws provided.
Keep the ends of this length protruding.

Inserting the canvas in the terminal with brush strip

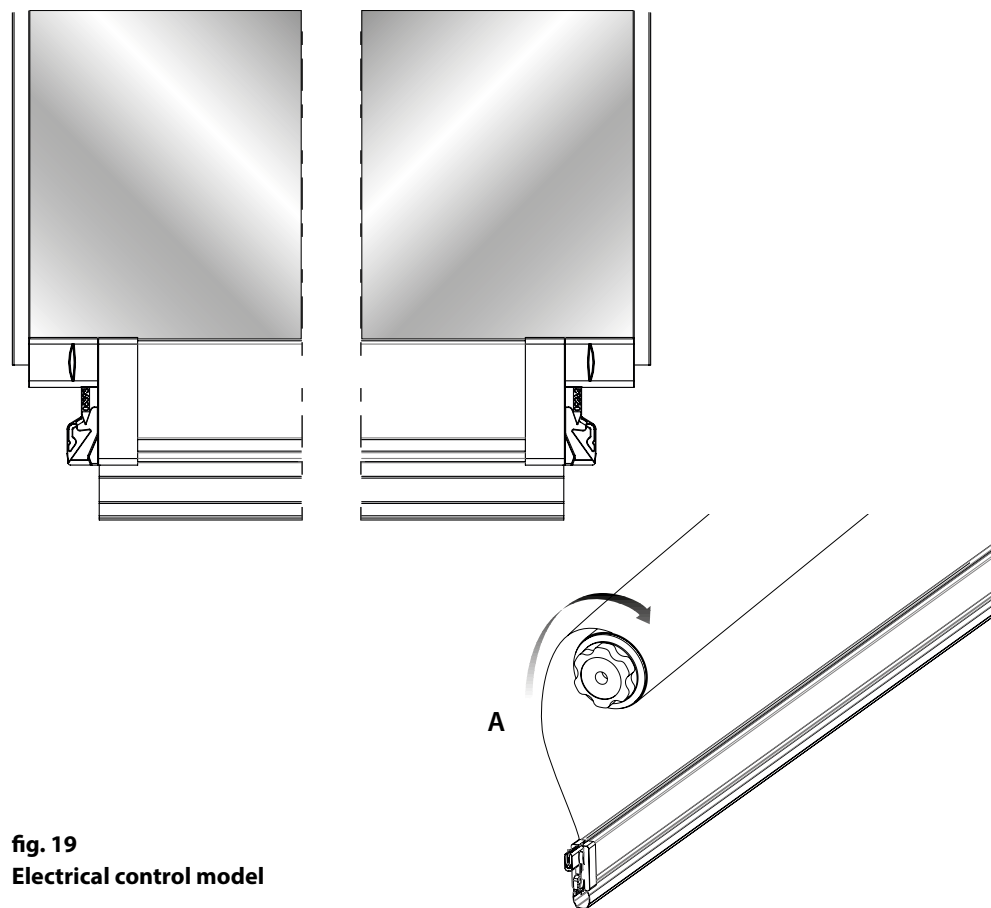
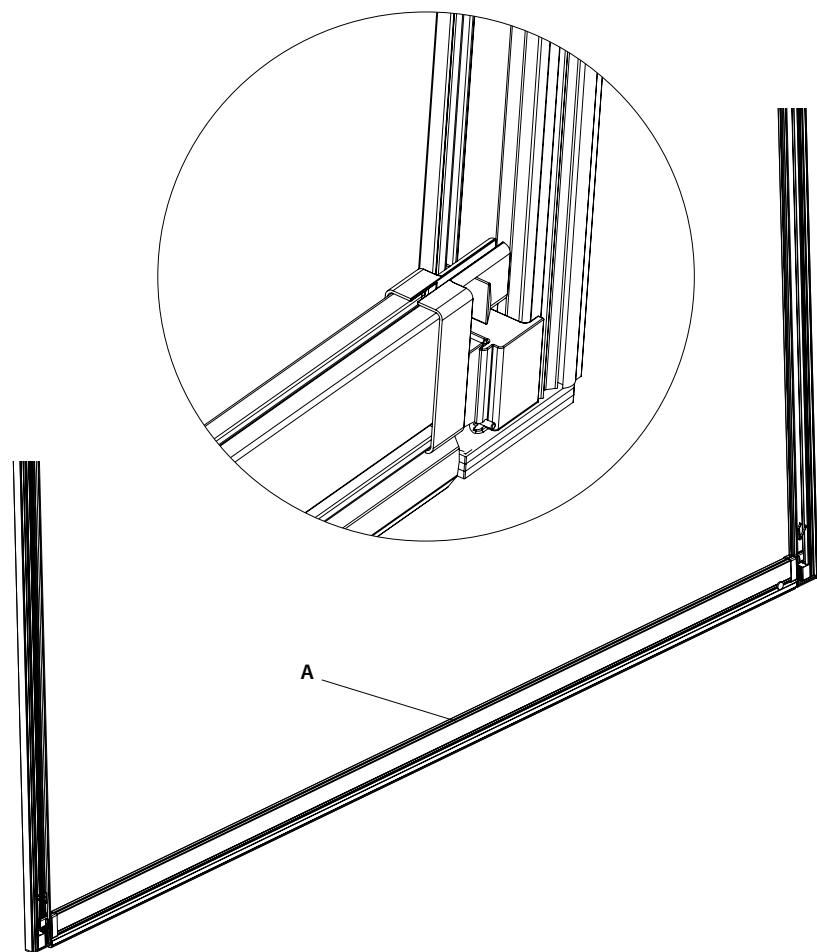


fig. 19
Electrical control model

- Open cassette by removing the cover.
- Manually unwind the canvas (**A**)
- Take care to ensure that canvas (**L**) lowers about the middle of the guide, passing between the slots on the upper stoppers of the guides.
- Insert the terminal (**T**) in the canvas (**L**) sliding it into the housing and then fasten.
Keep the ends of this length protruding.

8 ALIGNMENT GUIDES

FLAT SOLUTION



NON-FLAT SOLUTION

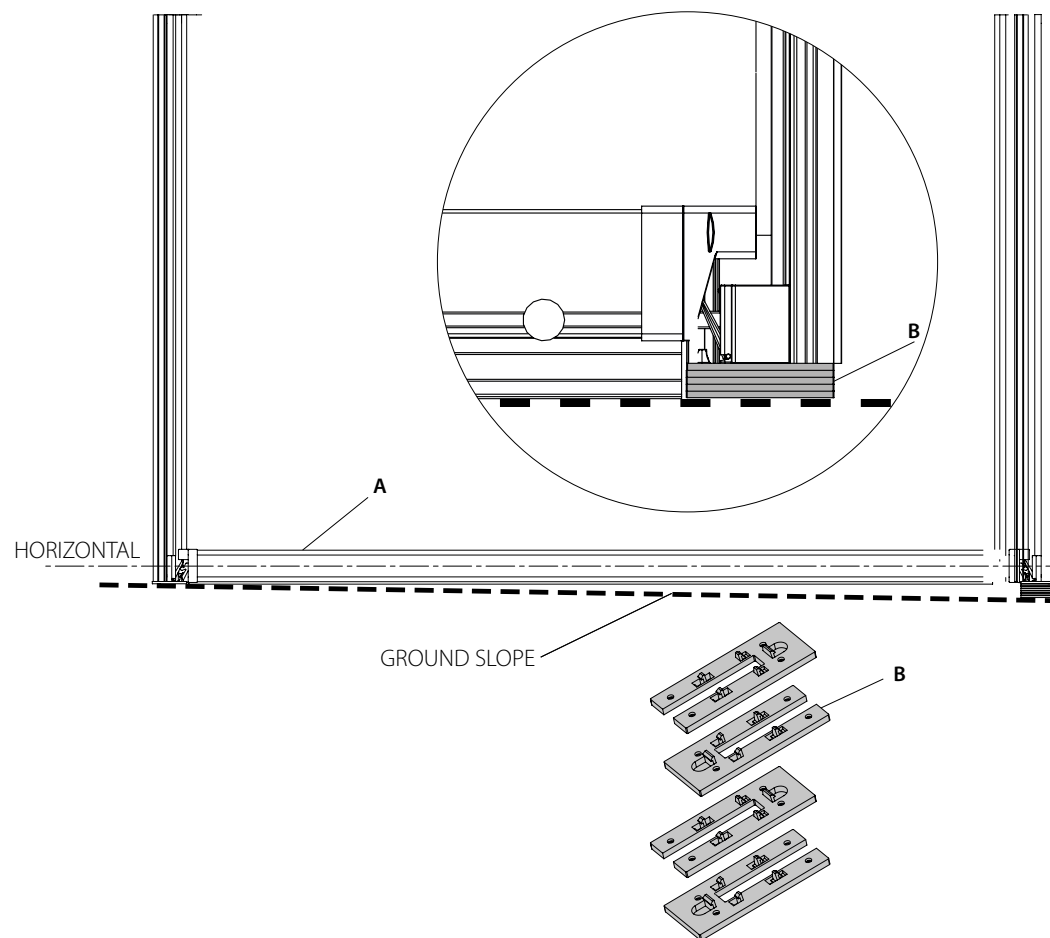
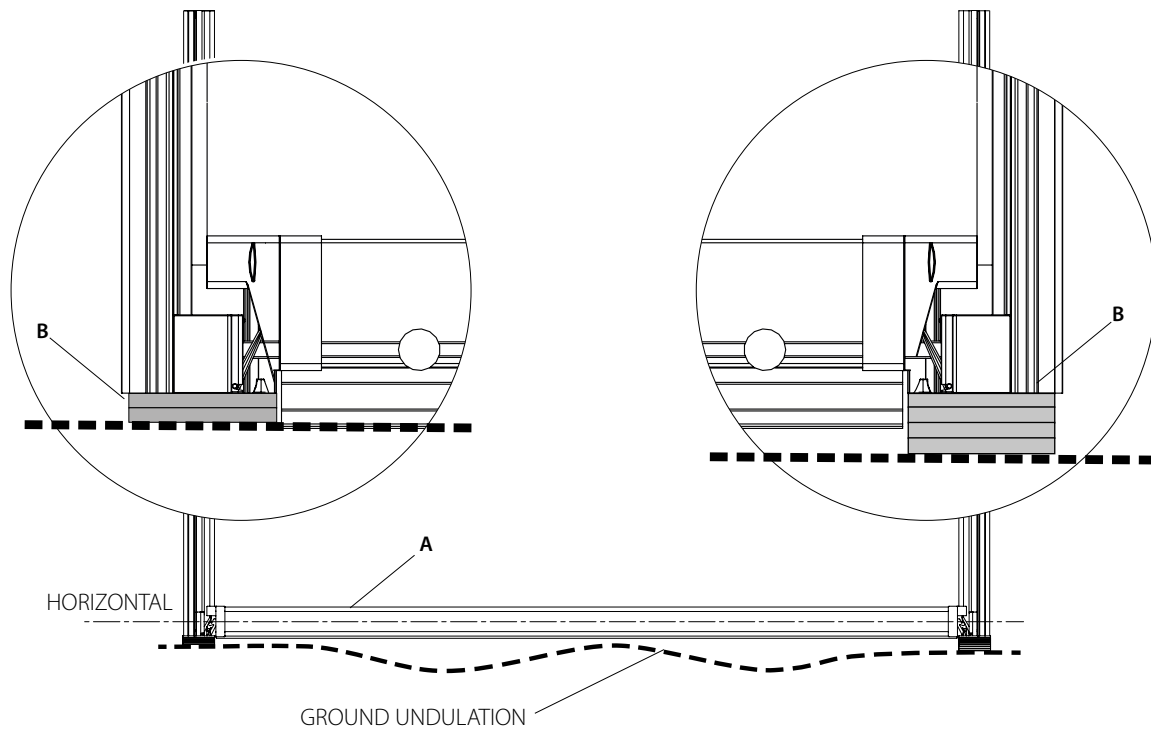


fig. 20

- In order to lock the terminal (**A**) correctly on both guides, it must be perfectly horizontal and the two ends must be perfectly aligned.
- Fix the first guide definitively and use a laser pointer or alternative alignment tools to position the second opposing guide.
- Any ground slope can be offset by the addition of the shims (**B**) provided, inserting the required quantity of them to obtain optimum levelling.
- Once both ends of the terminal are locked (**A**), permanently fix the second guide.

8 ALIGNMENT GUIDES

NON-FLAT SOLUTION

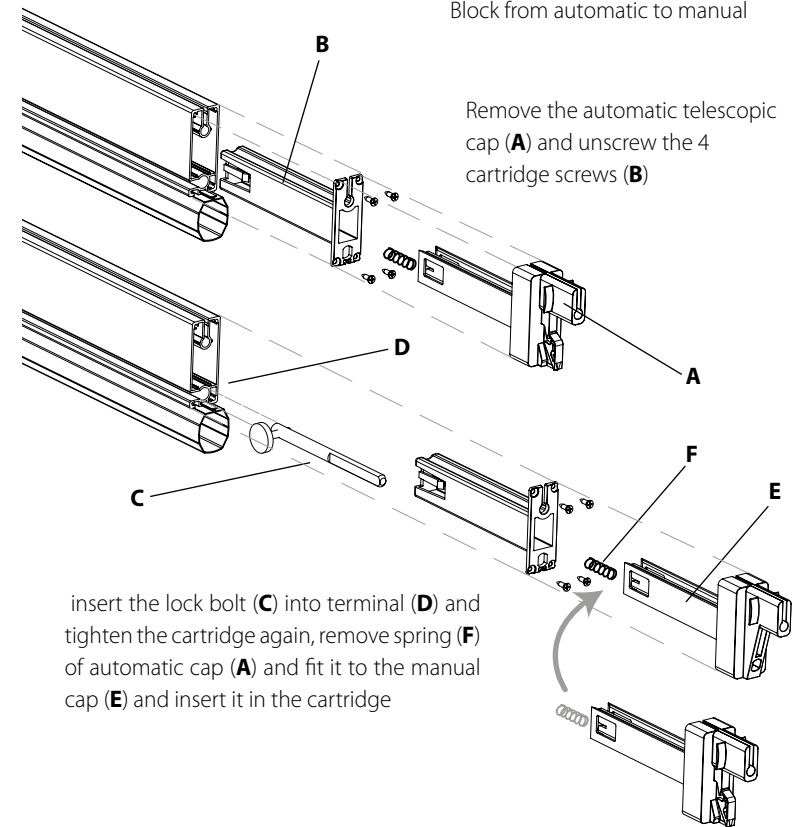


9 MANUAL BLOCK

MANUAL BLOCK

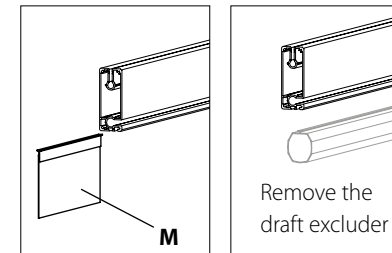
Change the terminal
Block from automatic to manual

Remove the automatic telescopic
cap (A) and unscrew the 4
cartridge screws (B)



insert the lock bolt (C) into terminal (D) and
tighten the cartridge again, remove spring (F)
of automatic cap (A) and fit it to the manual
cap (E) and insert it in the cartridge

Terminal valance (M) (H. 8 cm.)



10 SOLUTION WITH GUIDES NOT PERFECTLY VERTICAL

FLAT SOLUTION

NON-FLAT SOLUTION

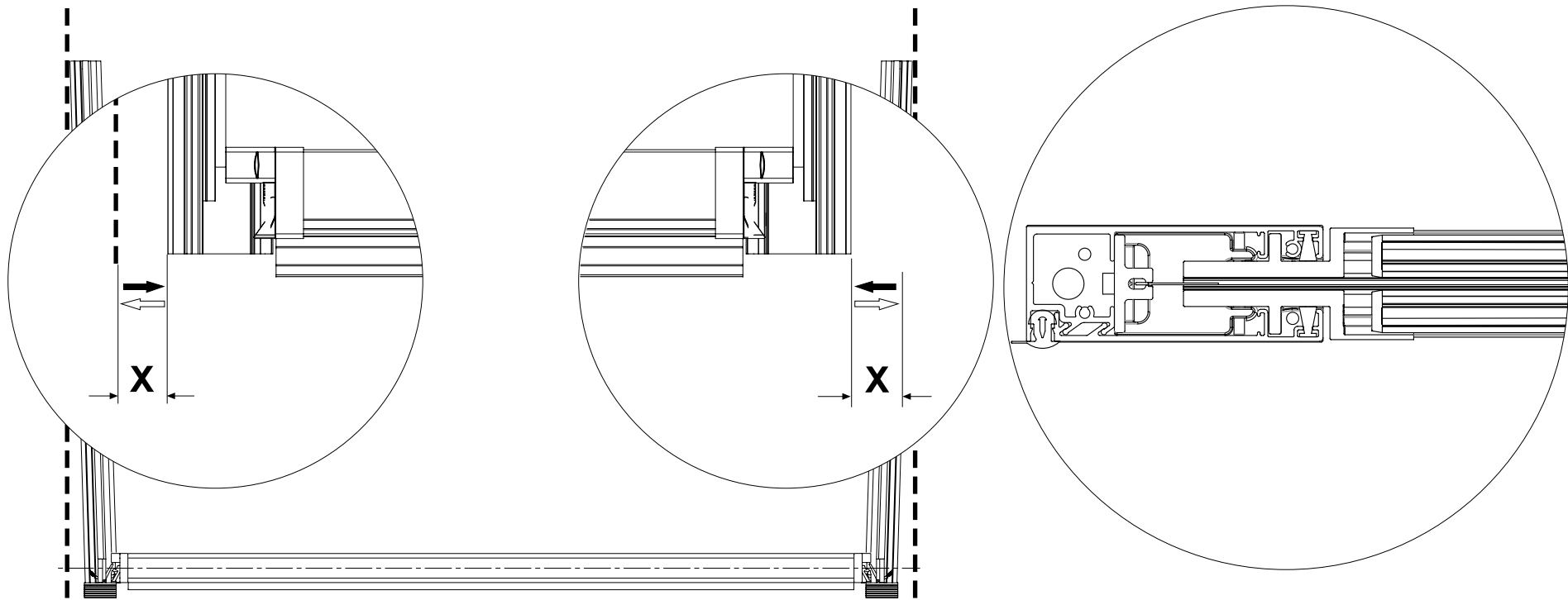


fig. 21

- The telescopic locking system enables (if the guides are not perfectly vertical, and therefore do not couple correctly with the ends of the terminal) the gap to be independently adjusted, thus enabling the vertical guides (**X**) to be out of axis by up to and no more than 10 mm per side.

11 INSERTING "C" GUIDES, REMOVABLE GUIDES AND FINISHING

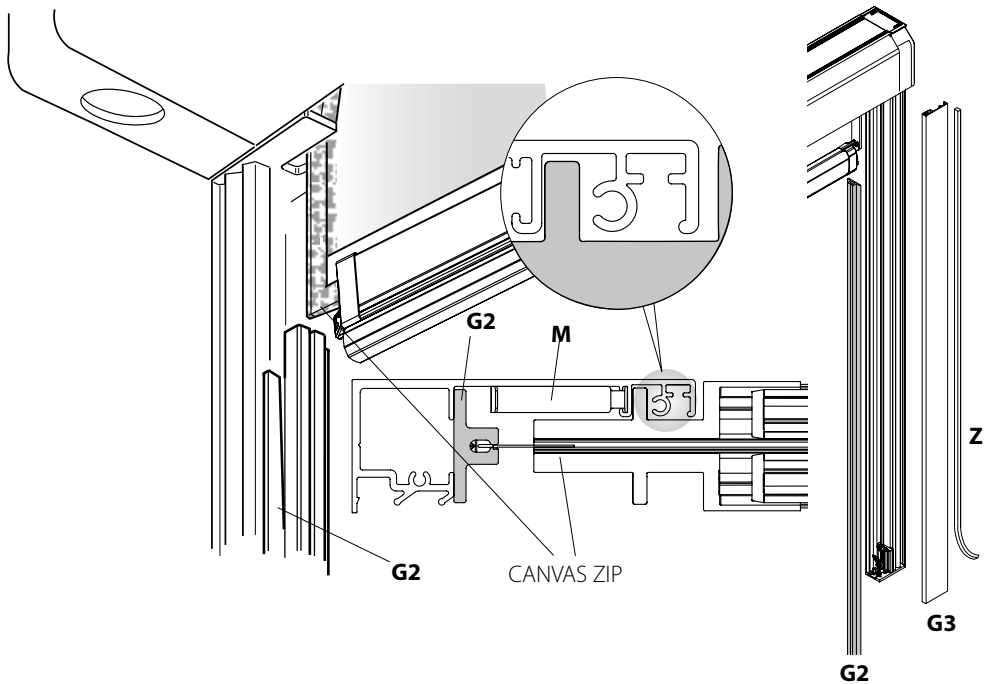


fig. 22

- Insert the two PVC counter guides (**G2**) into the previously fixed guides, taking care that the canvas "zip" (or the protruding part) is perfectly inserted in the seat prearranged for the sliding.

ATTENTION: carry out this operation with the terminal about 10/20 cm from the upper limit stop to facilitate insertion.



Attention: the PVC counter guides must be inserted with the cut part facing upwards and perfectly housed up against the fixed guides. and positioned "behind" the prestressed stainless steel springs.

Closing lateral guides and gasket

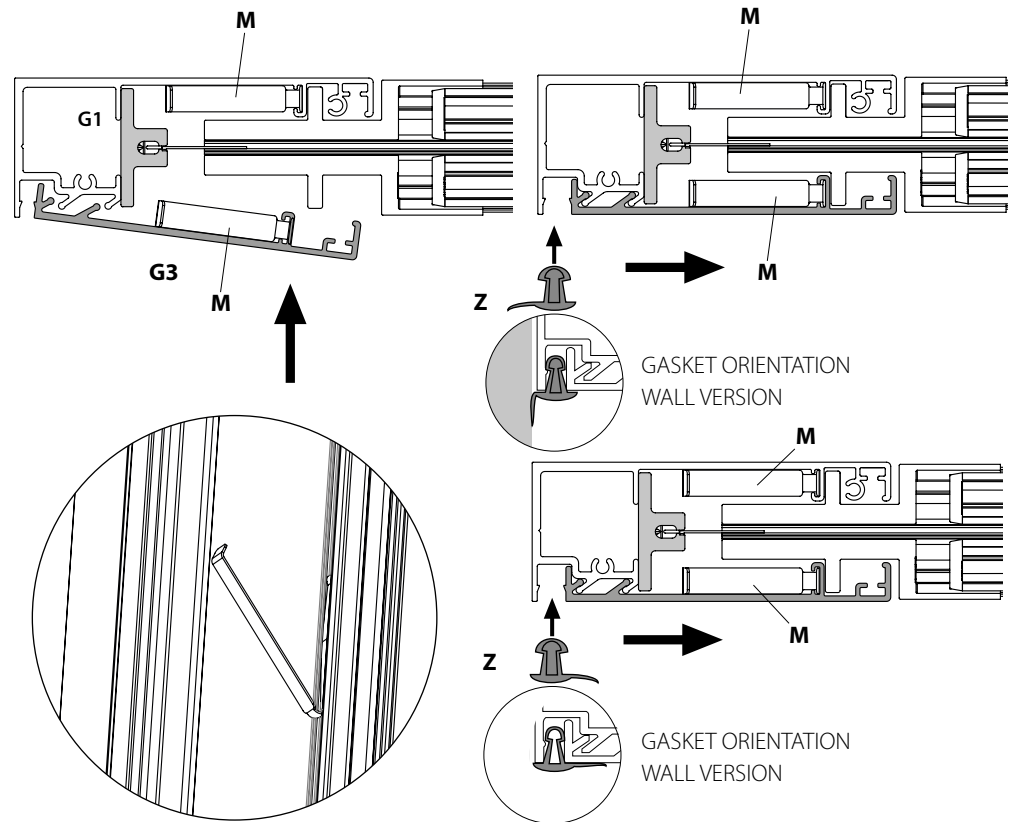


fig. 23

- Move the removable closing guide (**G3**) towards the fixed guide (**G1**) and push the profile, checking that the PVC guide is completely contained inside (see figure).
- Finally fix by inserting the lateral gaskets (**Z**).



Warning:

Press the gasket firmly into the seat along its entire height.

In addition to finally fixing the lateral guides, the gasket ensures a perfect airtight seal and compensates any imperfections of the walls on which the guides are resting.

12 MANUAL OPERATION

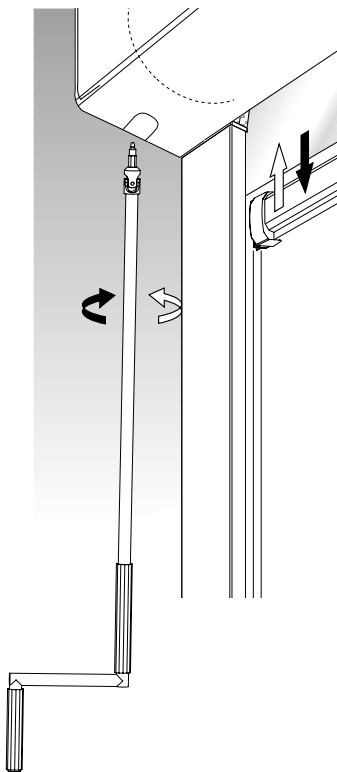


fig. 24

MANUAL OPERATION

For the manual version of the ERMETIKA XL model.

- Use the supplied winding handle to lift or lower the awning.
- It should be inserted in the coupling protruding at the top and then turned (see figure).

13 AWNING DESCENT AND ASCENT PROCEDURE WITH BLOCK AUTOMATIC STANDARD (GEARBOX)

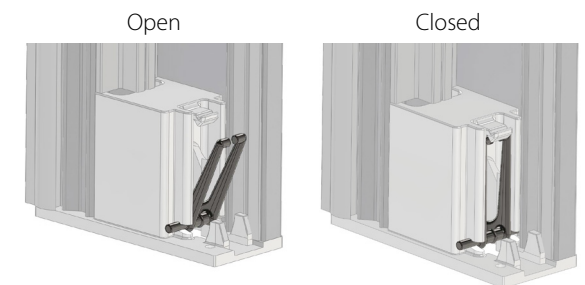
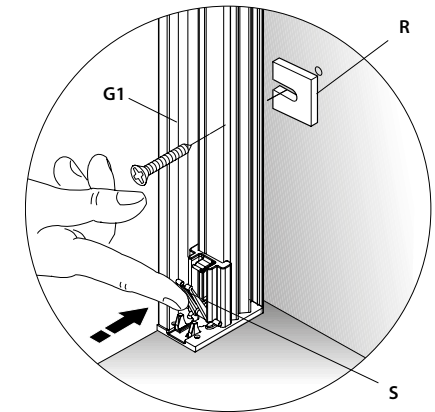
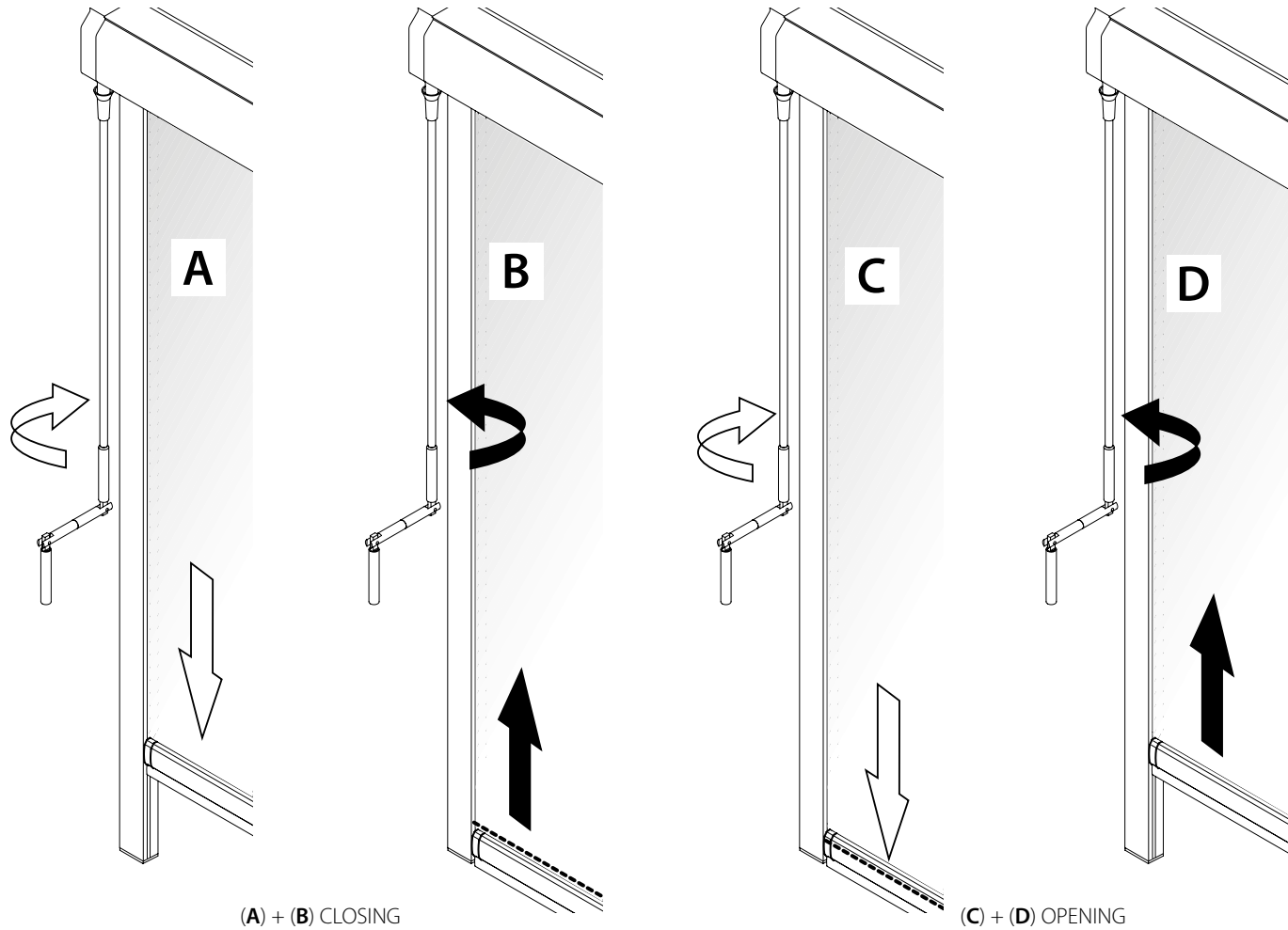


fig. 25

- (A) To lock the awning, lower it using the winding handle until the terminal completely couples.
- (B) Turn the winding handle half a turn in the opposite direction to tension the awning.
- (C) To release the awning, turn the winding handle half a turn in the opposite direction, lowering the awning until you hear it being released
- (D) Wind up the awning by turning the winding handle in the opposite direction.

In the motorized version, these operations occur automatically on pressing the remote control buttons.

If wishing to use the awning so it does not lock automatically, manually push spring (S) inwards (see figure closed)

14 AWNING MANUAL DESCENT - ASCENT PROCEDURE WITH MANUAL BLOCK

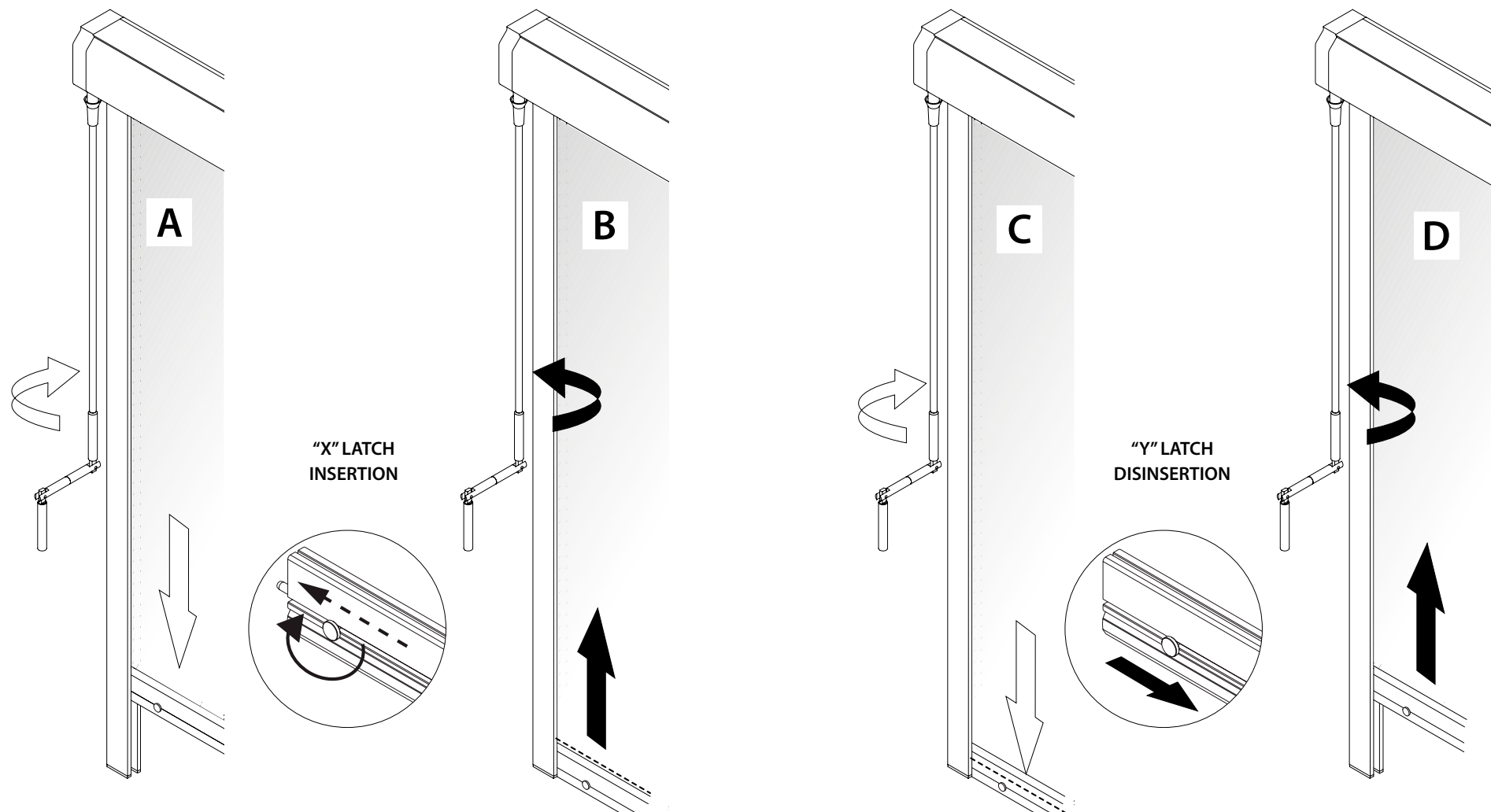


fig. 26 Manual operation

- (A) Run the motor in descent until the terminal reaches the lower limit stop; move the latches across against the guides and lock them by tightening the knobs slightly (**callout X**).
- (B) Press the up button: the motor stops automatically at the suitable tension.
- (C) To release the awning, press the descent button to loosen the canvas; dis-insert the latches by moving them away from the guides (**callout Y**).
- (D) Press the up button to wind up the awning.

In the version with electric latches, operations X - B - C - Y are carried out automatically.

15 AWNING MOTORISED DESCENT - ASCENT PROCEDURE WITH MANUAL BLOCK

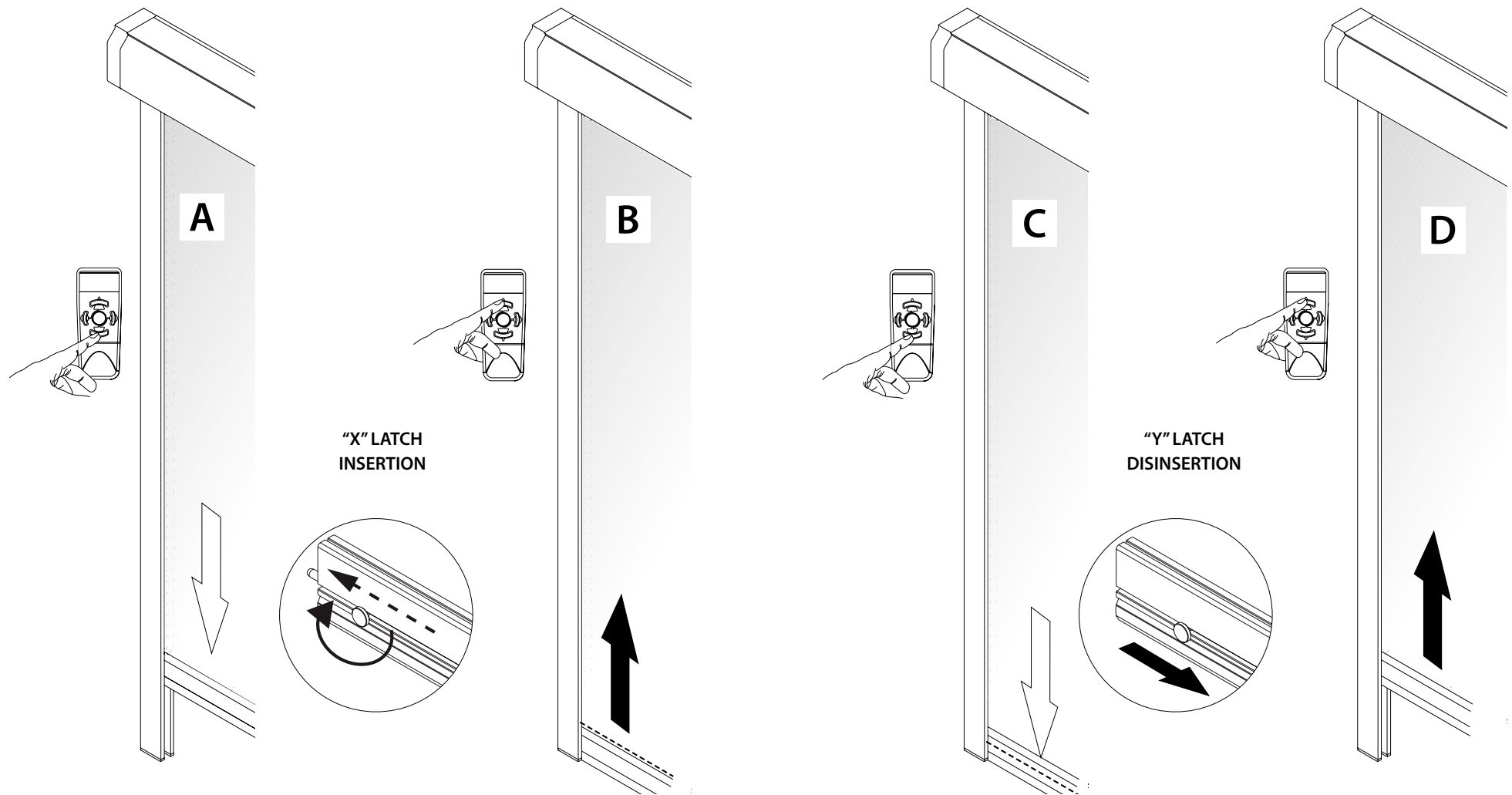


fig. 27 Electric canvas operation/manual latch operation

- Adjusting the motor limit stops: lower limit stop = few cm below guide locks.
- (A) Run the motor in descent until the terminal reaches the lower limit stop; move the latches across against the guides and lock them by tightening the knobs slightly (**callout X**).
- (B) Press the up button: the motor stops automatically at the suitable tension.
- (C) To release the awning, press the descent button to loosen the canvas; dis-insert the latches by moving them away from the guides (**callout Y**).
- (D) Press the up button to wind up the awning.

In the version with electric latches, operations X - B - C - Y are carried out automatically.

16 FIXING THE CASSETTE ON MILLENIUM

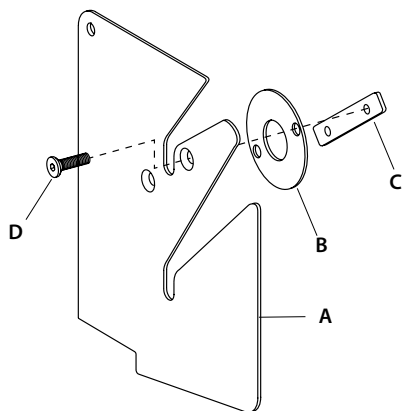


fig. 28

- Assemble the right side plate (A), the washer (B) and the plate (C) with a screw (D), tightening it to the plate with the minimum force necessary.
- Repeat the same operation on the left side plate.

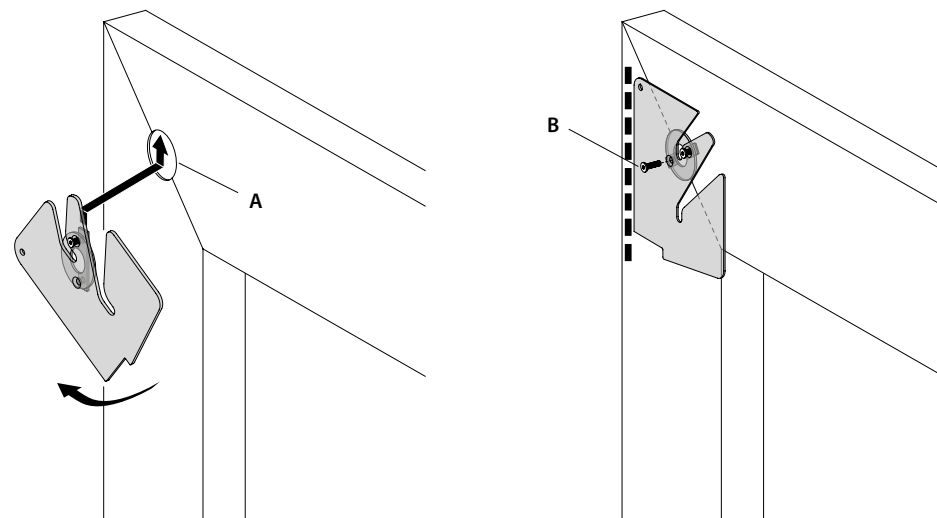


fig. 29

- Place the pre-assembled unit in correspondence with the hole (A) on the Millenium upright pillar and insert the plate (C) into the hole, taking care to centre the washer (B) in the hole on the profile.
- Insert the second fixing screw (B)
- Fully tighten the two screws, taking care to keep the plate perfectly parallel to the line of the upright pillar.
- Perform the operation on both upright pillars.

16 FIXING THE CASSETTE ON MILLENIUM

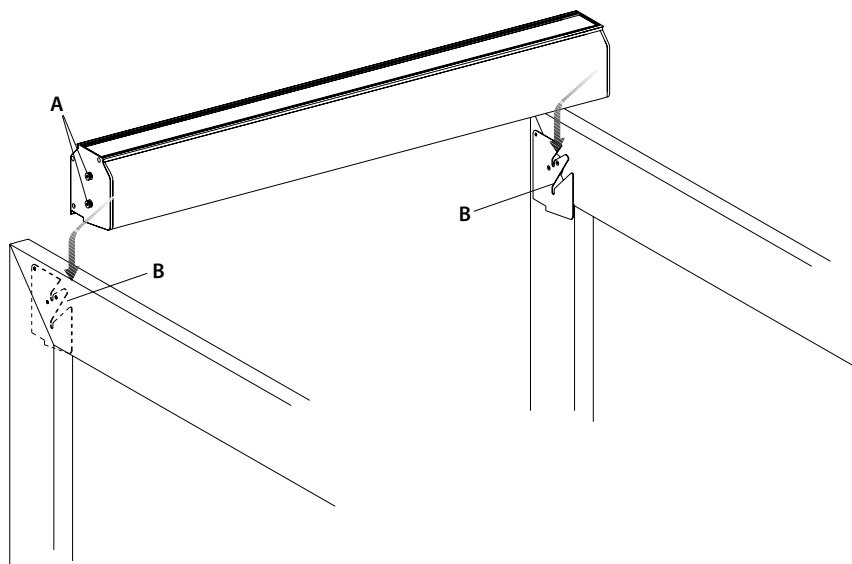


fig. 30

- Insert the box, sliding the four pins **(A)** into the grooves in the plates **(B)** until they are completely inserted.
- Check the stability of the cassette.

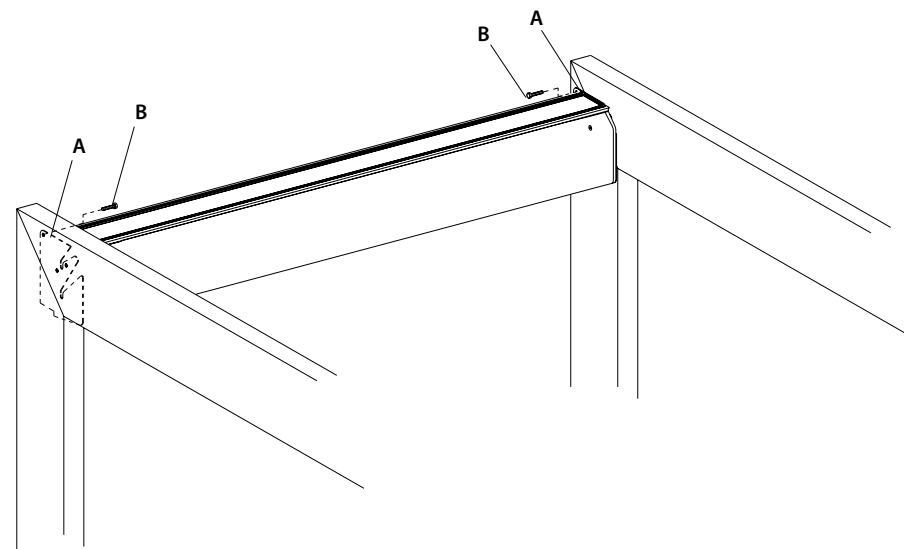


fig. 31

- Drill the upright pillar in correspondence to the front hole on the two plates **(A)** and tighten a hexagonal head self-tapping screw **(B)**, that will block the cassette in position to prevent any accidental movements.

17 FIXING THE CASSETTE ON IRIDIUM / FLUX

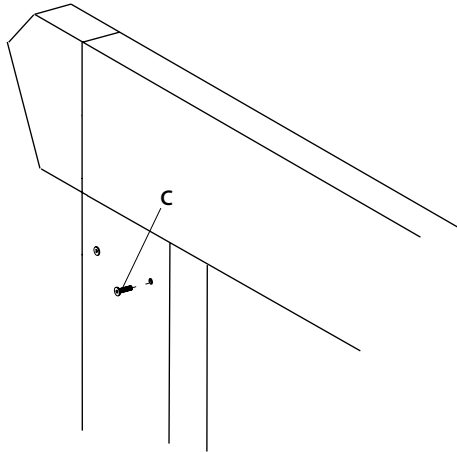


fig. 32

- Loosen the rear screw positioned on the inner side of the pillar (**C**).
- Repeat the same operation on the left side plate.

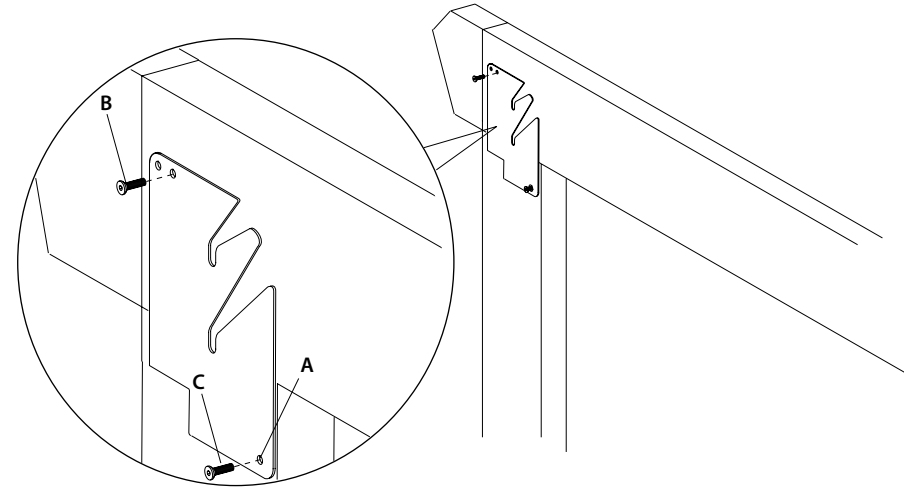


fig. 33

- Position the plate in correspondence with the hole (**A**) on the Iridium/Flux upright pillar and re-tighten the screw (**C**) inside the hole.
- Insert the self-tapping fixing screw (**B**)
- Fully tighten the two screws, taking care to keep the plate perfectly parallel to the line of the upright pillar.
- Perform the operation on both upright pillars.

17 FIXING THE CASSETTE ON IRIDIUM / FLUX

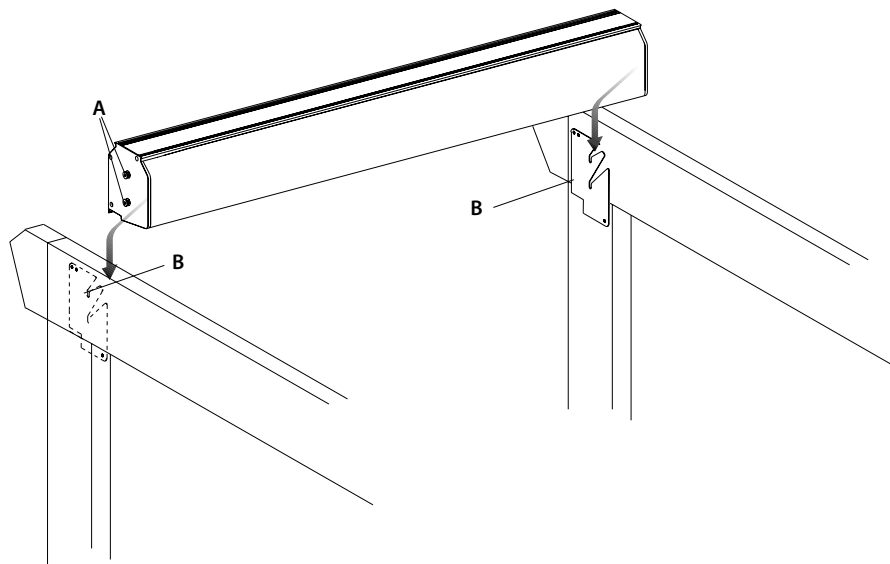


fig. 34

- Insert the box, sliding the four pins (**A**) into the grooves in the plates (**B**) until they are completely inserted.
- Check the stability of the cassette.

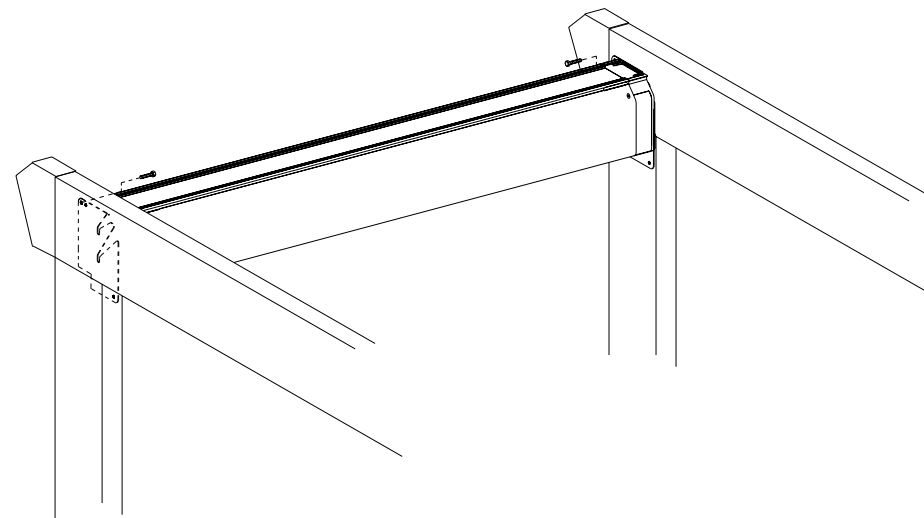


fig. 35

- Drill the upright pillar in correspondence to the front hole on the two plates (**A**) and tighten a hexagonal head self-tapping screw (**B**), that will block the cassette in position to prevent any accidental movements.

18 FIXING THE CASSETTE ON PALLADIA

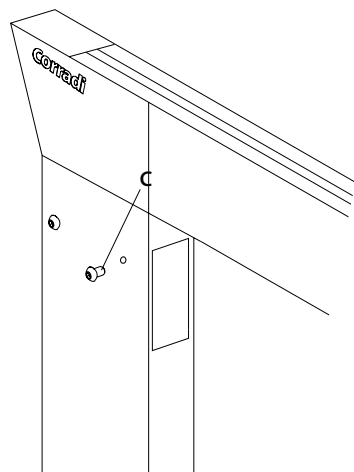


fig. 36

- Loosen the rear screw positioned on the inner side of the pillar (**C**).
- Repeat the same operation on the other pillar.

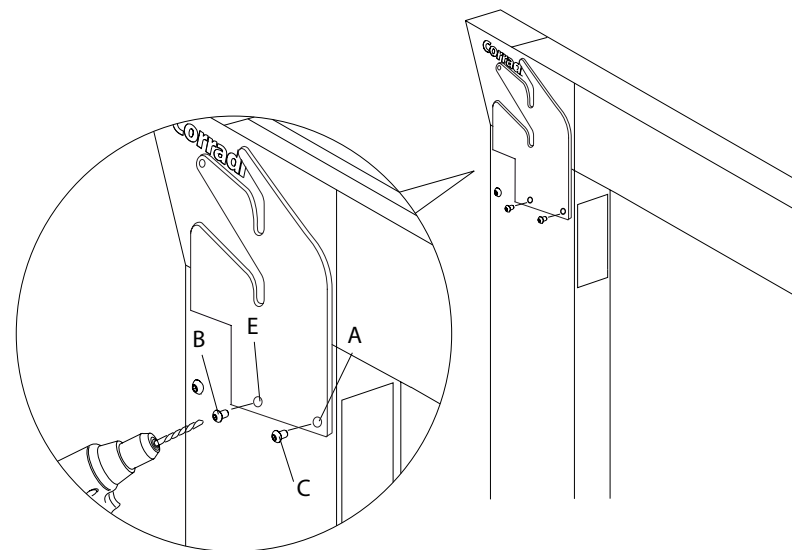


fig. 37

- Position the plate in correspondence with the hole (**A**) on the Iridium/Flux upright pillar and re-tighten the screw (**C**) inside the hole.
- Drill the pillar using a drill in correspondence with hole (**E**);
- Insert the self-tapping fixing screw (**B**) with relative fastening nut inside;
- Fully tighten the two screws, taking care to keep the plate perfectly parallel to the line of the upright pillar.
- Perform the operation on both upright pillars.

18 FIXING THE CASSETTE ON PALLADIA

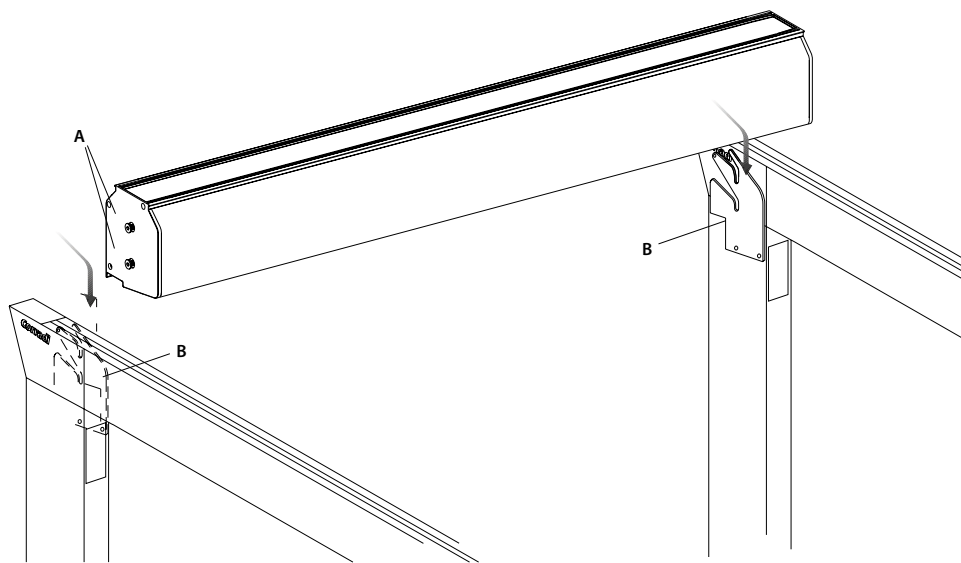


fig. 38

- Insert the box, sliding the four pins (**A**) into the grooves in the plates (**B**) until they are completely inserted.
- Check the stability of the cassette.



fig. 39

- Screw the supplied screw (**B**), that will block the cassette in position to prevent any accidental movements.

CE DECLARATION OF CONFORMITY

The following CE Declaration of Conformity is subordinated to the observance of constraints and indications in the product warranty, as well as the correct installation done by the person in charge in accordance with the installation and lay-out instructions established by CORRADI Srl.

Manufacturer: CORRADI Srl
Via G. Brini, 39 - 40128 Bologna Italy

Typology and name product: ERMETIKA® , ANEMOS, ERMETIKA XL

Serial number: (see CE marking on product and on the USER MANUAL)

Production year: (see CE marking on product and on the USER MANUAL)

Usage: (see User manual - Original Instructions and concerning Warranty)

REFERENCE DIRECTIVES applicable to the following CE Declaration of Conformity

Construction Products Regulation UE n° 305/2011;
Electromagnetic Compatibility Directive 2004/108/CE(*);
Machinery Directive 2006/42/CE(*);
Low Voltage Directive 2006/95/CE(*);

With the following document the company declares on its own responsibility, that the above mentioned product satisfies the Directives indicated on the side:

The conformity has been verified with the aid of the following norms:
- Performance requirements, safety included UNI EN 13561:2009
Wind resistance class: Class 3(**)(up to 400 cm width) (method according to UNI EN 1932: 2013);
Wind resistance class: Class 2(**)(over 400 cm width) (method according to UNI EN 1932: 2013);

INDICATION / CONDITIONS TO WHICH THE USAGE OF THE PRODUCT IS SUBJECT:

The CORRADI product is subject to the installation activity done for the Client.

The Authorized Installer has to draw up and hand over the suitable DECLARATION OF CORRECT INSTALLATION AND CLASSIFICATION OF WIND RESISTANCE to the user, which testifies the correct installation, in accordance with the instructions supplied by the manufacturer and applied in accordance with the state and morphology of the installation site and corresponding to the using conditions for which it has been realized.

The Installer has to follow the reference instructions in the "INSTALLATION MANUAL" and "USER MANUAL".

The Installer fills out and signs the DECLARATION OF CORRECT INSTALLATION AND CLASSIFICATION OF WIND RESISTANCE, in accordance with the model in the USER MANUAL.

The person authorised to draw up technical documentation is: Ir. Raf Segers C/o sede CORRADI Srl via Brini, 39 - 40128 Bologna

THE MANUFACTURER

I declare that the above described product conforms to the indications and requirements in the above mentioned Directives.

CHIEF EXECUTIVE OFFICER

Ir. Raf Segers

(*) Directives exclusively applicable to products with motorizations and automations [see USER MANUAL]

(**) Wind resistance class: the wind resistance class has been verified using installation supports with features as in the Load table in the Installation manual

DECLARATION OF PERFORMANCE

DoP N. 001/CPR/305/2011

1. Product type and name: **ERMETIKA[®], ANEMOS, ERMETIKA XL**
2. Serial number: **see CE of the User Manual**
3. Intended use: **Vertical rolling closure for protection from sun, rain and wind.**
4. Manufacturer: **CORRADI Srl - via G. Brini, 39 – 40128 Bologna (Italy)**
5. Commissioned by: **NPD, not applicable**
6. Process of assessment and verification of constancy of the performance: **Process 4, Annex V, CPR EU/305/2011/CE**
7. Notified body: **NPD, not applicable**
8. Harmonized standard: **EN 13561:2009 Outdoor awnings – Performance requirements including security, appendix ZA.1**
9. Declared performance: **The product meets the basic requirements defined in the standards mentioned below if used correctly.**

Key characteristics	Performance	Harmonized technical specification
Resistance to wind forces	Class 3 (up to 400 cm width) Class 2 (over 400 cm width)	EN 1932:2013 with test parameters and results evaluation according to EN 13561:2009

10. The performance of the product stated in points 1 and 2 is consistent with the performance stated in point 9.

The present declaration of performance is made under the single responsibility of the manufacturer stated in point 4.

CEO

Ir. Raf Segers

Corradi Srl

39, Via G. Brini 40128 Bologna - Italy

T +39 051 4188 411 **F** +39 051 4188 400

E info@corradi.eu

Corradi
OUTDOOR LIVING SPACE

www.corradi.eu

05589-ING