

**Pedana Easy**  
Installation manual

0 - 04.2011

**Corradi**  
OUTDOOR LIVING SPACE



Dear Installer

This manual contains advice for a rapid and precise installation of the various components.

Although we are sure that you know how to use our products we still recommend that you read our indications carefully.

We always welcome any suggestions or indications on possible improvements to the installation techniques or the layout of the manual.

We would also remind you that during installation you should always use materials that best comply with the environmental conditions.

It is good practice to issue a final declaration of correct installation according to the specifications given in this manual, in addition to the mandatory declarations of conformity required by law, where requested.

All technical interventions necessary for the installation must be carried out by authorised and specialised technicians.

All unauthorised interventions (tampering, technical modification etc.) during the warranty period will invalidate said warranty.

CORRADI S.p.A. reserves the right to make technical modifications to the components or products, except for the main features, at any time and without prior notice.

## INDEX

Symbols	2
General Precautions	2
General safety precautions	2
Precautions and warnings	2
Preliminary checks	3
Disposal of packaging materials	3
Material check, unpacking and preparation	4
Preliminary checks	4
Assembly equipment and tools	4
1 Deck configuration	5
2 Deck composition	9
3 Fitting the omega clips	14
4 Fitting the counter-frames	17
5 Assembling mounted deck	20
6 Levelling the deck	21
7 Fitting CHS support fillets (if present)	23
8 Fitting the slats	25
9 Fitting the frames	30

# SYMBOLS

---

## SYMBOLS

The symbols indicated are used to draw the attention of the installer to arguments of particular importance for the safety of persons, the product or to indicate particular operating conditions.



Attention: general operating note



Attention: greater attention to what you are reading



Attention: general hazard; possible risk of damage to persons, property, components



Attention: risk of electrical hazard



Attention: risk of crushing hands



Contact: CORRADI S.p.A. or the authorised retailer

## GENERAL PRECAUTIONS



Before undertaking any assembly, maintenance or cleaning operations, make sure that you have fully understood the indications in this manual.

Failure to comply with the regulations contained herein relieves CORRADI S.p.A. of all responsibility for damage caused to persons, animals, property and/or components.

The installation personnel must scrupulously comply with the local accident prevention regulations in force.



In case of any incompatibility, contact CORRADI S.p.A.

## GENERAL SAFETY WARNINGS

The decks are designed for a specific use (as outlined in this manual); any use other than that envisaged shall relieve CORRADI S.p.A. of any responsibility.

## PRECAUTIONS AND WARNINGS

The maintenance and installation personnel (installers, electricians etc.) must have sufficient expertise and psychophysical and attitudinal requirements for undertaking the tasks at hand.

Always check the correct mounting and working efficiency of the electrical and manual drives during the assembly.



In case of anomalies, immediately stop the work and contact the service department of CORRADI S.p.A.



The use of non-original spare parts, or unauthorised tampering or modifications shall relieve CORRADI S.p.A. of any responsibility for damage caused to persons, animals or property.

It is absolutely forbidden to tamper with the fixings, the supports, the guides, the fixtures, the command and idler units and any other component of the sliding glass door.



## WARNING

All values indicated are expressed in centimetres (unless otherwise specified).

## **PRELIMINARY CHECKS**

On receipt of the packed goods and before starting their assembly, check the integrity of the material and the presence of all the components necessary for the installation.

Carefully follow the information contained in the "Material check, unpacking and preparation" section.



In case of anomalies, immediately contact the authorised retailer or CORRADI S.p.A.

## **DISPOSAL OF PACKAGING MATERIALS**

Divide the various packaging according to the material used (cardboard, nylon, polystyrene etc.) and dispose of them separately in compliance with the regulations in force.

# MATERIAL CHECK, UNPACKING AND PREPARATION

<b>CORRADI SPA</b> Via Sireo, 35 40126 Bologna (ITALIA) tel.051-4186111 - Fax.051-4188400		<b>Corradi</b> OUTDOOR LIVING SPACE
Cliente / Customer:	XXXXXX	
Indirizzo / Address:	XXXXXXXXXXXXXX XXXXXXXXXXXXXXXXXX	
Ordine nr: XXXXX	Collo/Pack 1 di 1	
 L406396M0010		
ETICHETTA PESO		
Packing list n°:	XXXXXX	
Contenuto/Content:	Comando	
Mark:	0010	
Rif/Ref:	FPSERVICE	
Numero:	XXXXXXXXXXXXXX	

## FACSIMILE PLATE

### PRELIMINARY CHECKS

The PEDANA EASY is delivered in a strong package that protects it from knocks or scratches. There is a label on the package that indicates:

- **Manufacturer's data**
- **Order no.**
- **Addressee name**
- **Customer reference name**
- **Parcel no.**

Before opening the package, check that the data corresponds with that in your possession. The packages contain all the elements for mounting the structure, the essential accessories and the User Manual.



### N.B.:

fixing elements such as screws and anchors are not included and must be chosen by the installer based on the type of fixture foreseen (wall, wood, metal etc.).



Proceed as follows:

- Remove the elements from the packaging.



Warning:

- do not use a knife to avoid the risk of ruining the metal elements.

### ASSEMBLY EQUIPMENT AND TOOLS

Prepare the following before beginning to assemble the structure:

- electric screwdriver
- screwdriver inserts: 10 and 13 mm long arm hexagon socket wrench  
Philips screwdriver  
5 mm Allen key
- equipment for trimming wooden slats, where necessary
- spirit level or laser pointer or plumb line.

**EXAMPLE OF FILE ATTACHED TO PRODUCT**

**NOTE: BEFORE BEGINNING THE ASSEMBLY, CHECK THE DATA IN THE BOX IN THE FIGURE TO IDENTIFY TO WHICH CONFIGURATION THE DECK TO BE ASSEMBLED BELONGS (SEE FIGURES 1A-1B).**

cod. 03656 descrizione: PEDANA EASY **Corradi**  
OUTDOOR LIVING SPACE

<p>COMMITTENTE</p> <p>Codice: _____</p> <p>Regione: Prov. _____</p>	<p>ORDINE</p> <p>Ordine/riga : _____ - data: _____</p> <p>consegna: _____</p> <p>Rif.: _____</p>
<p>DIMENSIONI</p> <p>LUNGHEZZA LATO PAR. ALLE DOGHE (PA1):      cm    ---</p> <p>LUNGHEZZA LATO PERP. ALLE DOGHE (PE18):    cm    ---</p>	<p>DETTAGLI</p> <p><b>A</b> NUMERO PASSI LATO PE18:                    nr    ---</p> <p><b>B</b> NUMERO PASSI INTERI 50:                   nr    ---</p> <p><b>Y</b> PASSO ESTREMITA' LATO 50:                cm    ---</p>

COLORE STRUTTURA: ALUINOX

APPLICAZIONE: STANDARD

CON LATO PA1 ESTREMI DEVERSI!

DETTAGLI

**A** NUMERO PASSI LATO PE18:                    nr    ---

**B** NUMERO PASSI INTERI 50:                   nr    ---

**Y** PASSO ESTREMITA' LATO 50:                cm    ---

CONF. LATO PE18 NO STANDARD

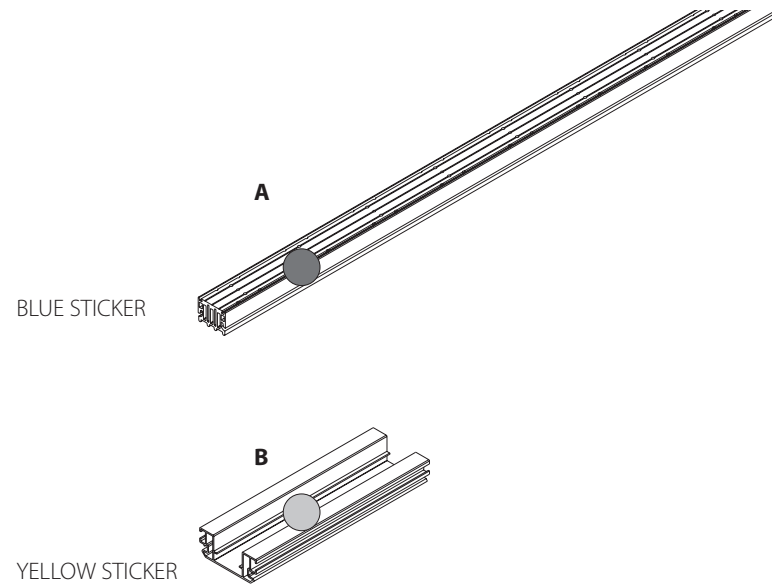
● BOLLINO GIALLO

Note:	Emettitore FDL:
-------	-----------------

MOG.701 Rev.0      4      Page 1 of 1      Resp. reparto: \_\_\_\_\_

**The file comprises:**

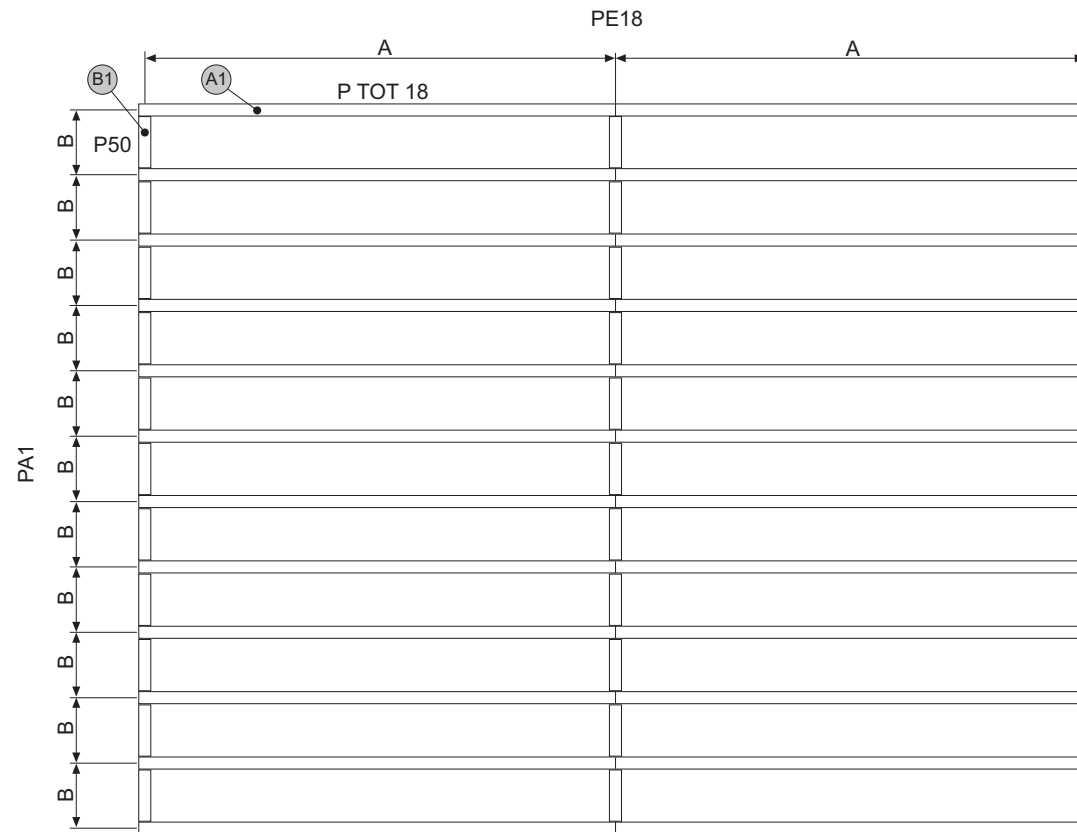
- summary cover
- list of profiles
- list of slats
- list of accessories



**Non-standard parts (marked with stickers)**

**A** - slats support guide **blue sticker**

**B** - short cross-beams **yellow sticker (Y)**



### FIG. 1-A –STANDARD CONFIGURATION

All **B1** components are standard and identical (**there are no components with blue or yellow stickers**).

There may be some "**Slat support guides**" components (see Fig. on p. 6) with a **blue sticker**, which should be inserted at the end of each row **A1**.

**A1** components are always the same length regardless of the number of pitches **A**.

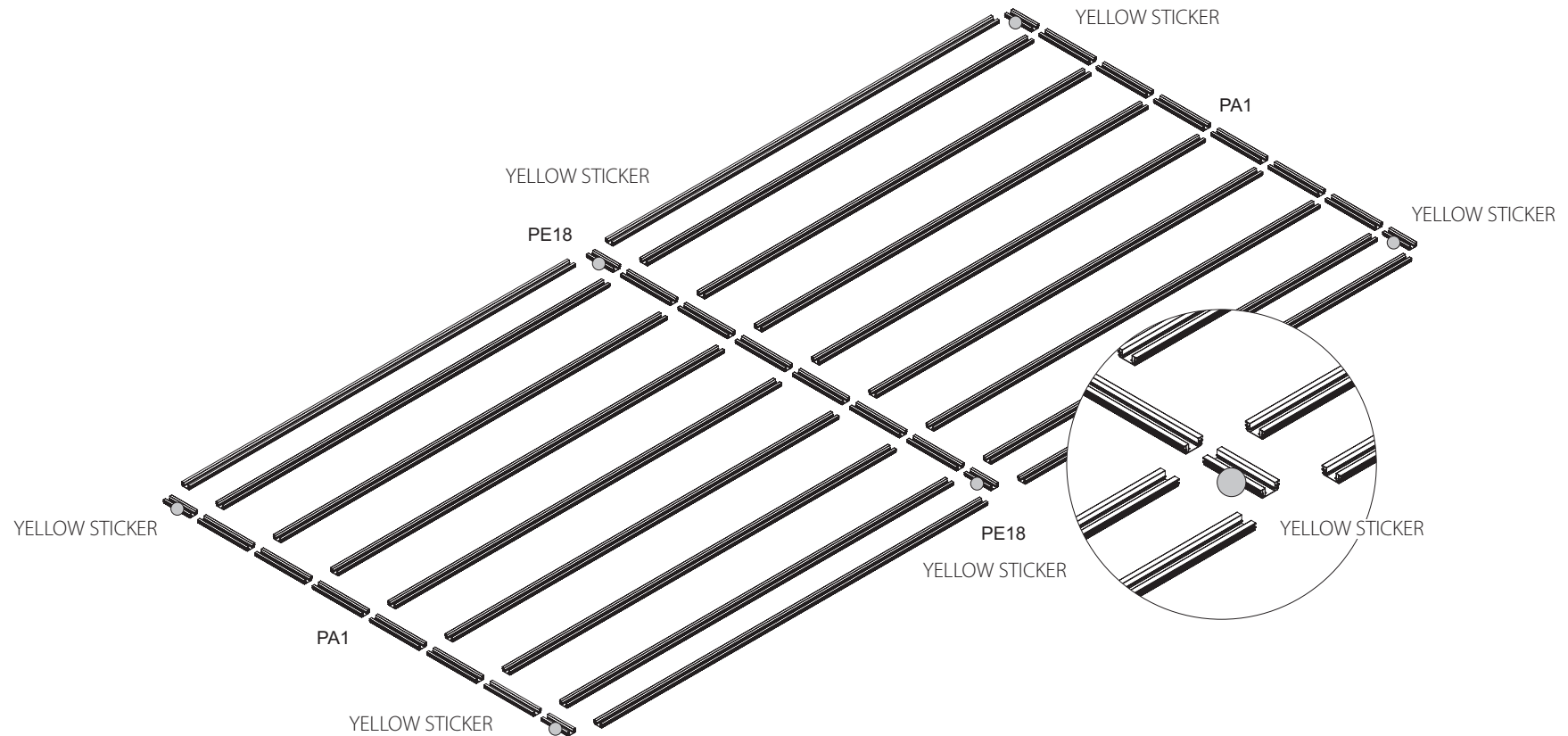
*Example of configuration*

*PTOT18 = 2 pitches (A)*

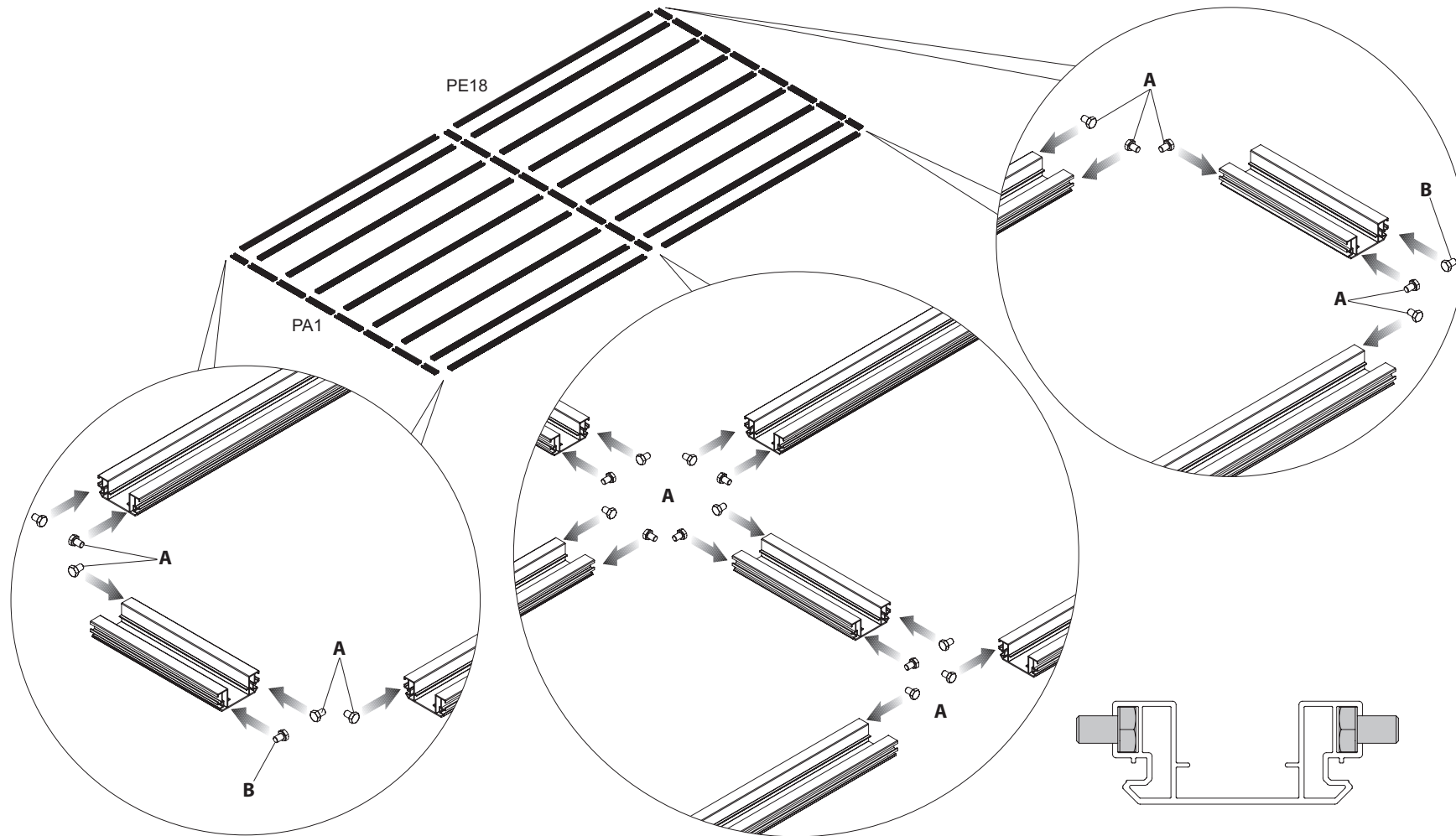
*P50 = 11 pitches (B)*

*PTOT50 (total number of pitches on side P50) = 11 pitches (B)*



**Fig. 2 – BEAMS COMPOSITION LAYOUT**

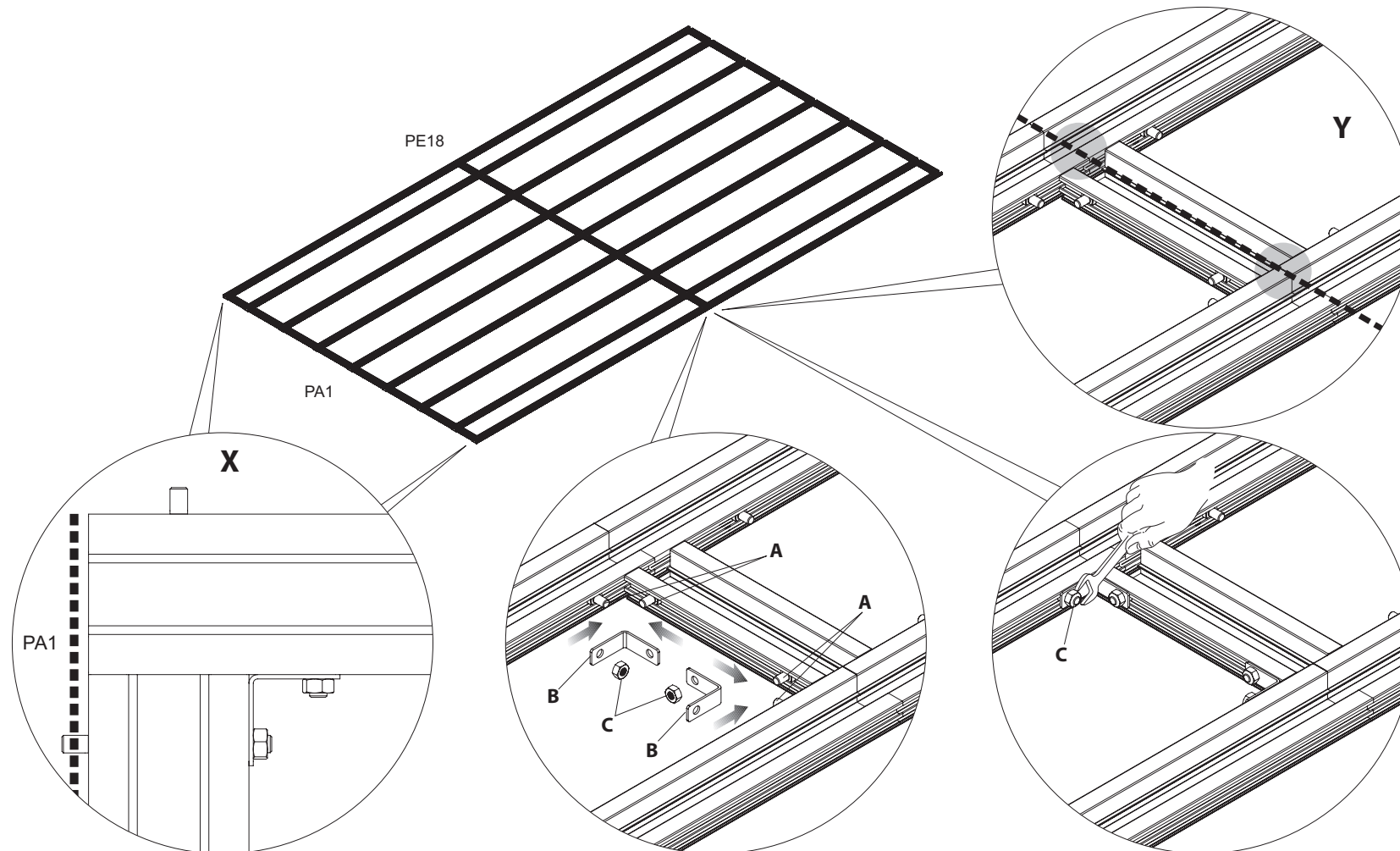
Lay out on the ground the short beams (side PA1) and the long beams (side PE18), paying particular attention to the position of the short ones (side PA1) marked with a yellow sticker which must always be positioned at the ends of side PA1.



**FIG. 3 – INSERTING BOLTS FOR ANGLE BARS AND COUNTER-FRAMES ON BEAMS**

In the relative guides of each short beam (side PA1) and each long beam (side PE18), insert, as indicated, bolts **(A)** for fastening the angle bars and bolts **(B)** for fastening the counter-frames (check they align with the holes).

- Bolts **(A)** N°2 per beam.
- Bolts **(B)** N°1 outside the four beams at the corners of the deck.



**FIG. 4 – MOUNTING BEAM JOINING ANGLE BARS**

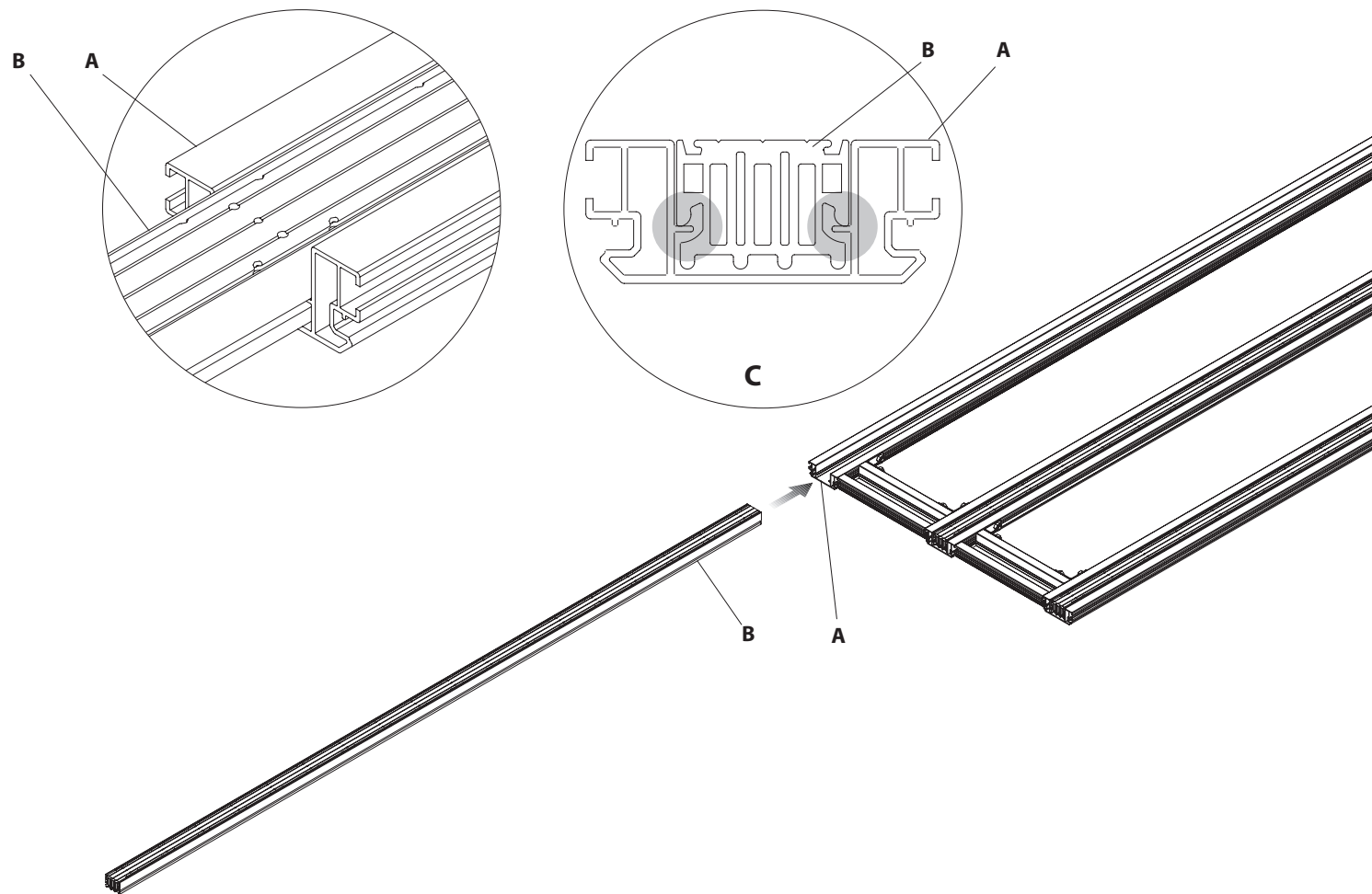
Align the beams (side PA1) as in callout **X**.

The lengthwise centre line of the central beams (side PA1) must be positioned at the end of the beams (side PE18) as in callout **Y**.

Slide bolts **A** into the beam guides, inserting them into the holes on the angle bars (**B**).

Tighten with the relative nuts (**C**).

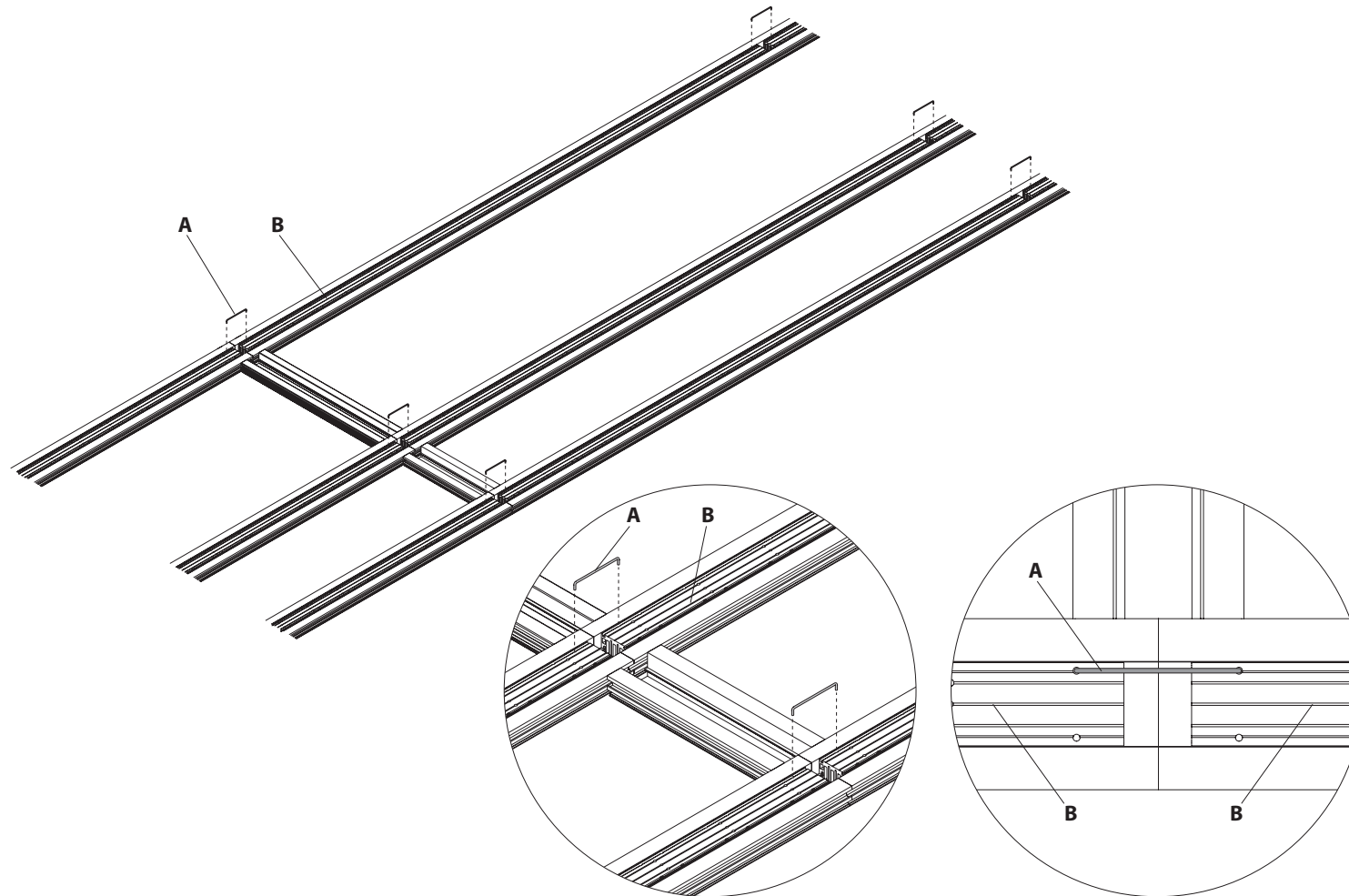
Perform these operations on all sections of the deck.



**FIG. 5 - MOUNTING THE SLAT SUPPORT GUIDES**

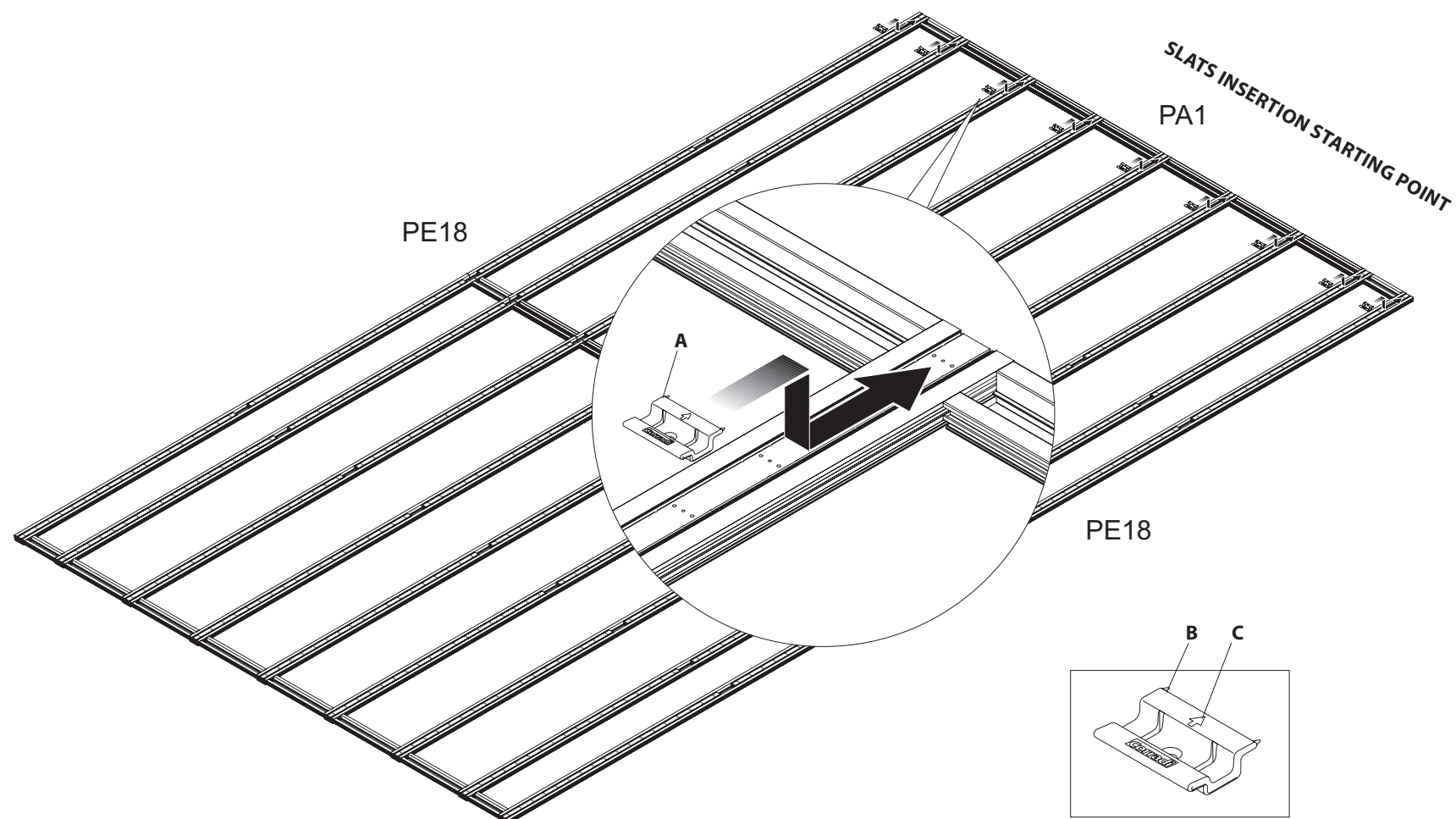
Insert the slat support guides (B) into the rows of long beams (A) to complete the rows. Check they are inserted correctly as in callout C.

 **N.B. TAKE CARE WHEN POSITIONING THE SLAT SUPPORT GUIDE MARKED WITH A BLUE STICKER; IT MUST BE INSERTED AS THE END PIECE OF EACH ROW.**



**FIG. 6 – INSERTING THE CONNECTING SPACERS**

Insert the connecting spacers **(A)** that keep the slat support guides stationary and at the correct distance **(B)**.

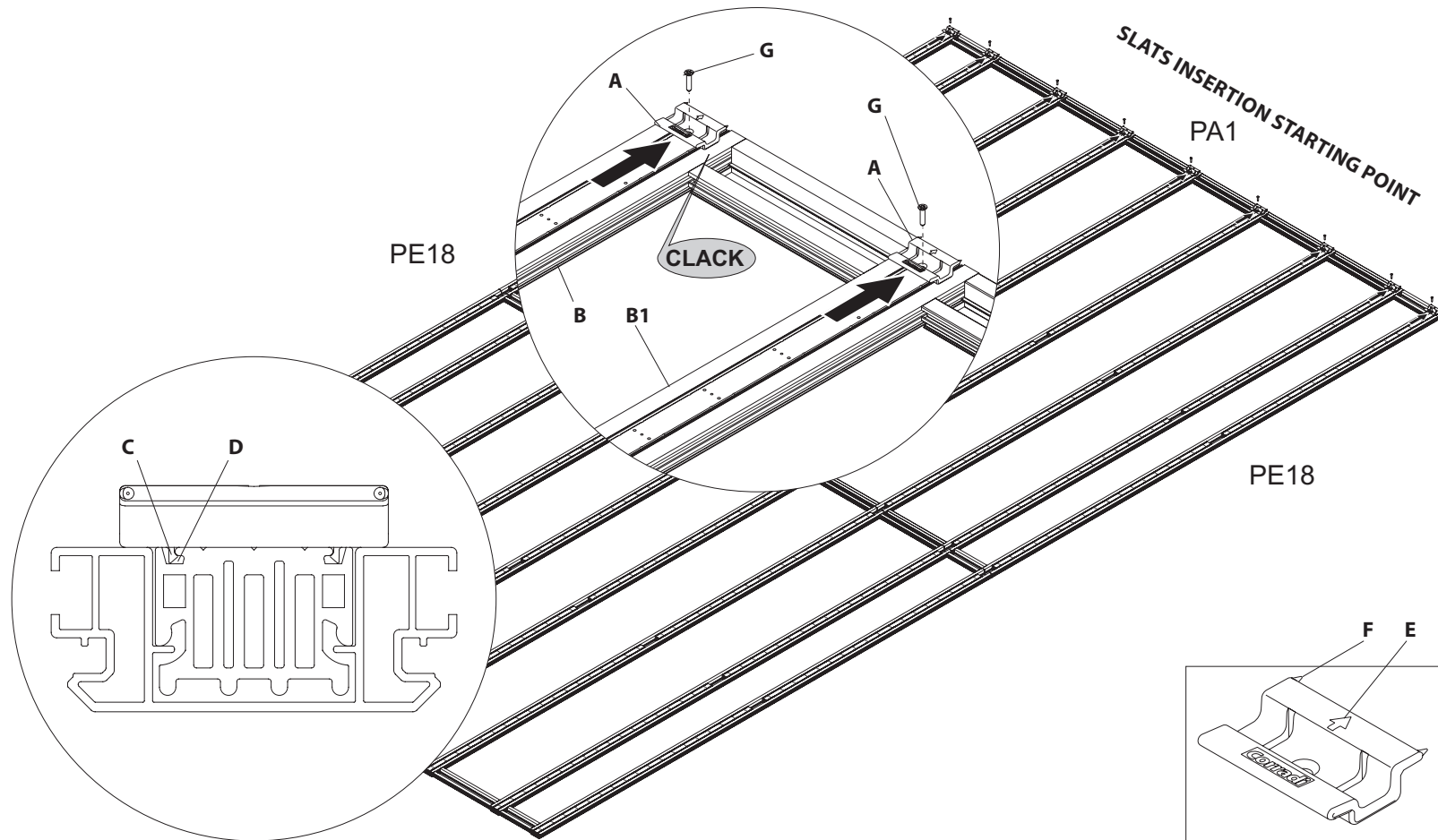


**Fig. 7 – FITTING THE OMEGA CLIPS ON THE BEAMS (SLATS INSERTION STARTING POINT)**

Choose the starting point for inserting the slats.

Insert the omega clips (A) on the outsides of the inner and outer slat support guides (starting side).

Take care when fitting the omega clips (A), as they must always all face the same direction towards the outside of the side where slats are first laid (use the two points (B) or the arrow (C) as a reference) and in the direction in which the wooden slats are inserted.

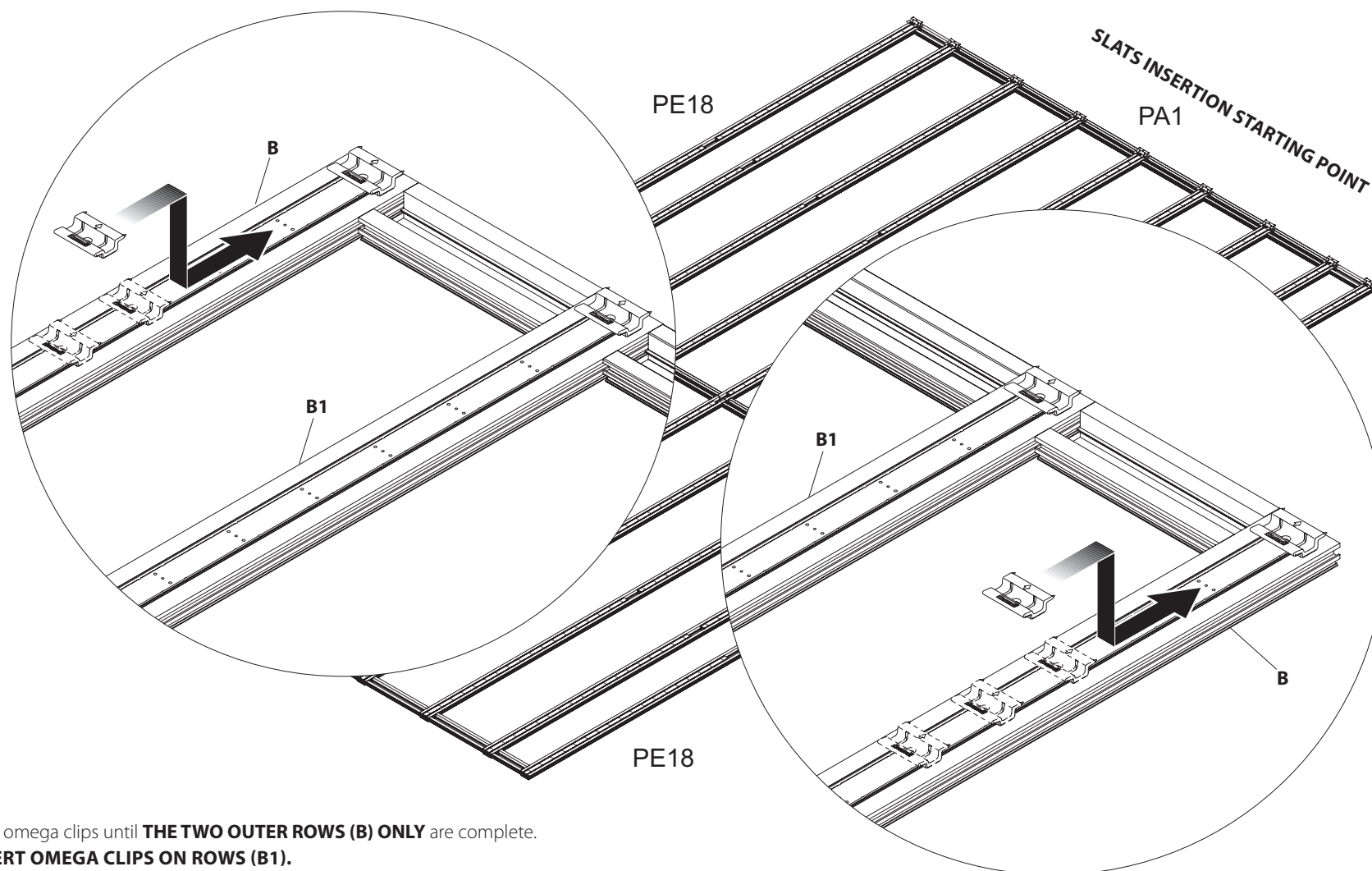
**Fig. 8**

Fit the omega clips (**A**) onto the outer (**B**) and inner (**B1**) guides, inserting the teeth (**C**) correctly into the tracks (**D**) of the guides.

Ensure the omega clips are inserted in the right direction; the arrow (**E**) and the two points (**F**) show the direction in which they must be inserted.

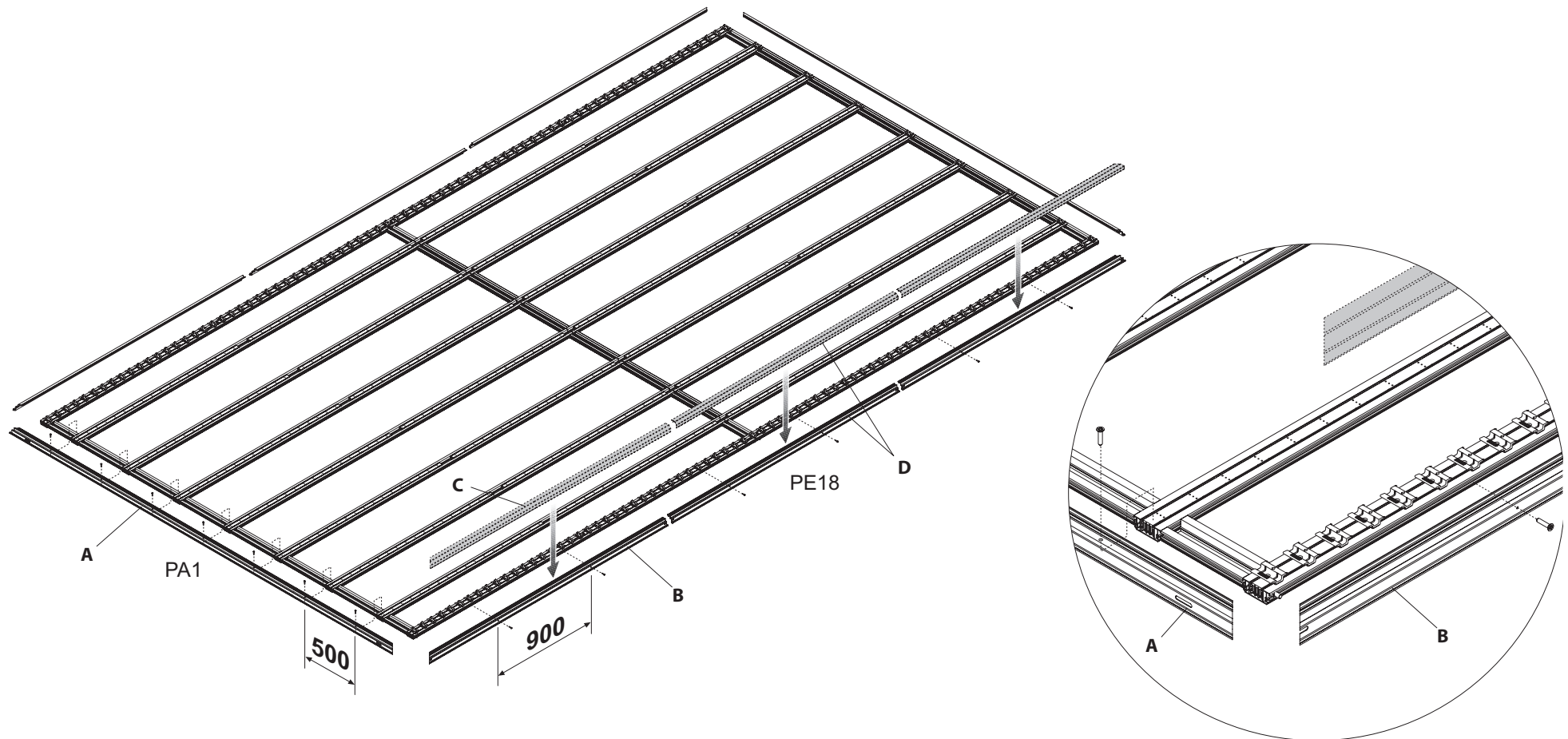
Slide the omega clips all the way into the guide tracks until they click into place.

Fasten the omega clips using the relative self-tapping screws (cod. 03669) provided (**G**).



**Fig. 9**

Insert the next omega clips until **THE TWO OUTER ROWS (B) ONLY** are complete.  
**DO NOT INSERT OMEGA CLIPS ON ROWS (B1).**



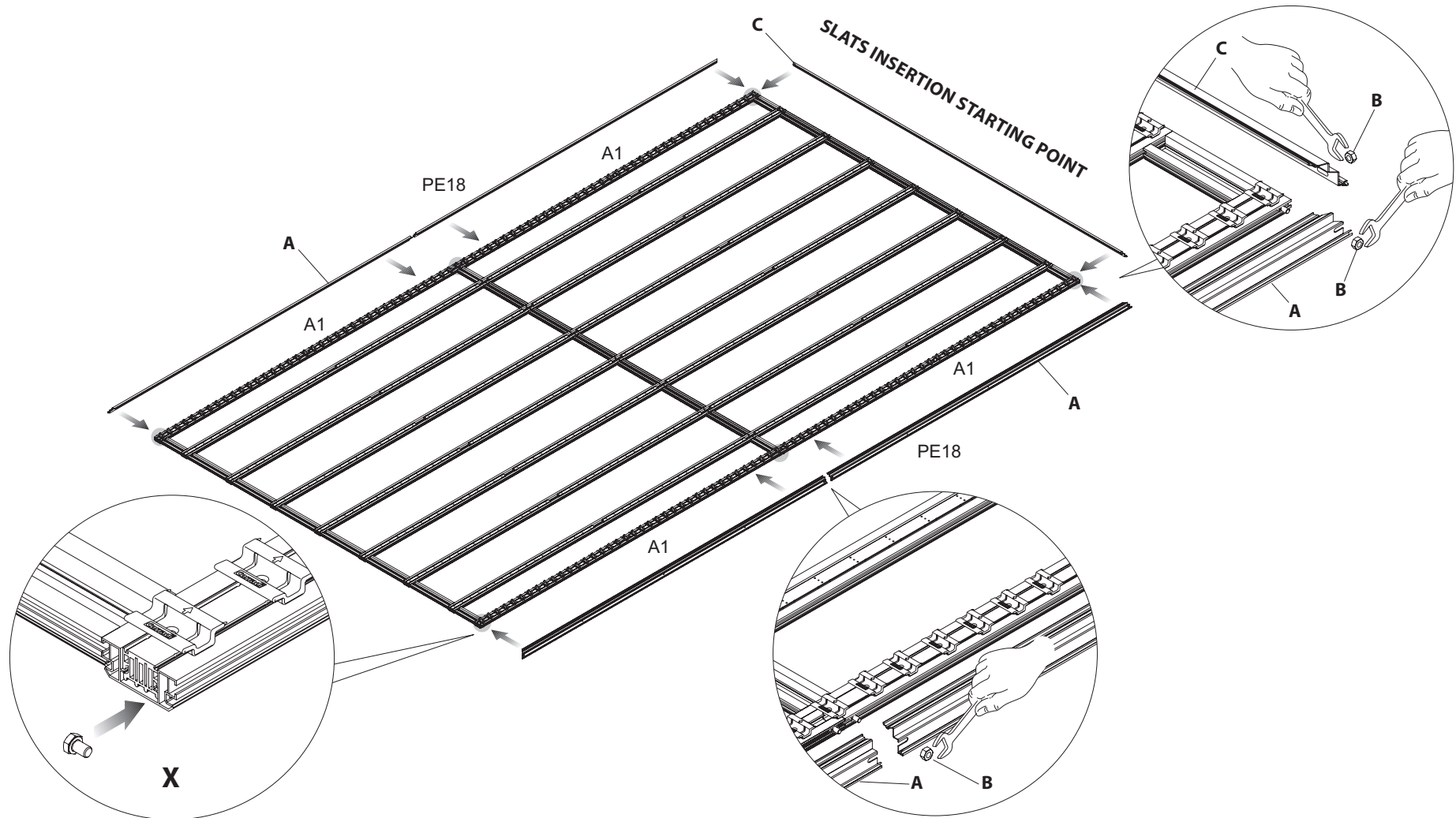
**Fig. 10 - COUNTER-FRAMES IDENTIFICATION (side PE18) (side PA1)**

The counter-frames **(A)** (side PA1) have holes for screws on the upper surface for fastening to the PVC slat support profiles every 500 mm.

The counter-frames **(B)** (side PE18) have holes for screws on the side surface for fastening to the outside of the guides every 900 mm.

For correct frame identification **(C)**, it is advisable to position on the counter-frames with corresponding length (silicone only after checking this).

N.B.: The elements with two straight cuts **(D)** are always central.



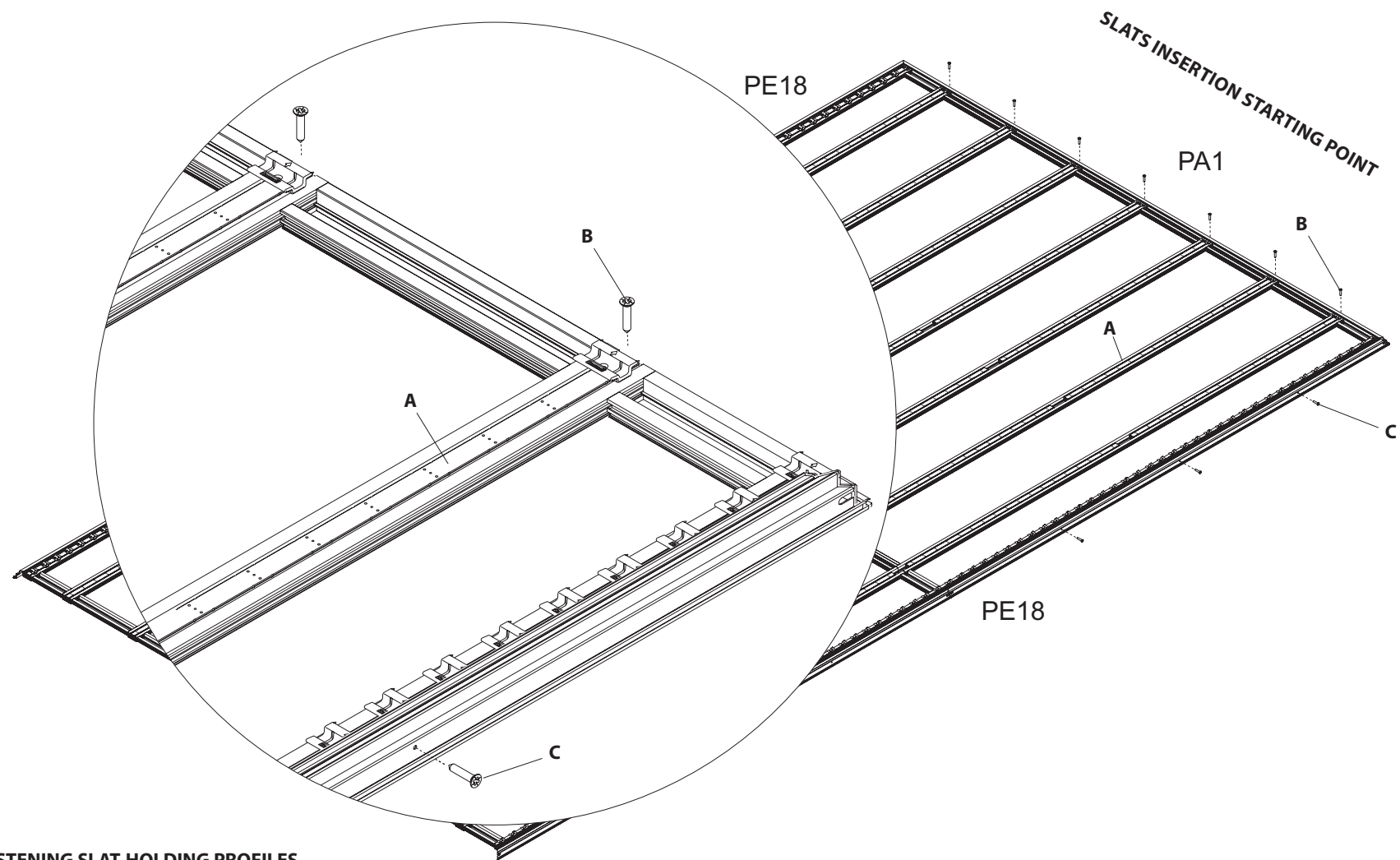
**Fig. 10 A - FITTING THE COUNTER-FRAMES (side PE18) AND COUNTER-FRAME ON SLATS INSERTION STARTING SIDE (PA1)**

Insert 4 screws on each outer side (**A1**), callout (**X**).

Fit the counter-frames (**A**) (slots closed) on two sides (PE18), aligning the slots with the bolts (**B**).

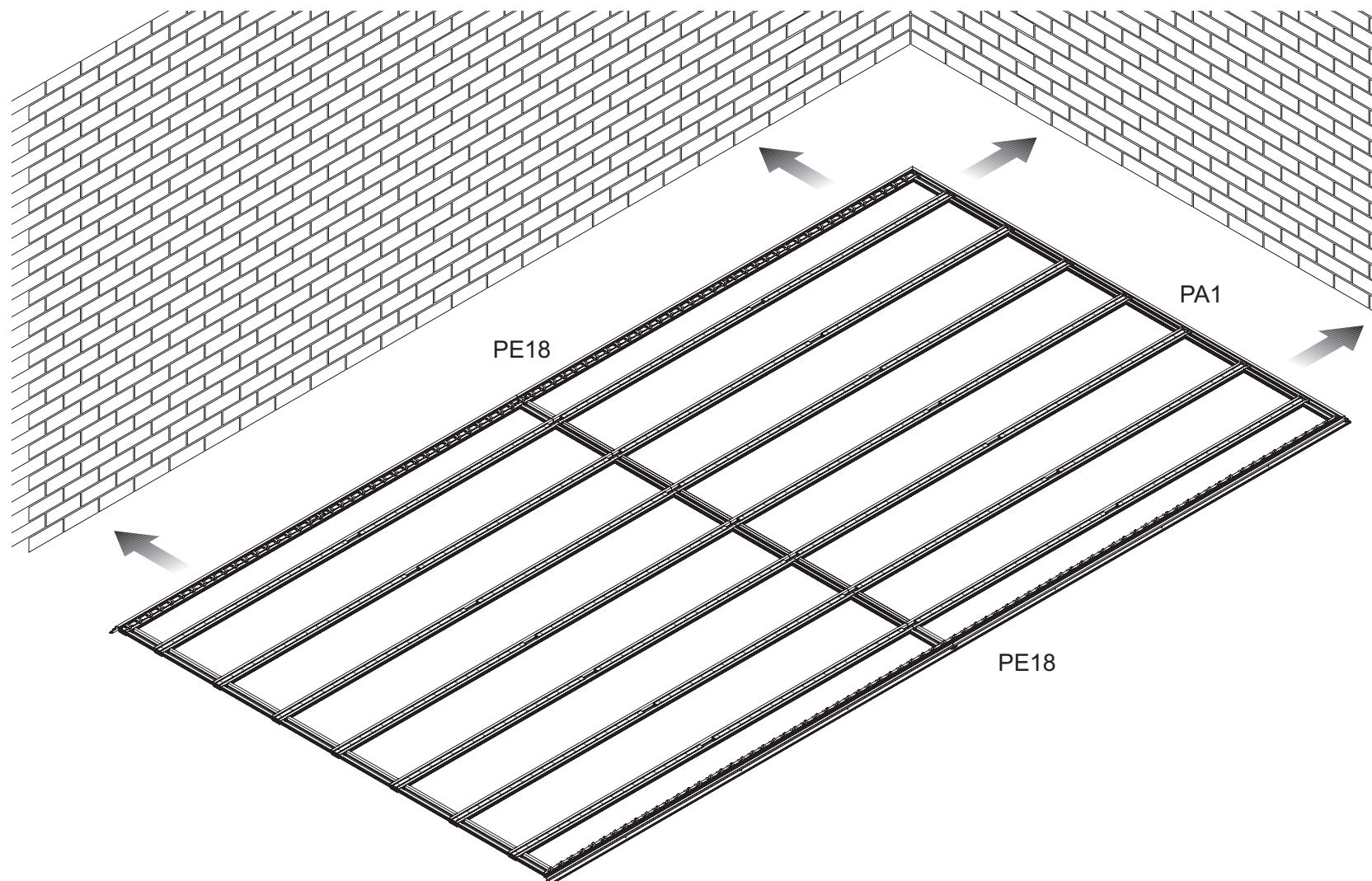
Fit the counter-frame (**C**) (slots open) on side (PA1) (slats insertion starting side), aligning the slots with the bolts (**B**).

Tighten the bolts (**B**).



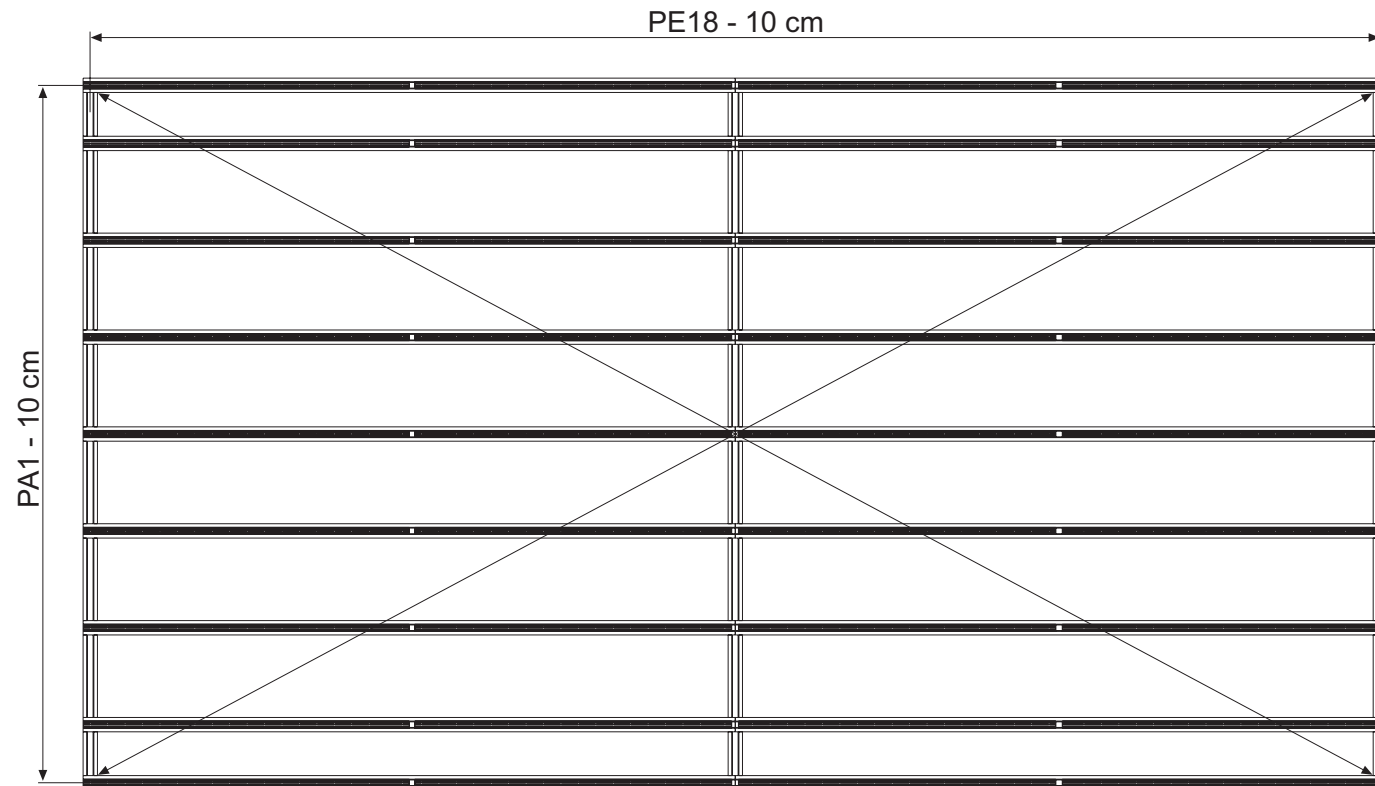
**Fig. 11 - FASTENING SLAT-HOLDING PROFILES**

Place the slat-holding profiles (A) flush with the slats insertion starting side, lock them to the counter-frames using the self-tapping cod. 01600 (B) and self-drilling screws cod. 03066 (C).



**Fig. 12 - DECK MOUNTED AGAINST A WALL**

Position the frame against the wall(s) in the definitive position and assemble the components as described in subsequent phases.

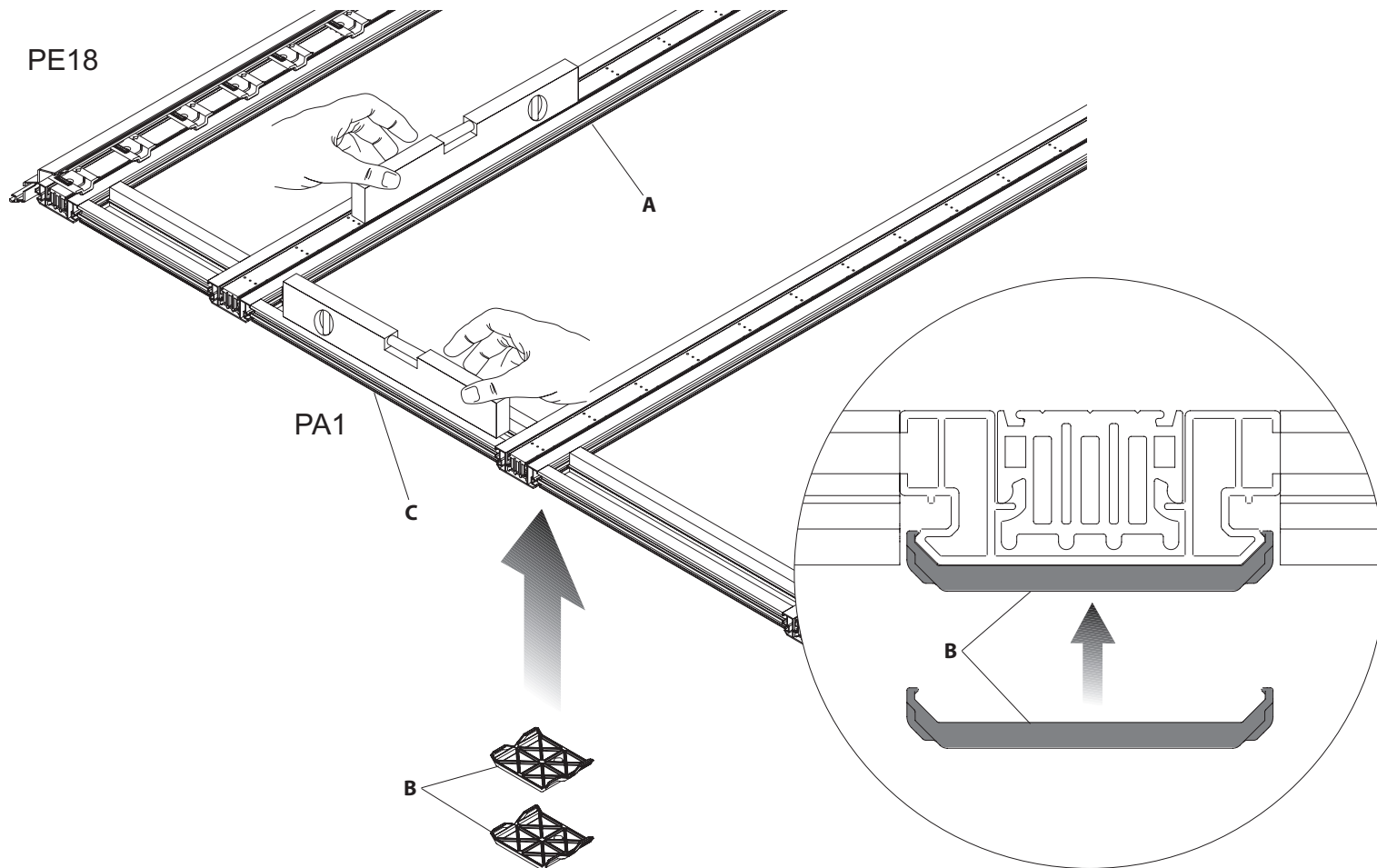
**Fig. 13 – CHECKING THE DIAGONALS**

Position the structure in the prepared area and check the diagonals.

Proceed with the levelling (see next page) and check the diagonals again.



**N.B. THE DIMENSIONS OF THE DECK TO BE INSTALLED MUST COMPLY WITH THE DATA GIVEN ON THE ORDER FORM ATTACHED TO THE ACCESSORIES BOX AND THE MEASUREMENTS MUST BE CHECKED THOROUGHLY.**



**Fig. 14**

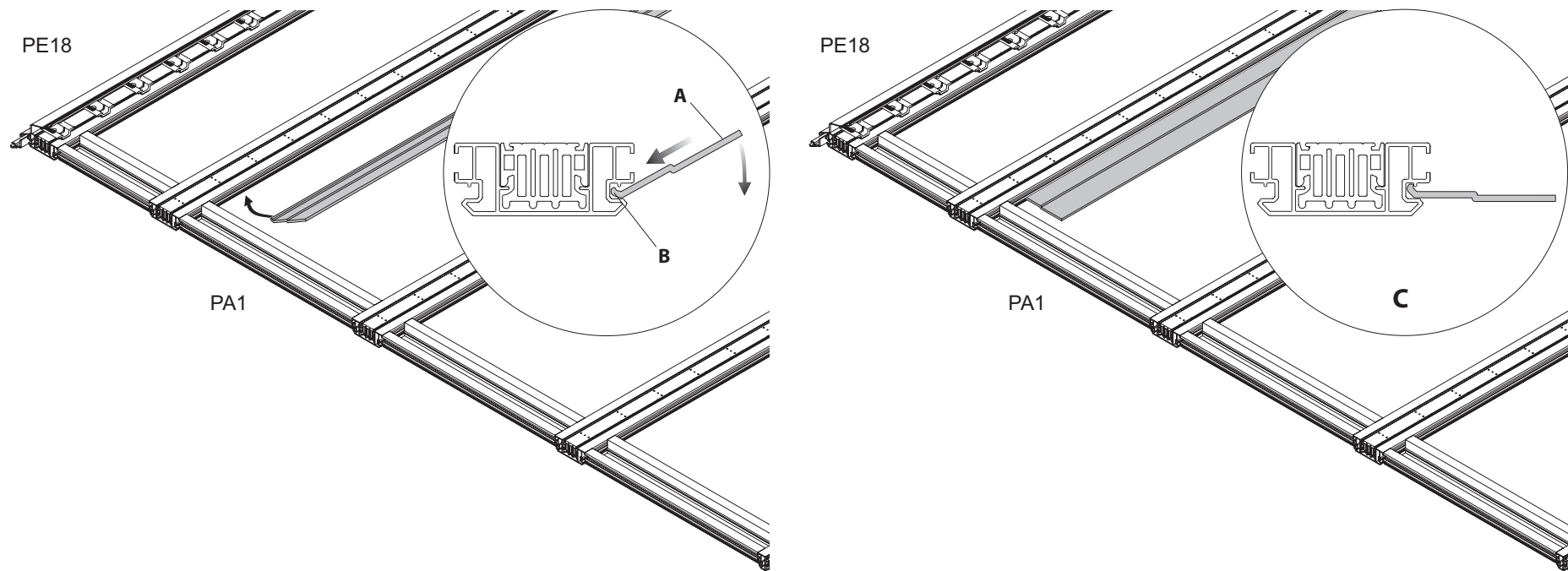
Position a spirit level on the long cross-beams (A) and fit into place the shims supplied on request cod. 03753 (B), if required, to adjust the height until it is perfectly level.

Alternatively, use other shims already in your possession.

Repeat for the short beams (C).

Repeat on all the cross-beams.

## 7 FITTING CHS SUPPORT FILLETS (IF PRESENT)



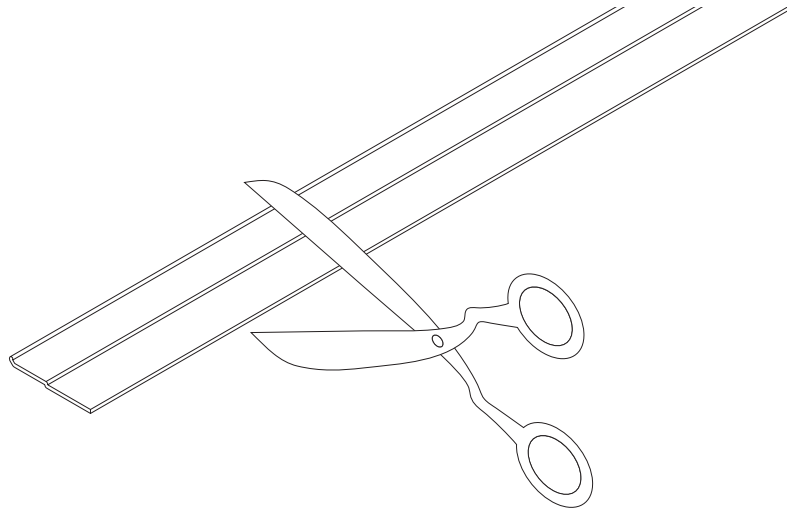
**Fig. 15 - CHS (if present)**

Insert the plastic CHS support fillets **(A)** into the groove on cross-beams **B** (on both sides), rotating slightly until it fits **(C)**.

*N.B. the CHS support fillets must only be inserted inside standard size pitches (P50) sides PE18.*

## FITTING CHS SUPPORT FILLETS (IF PRESENT) 7

---



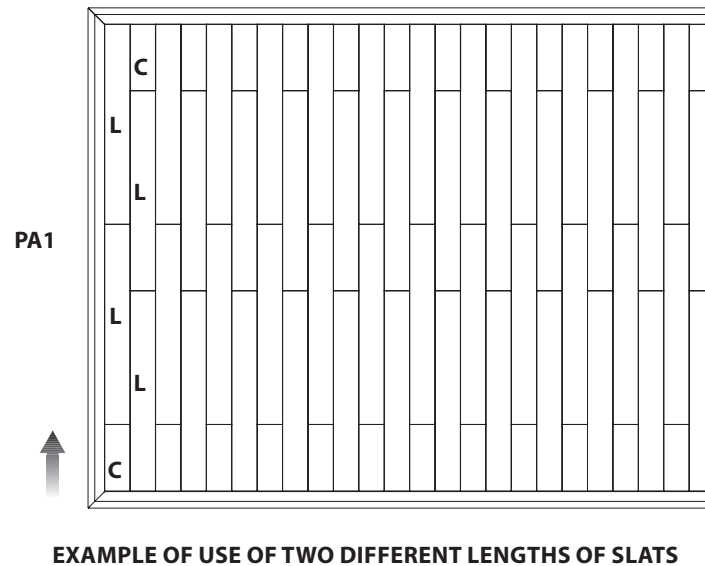
**Fig. 16**

When inserting the ballast supports into non-standard pitches (P50), cut the strips until they are about 10 cm shorter than the length of the cross-beams.



**WARNING: IF A CORRADI CHS HEATING SYSTEM IS BUILT INTO THE STRUCTURE, REFER TO THE SPECIFIC INSTALLATION MANUAL NOW.**

THE SLATS ARE SUPPLIED BY CORRADI IN THE CORRECT LENGTHS. NO ADJUSTMENT TO THE LENGTHS IS REQUIRED.



**Fig. 17 - LAYOUT OF SLATS (WITH TWO DIFFERENT LENGTHS)**

Two lengths of slats are required for these configurations:

L - 1500 mm

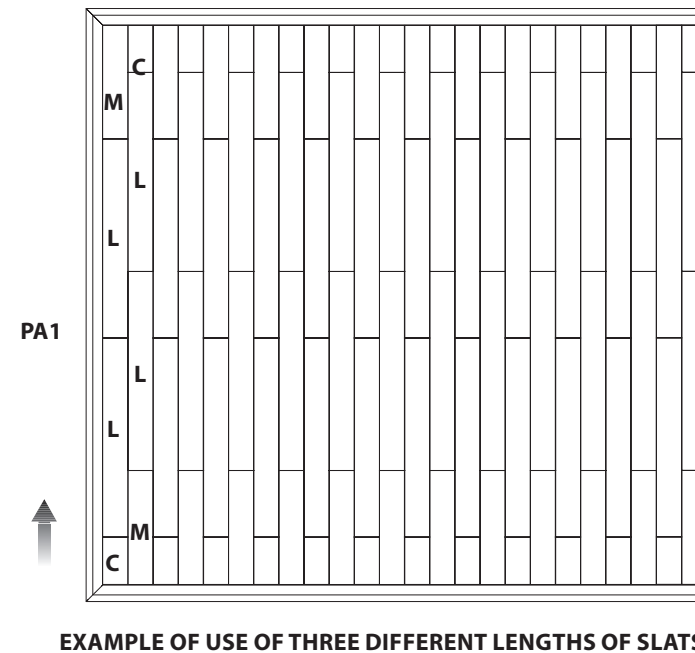
C - 500 - 1000 mm

Insert the first short slat (C) against the frame, insert the long slats (L) (as many as are required by the length of side PA1).

Make the second row by inserting the slats (L) and complete with the slat (C).

**N.B. after laying out the first two rows, check the layout is correct.**

Continue in the exact same way until all the slats are laid out.



**Fig. 18 - LAYOUT OF SLATS (with two different lengths)**

Three lengths of slats can be used for these configurations:

L - 1500 mm

M - medium

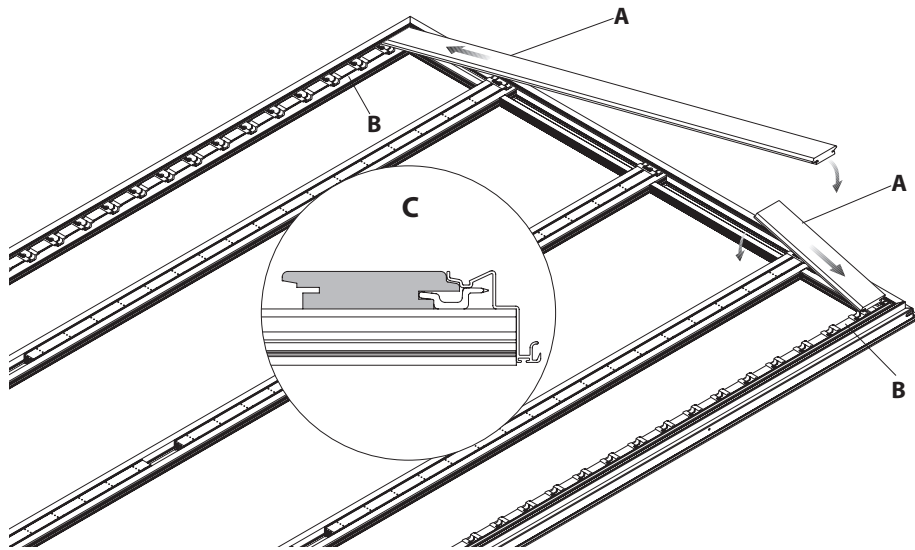
C - short

Insert the first short slat (C) against the frame, insert the central long slats (L) (as many as are required by the length of side PA1) and complete the first row with the medium piece (M).

Make the second row by inserting the slat (M), then the central slats (L) and complete with the slat (C).

**N.B. after laying out the first two rows, check the layout is correct.**

Continue in the exact same way until all the slats are laid out.

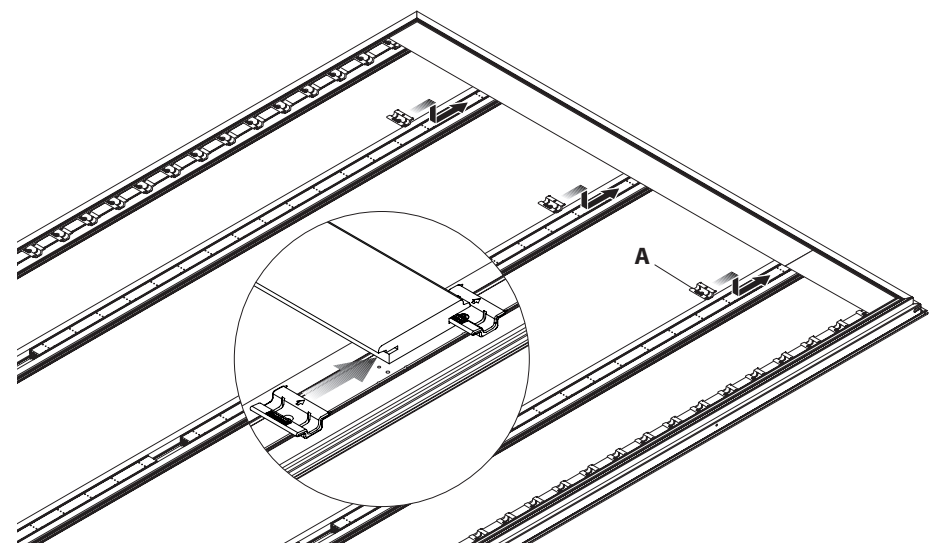


**Fig. 19 - INSERTING THE SLATS**

Insert the side slat (A) over the omega clip of the side cross-beam (B), inserting it between the first two omega clips. Turn slightly in order to rest it on the central cross-beam, then push it all the way against the frame.

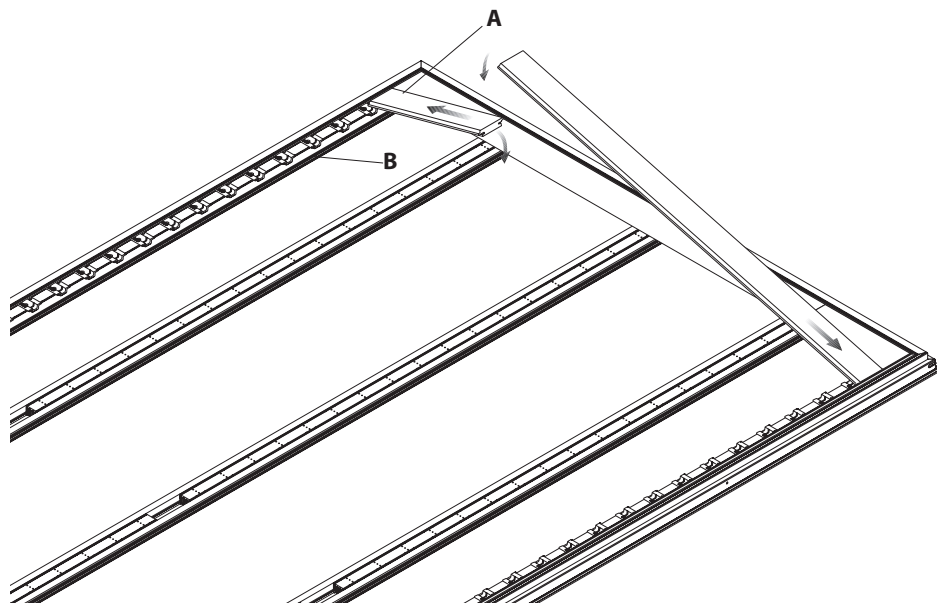


**N.B. TAKE CARE TO INSERT THE SLAT (C) IN THE RIGHT DIRECTION.**



**Fig. 20**

Insert the omega clips (A) onto the central guides, sliding them until they click against the slats. Fasten each omega clip with the screw provided.

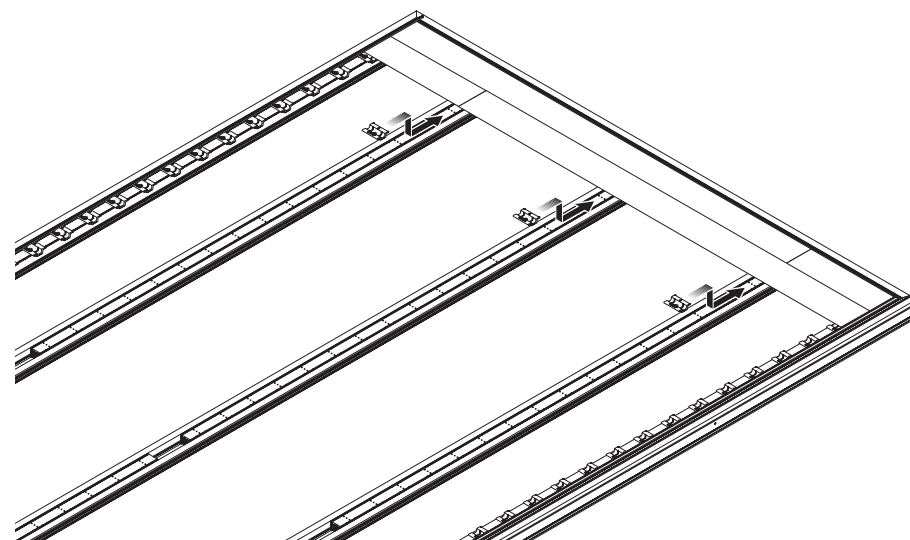


**Fig. 21 – INSERTING THE SLATS**

Insert the side slat **(A)** over the omega clip of the side cross-beam **(B)**, inserting it between the two omega clips. Turn slightly in order to rest it on the central cross-beam, then push it all the way against the omega clips.



**N.B. TAKE CARE TO INSERT THE SLAT IN THE RIGHT DIRECTION.**



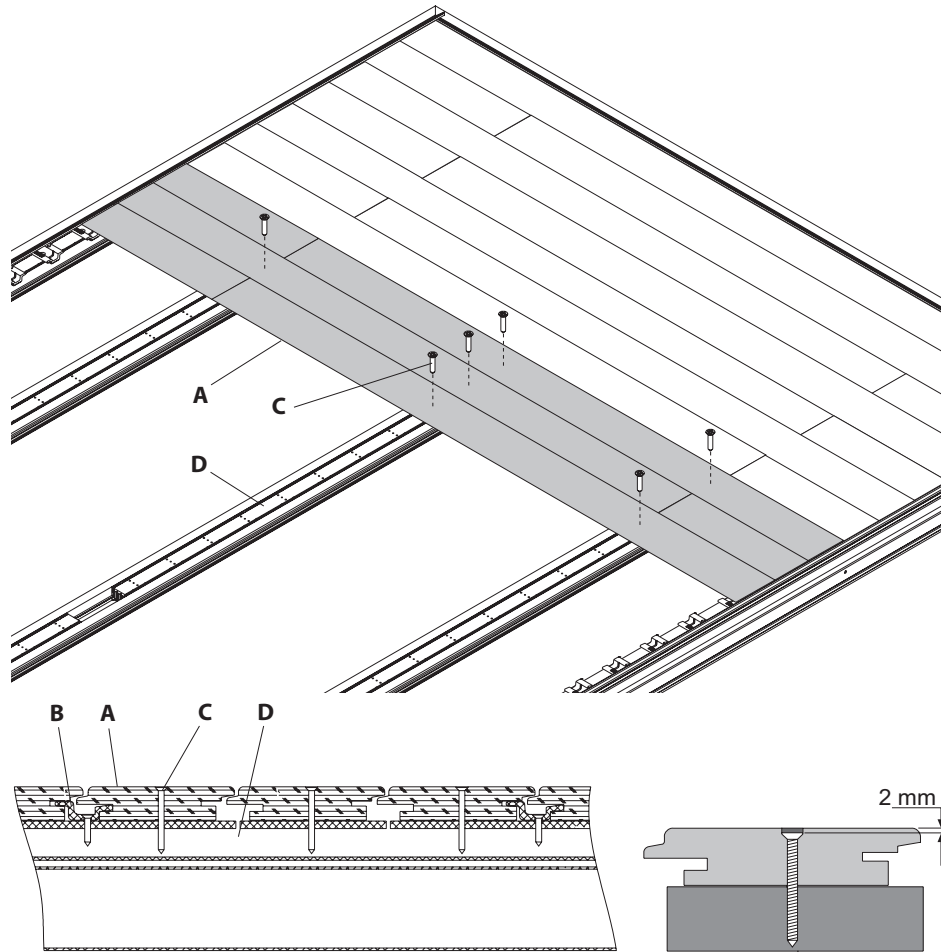
**Fig. 22**

Repeat all the operations until all the slats are laid.



**N.B. LAY THE SLATS OF VARIOUS LENGTHS IN A STAGGERED PATTERN.**

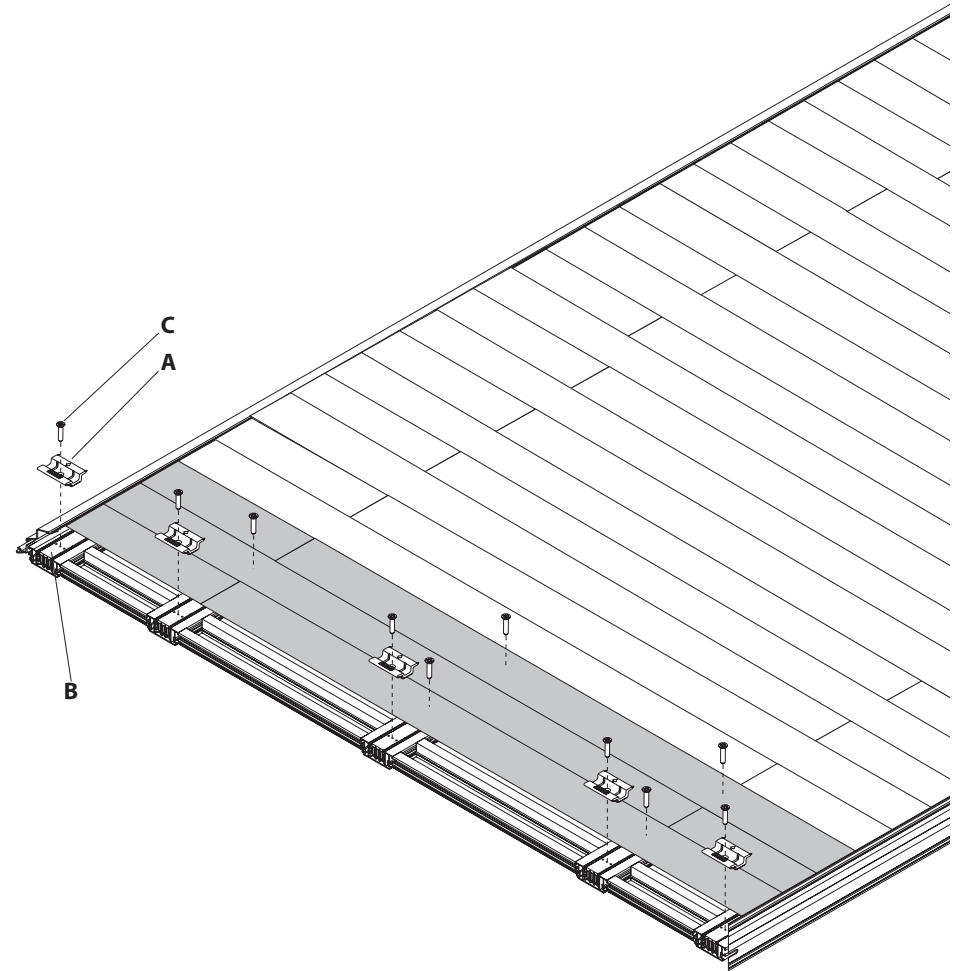
Continue, staggering the end slat on each row.



**Fig. 23 – ACCESSIBLE SLATS**

To enable the slats (A) to be disassembled, whenever necessary, three rows of slats must be laid (every 2-3 metres) using the screws (C) on the PVC base (D) (see cross-section), instead of the omega clips (B).

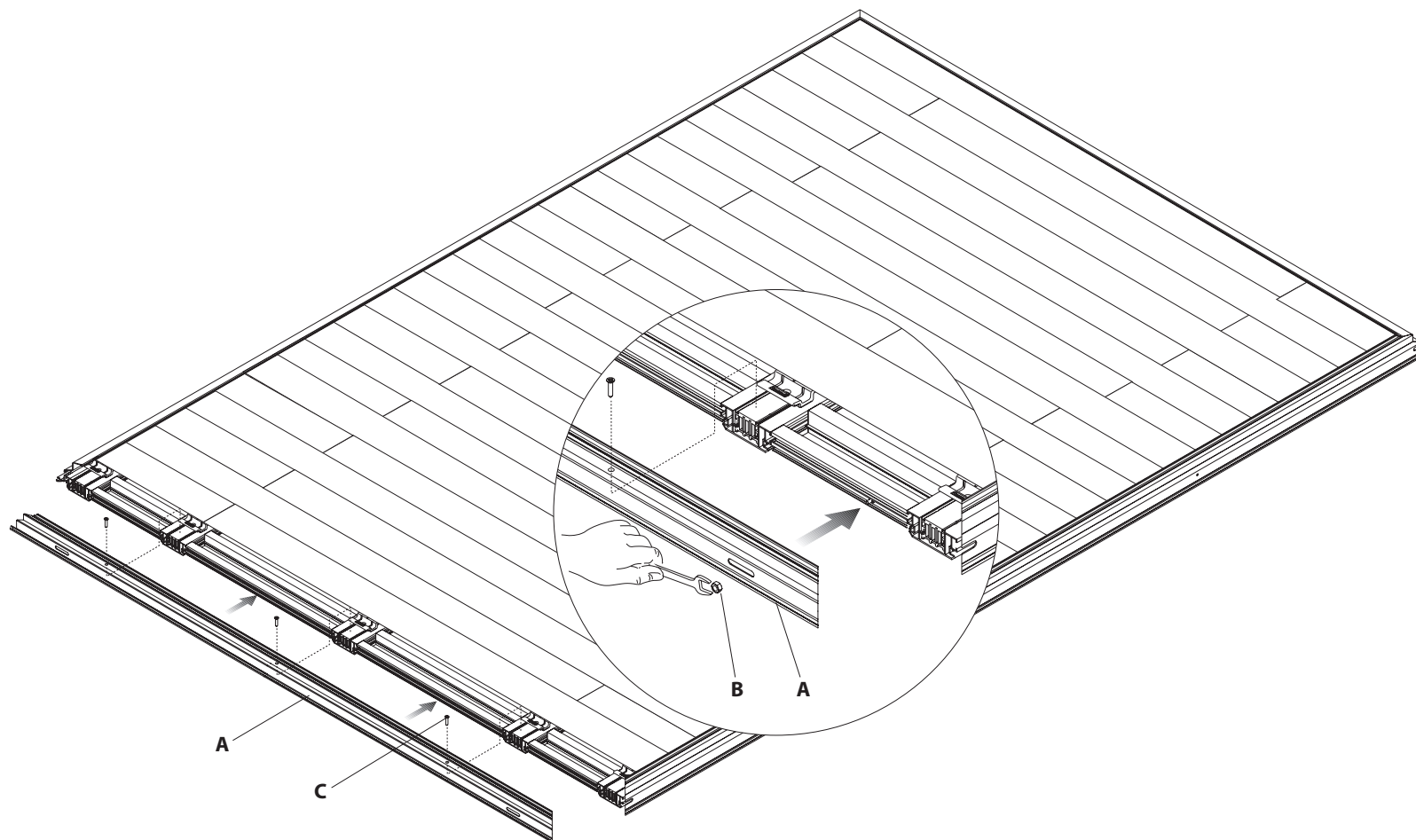
*N.B. Tighten the slat fastening screws at least 2 mm under the surface of the slats, so that they can be concealed using filler.*



**Fig. 24**

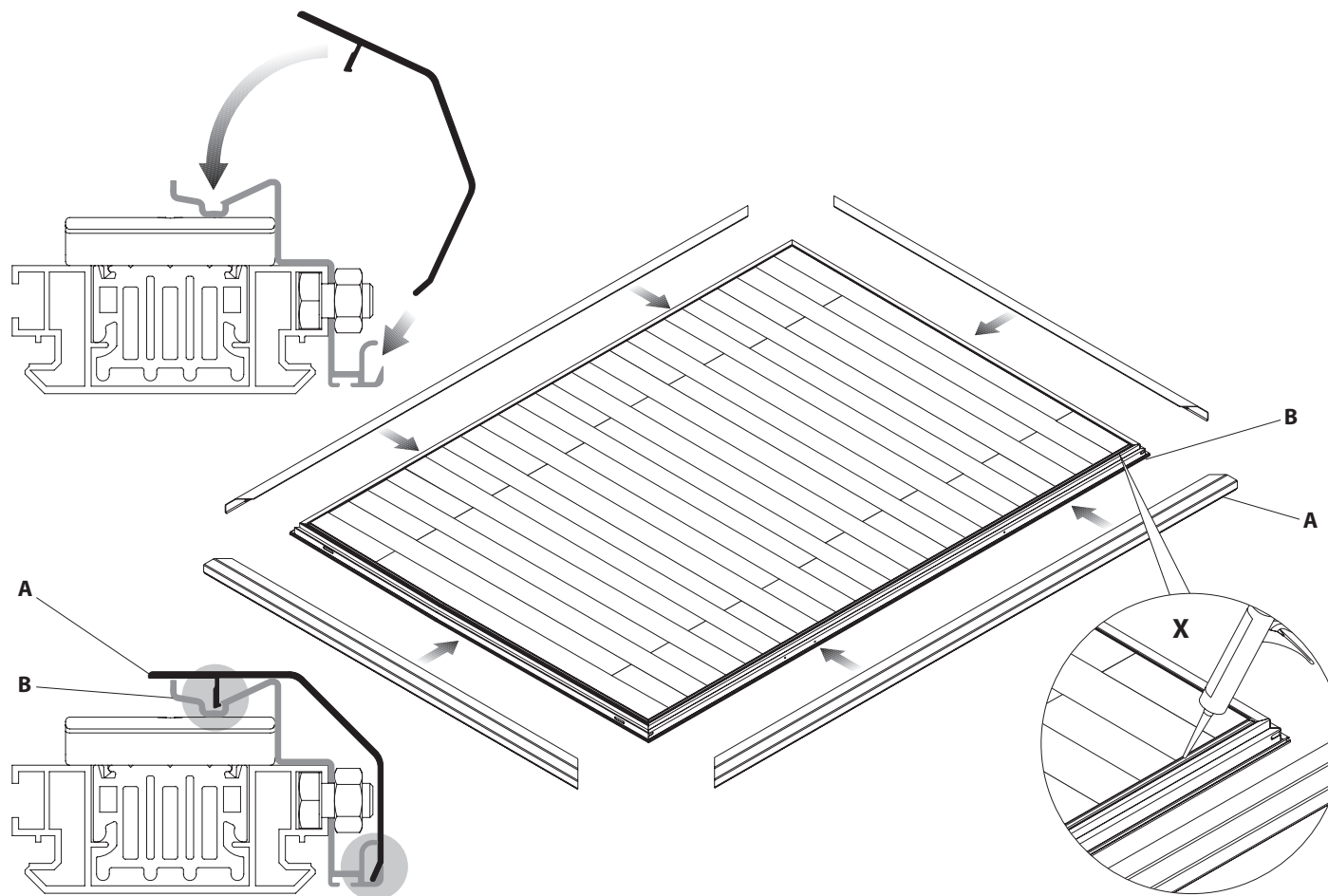
The last three rows of slats must be accessible.

Fasten the last slat by fastening the remaining omega clips (A) to the ends of the profiles (B) on the last row using the screws provided (C).



**Fig. 25 - FITTING THE LAST COUNTER-FRAME**

Fit the counter-frame **(A)** (slots open), aligning the slots with the bolts **(B)**.  
Tighten the self-tapping screws cod. 01600 **(C)** on the slat-holding profiles.  
Tighten the bolts **(B)**.



**Fig. 26 - FITTING THE FRAMES**

In the joining areas, apply 3 cm silicone beads roughly every 50 cm as shown in callout **X**.  
Fit the frames (**A**) onto the counter-frames (**B**), as indicated.

*Page left intentionally blank*

*Page left intentionally blank*



