

INSTALLATION MANUAL

Translation of the original manual in Italian

Dear installer,

In this manual you will find all recommendations for a fast and precise installation of the components. Sure of your expertise in the use of our products, we recommend you to strictly respect our indications. We are also willing to accept suggestions and useful information on possible improvements both in installation techniques and form of this manual.

We would like to remind you to always consider the installation conditions by checking with the utmost attention the conformity of the chosen materials with the environmental conditions.

It is also a good rule to issue a final declaration of correct installation according to the specifications provided for in this manual, beside the mandatory declarations of conformity required by law, where requested.

BRIO is a product by CORRADI s.r.l.

Any technical operation necessary during the installation must be carried out exclusively by skilled and authorised personnel.

Any personal operation (tampering with, technical changes, etc.) performed during the warranty period voids the warranty immediately.

CORRADI S.r.l. reserves the right to apply technical changes to the components or the product, without prejudice to the main features, at any time without notice.

CONTENTS

SYMBOLS.....	2
CONTROLS	3
MATERIAL CHECK, UNPACKING AND PREPARATION.....	4
MAIN COMPONENTS AND INSTALLATION SEQUENCE	6
1 DRILLING TEMPLATE.....	8
2 PLATE ALIGNMENT CHECK.....	10
3 OPENING THE PROTECTION CASSETTE.....	11
4 PROTECTION CASSETTE OVERHEAD ANCHORAGE.....	13
5 PROTECTION CASSETTE WALL ANCHORAGE.....	17
6 PROTECTION CASSETTE ANCHORAGE ON PALLADIA.....	22
7 VERTICAL RUNNERS	26
8 FIXING FIXED RUNNERS WITH CEILING MOUNTED PROTECTION CASSETTE.....	27
9 FIXING FIXED RUNNERS WITH WALL MOUNTED PROTECTION CASSETTE.....	29
10 TERMINAL INSERTION	30
11 COMPLETING THE RUNNER INSERTION	32
12 MOVEMENT TESTING	34
13 CLOSING THE CEILING MOUNTED PROTECTION CASSETTE.....	35
14 CLOSING THE WALL MOUNTED PROTECTION CASSETTE.....	36
15 LOCKING THE PROTECTION CASSETTE.....	37
16 OPENING THE PROTECTION CASSETTE FOR MAINTENANCE	38
17 REMOVING THE CEILING MOUNTED PROTECTION CASSETTE	39
18 OPENING THE SIDE RUNNER.....	40
19 REMOVING THE WALL MOUNTED PROTECTION CASSETTE	41
20 INSTALLATION ON UNEVEN FLOOR.....	42
21 INSERTING AWNING SLIDERS	43
22 LOCK PROCEDURES	44

SYMBOLS

SYMBOLS

These symbols are used to draw the installer's attention to specific operating conditions or subjects of particular importance for the safety of persons or the integrity of the product.



Attention: general operating note



Attention: pay utmost attention to the indications provided herein



Attention: general hazard - possibility of damage to people, property, components



Attention: electrical hazard



Attention: hand crushing hazard



Contact CORRADI s.r.l. or an authorised retailer

GENERAL PRECAUTIONS



Before performing any installation, maintenance or cleaning operation, make sure to have understood the content of this manual. Failure to respect the instructions provided herein relieves CORRADI s.r.l. from any responsibility on damages to people, animals, property and/or components. The installation personnel must thoroughly respect the local prevailing accident-prevention regulations.



The electric connections for handling, installing automation accessories etc. must be performed exclusively by skilled personnel.

If the structure is connected to a motor and installed at less than 250 cm from the ground, the control button must be a "dead-man" switch button and the opening and closing movements must be perfectly visible.



Should you find any inconsistency, please contact CORRADI s.r.l.

GENERAL SAFETY WARNINGS

Intended use

Any misuse of BRIO relieves CORRADI s.r.l. from any responsibility.

When using the awning, please remember that each moving part can represent a hazard.



Do not remove casings, if any, after installation and, should they be removed for maintenance, first cut off the power supply (in case of motor-driven movement).

We recommend not to intervene on a moving part and make sure that no one is close to the structure before reactivating it after a technical and maintenance operation.



During the installation, maintenance, repair or adjustment operations, it is compulsory to cut off the power supply (if any).



We recommend putting a warning sign on the power supply main switch with the following indication:
"Attention! Do not touch. Service personnel at work".

WARNINGS AND CAUTIONS

The installation personnel (installers, electricians, etc.) must have the specific skills and mental and physical requirements necessary to perform the assigned tasks.

Upon installation, always perform preventive checks of the correct assembly, operation and efficiency of electrical and manual controls.



In case of faults, stop the movements immediately and contact the technical service of CORRADI s.r.l.



The use of non-original spare parts, tampering and unauthorised changes relieves CORRADI s.r.l. from any responsibility for damage to people, property or animals.
It is strictly forbidden to tamper with the connections, supports, runners, retainers, control and transmission units, and any other component of BRIO awning.



ATTENTION

All indicated measures (unless otherwise specified) are expressed in centimetres.

PRELIMINARY CHECKS

When receiving the packed goods and before proceeding with the installation, check the material integrity and the presence of all components necessary for the installation.
Thoroughly follow the information provided in the paragraph "Material check, unpacking and preparation".



In case of faults, contact CORRADI s.r.l. or an authorised retailer

DISPOSAL OF MATERIAL PACKAGING

Divide the different packagings according to the type of material (cardboard, nylon, polystyrene, etc.) and dispose of separately, in compliance with the standards in force.

REMOTE CONTROL

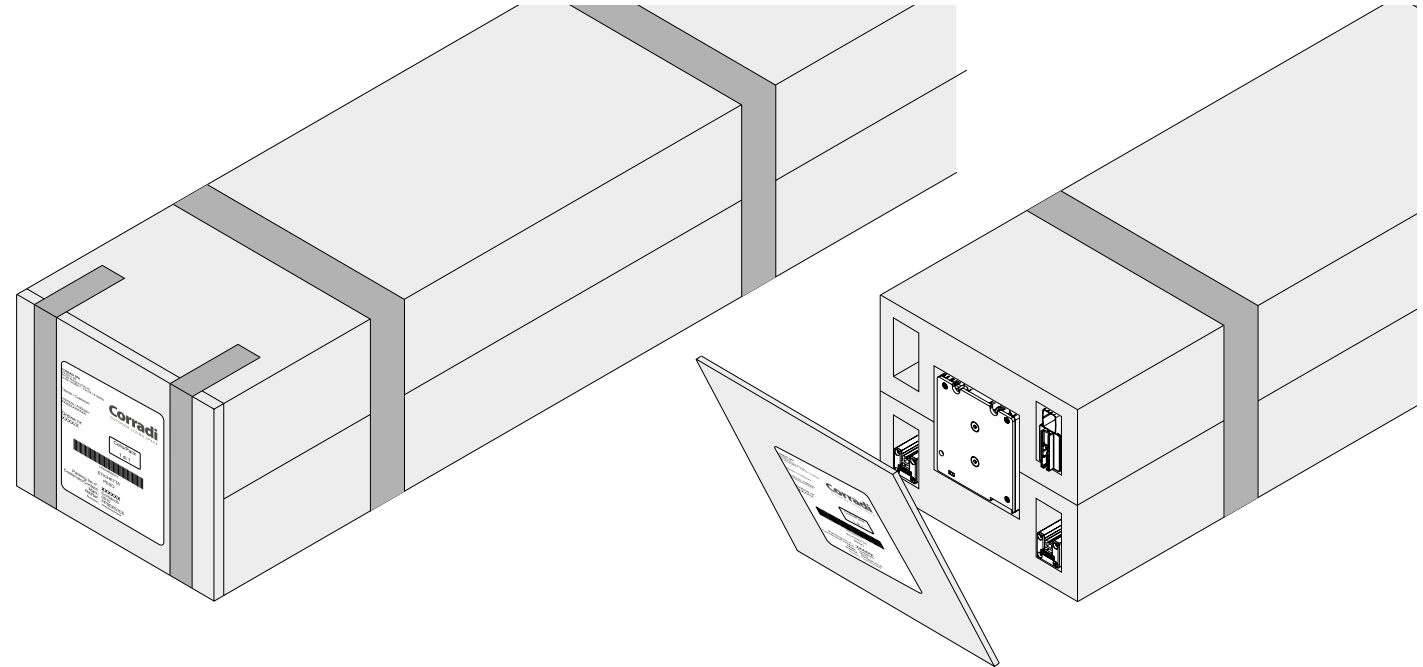
BRIO is equipped with a remote control, to raise, lower, and stop the canvas.

For functional and motor programming operations, refer to the relevant manuals of the chosen remote control and of Tubular motor.

MATERIAL CHECK, UNPACKING AND PREPARATION

Corradi Srl Via M. Serenari, 20 - 40013 Castelmaggiore (BO) Italy T +39 051 4188 411 - F +39 051 4188 400 www.corradi.eu		 OUTDOOR LIVING SPACE
Cliente / Customer: XXXXXX		
Indirizzo / Address: XXXXXXXXXXXX XXXXXXXXXXXXXXXXXXXX		
Ordine nr: XXXX/X	Collo/Pack 1 di 1	
 L406396M0010		
ETICHETTA PESO		
Packing list n°: XXXXXX Contenuto/Content: Comando Mark: 0010 Rif/Ref: FPSERVICE Numero: xxxxxxxxxxxx		

LABEL FACSIMILE



PRELIMINARY INSPECTIONS

BRIO is shipped in a strong package that protects it from impacts or crushing thanks to suitable polystyrene housings. The cover has a label indicating:

- the manufacturer data
- the order number
- the recipient name
- the customer reference name
- the package number
- the weight

Before opening the package, check that the data correspond to the ones you have.

The package contains, inside suitable housings, the components and accessories required for the installation of the awning and the User manual.



Note:

there are no retaining elements like screws and dowels since they must be decided by the installer according to the type of mounting (wall-mounting, wood, metal, etc.).



Proceed as follows:

- Remove the components from the package.



Attention:

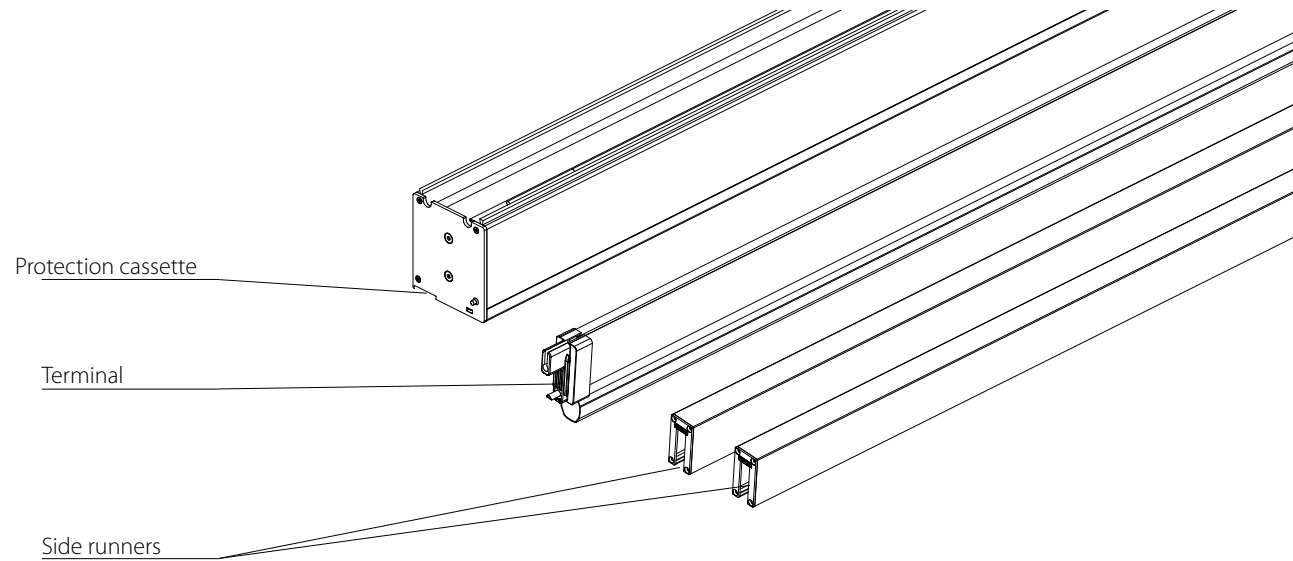
do not use a cutter to avoid damaging the metal element paint.

- Components (protection cassette, runners and terminal) have another label which indicates:
- Order date
- Customer's name
- Reference
- Measurements taken on the opening on which the awning is to be installed
- Protection cassette cutting measurements (service indication)



Check that the data on the protection cassette label are the same as those indicated on the label of runners and terminal.

MATERIAL CHECK, UNPACKING AND PREPARATION



Remove the protection cassette from the package and place it on the ground with its upper part facing upwards (overhead anchorage side), in order not to damage the coating of the visible side. Repeat the same operation for the side runners, which must be laid down on the wall anchorage side.

**Attention:**

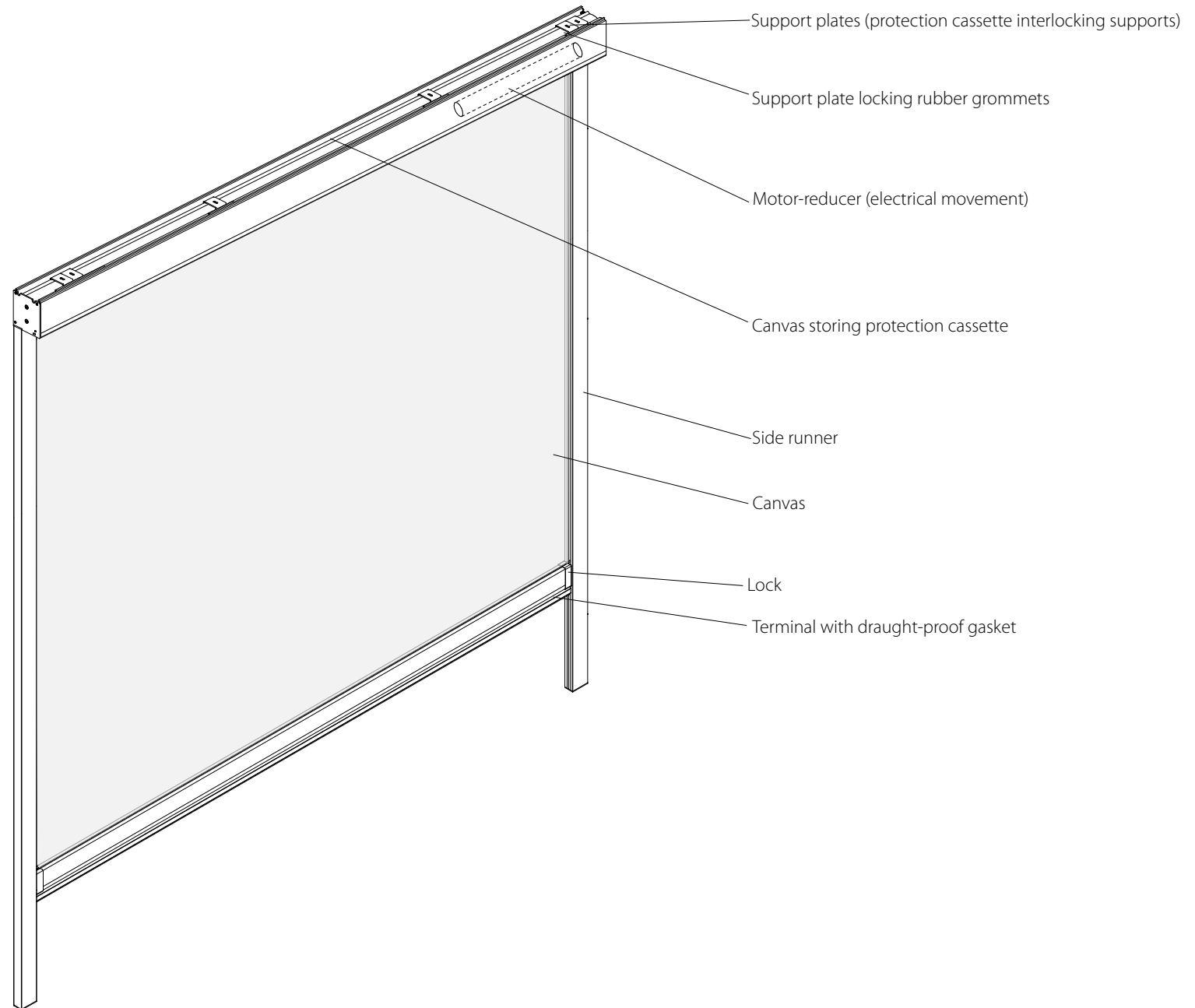
PVC zip runners are contained inside the runners and packed together with them.



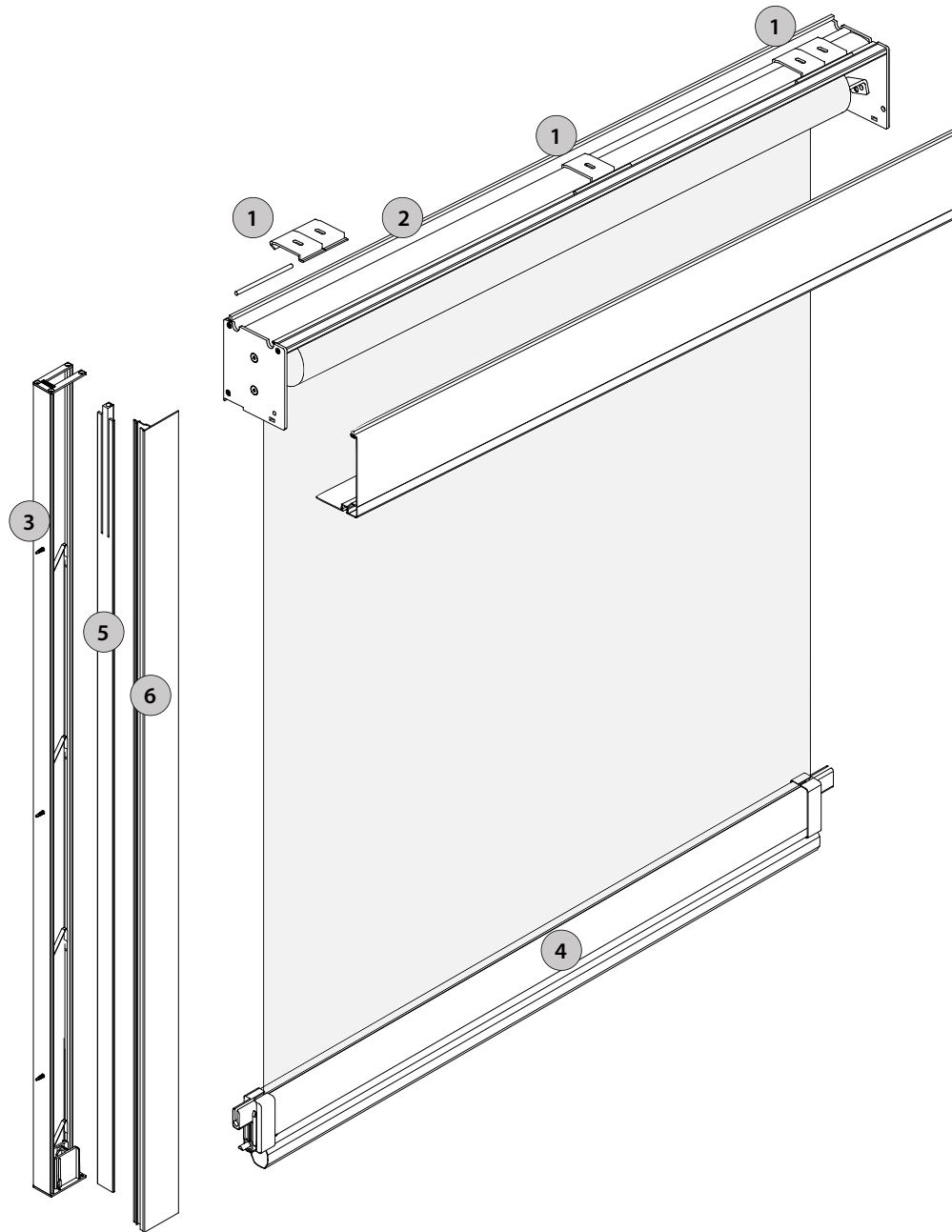
Before installation, make sure that all components are intact and that all accessories are present. If not, contact CORRADI s.r.l. immediately.

Install according to the instructions included in the following paragraphs.

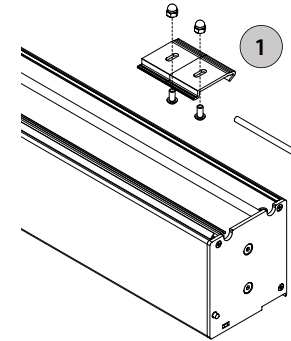
MAIN COMPONENTS AND INSTALLATION SEQUENCE



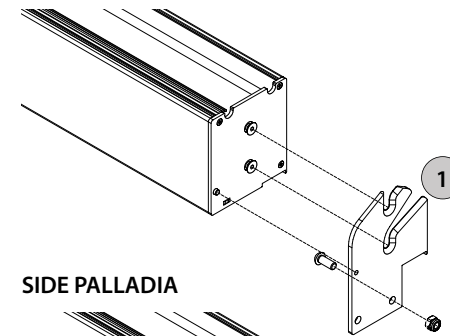
MAIN COMPONENTS AND INSTALLATION SEQUENCE



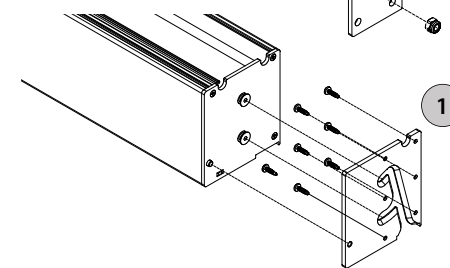
STANDARD / ALBA / KUBO



FRONT PALLADIA



SIDE PALLADIA



General assembly sequence

Assembly order:

- 1 - Fix support plates
- 2 - Fix protection cassette
- 3 - Install runners
- 4 - Insert terminal in the canvas
- 5 - Insert zip runners
- 6 - Close runners

1 DRILLING TEMPLATE

Description of the template

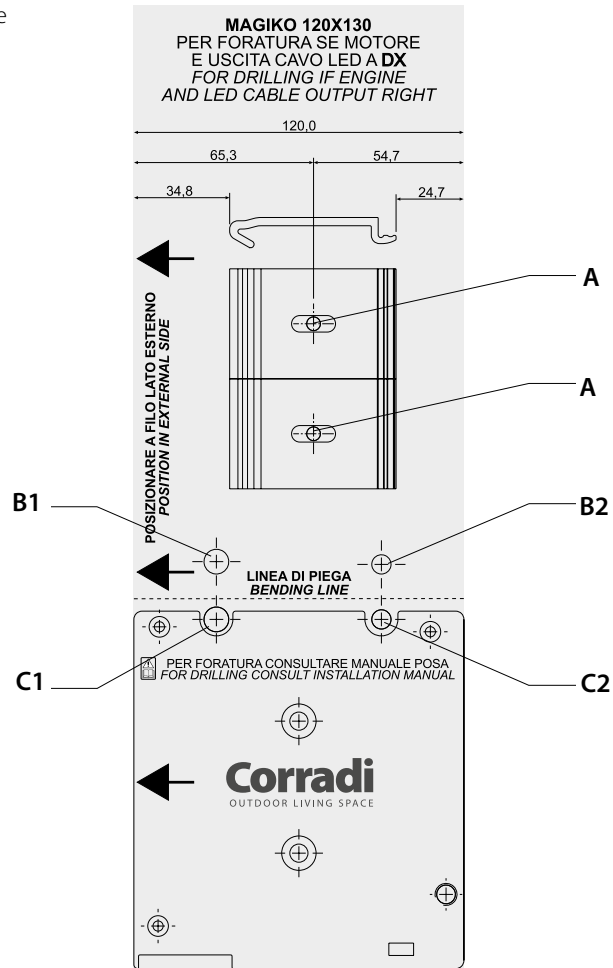


Fig. 1

- A - support plate fixing holes
- B1 - wiring hole for ceiling motor cable (always present)
- B2 - wiring hole for ceiling light cable (*Note: only if BRIO includes LED lights*)
- C1 - wiring hole for wall motor (always present)
- C2 - wiring hole for wall light cable (*Note: only if BRIO includes LED lights*)

Using the template

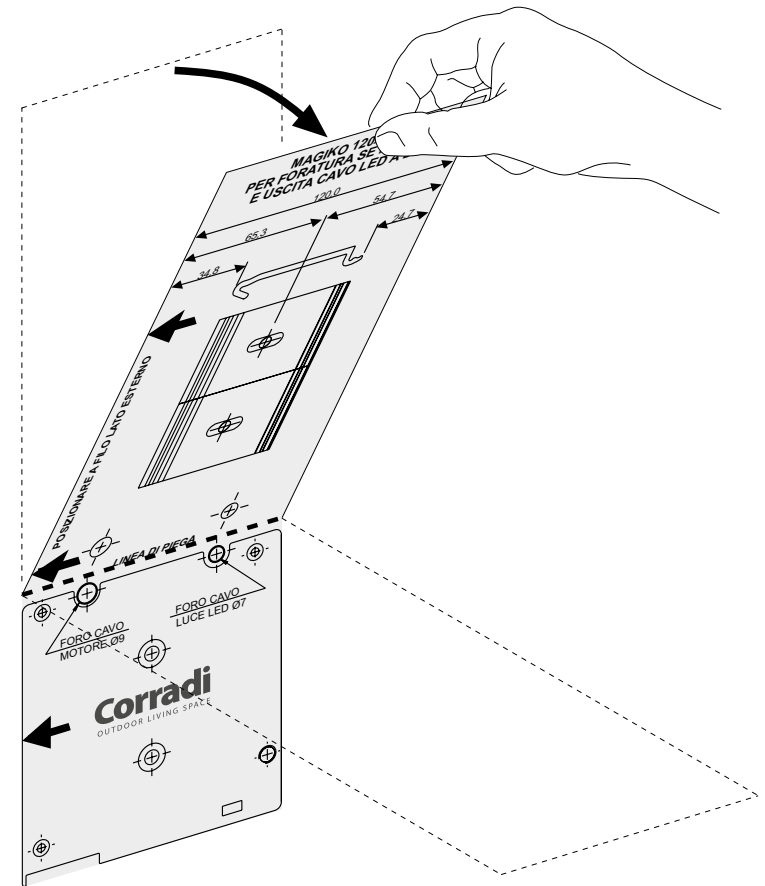


Fig. 2

The template is printed on two sides: one for the right side of BRIO and the other one for its left side. For easy use, the template features a pre-cut fold line. Fold the template on one side and drill the necessary holes, then on the opposite side for the holes on the other side of the structure.

Note: always make sure that the arrows indicate the structure external side.

Positioning cardboard drilling templates

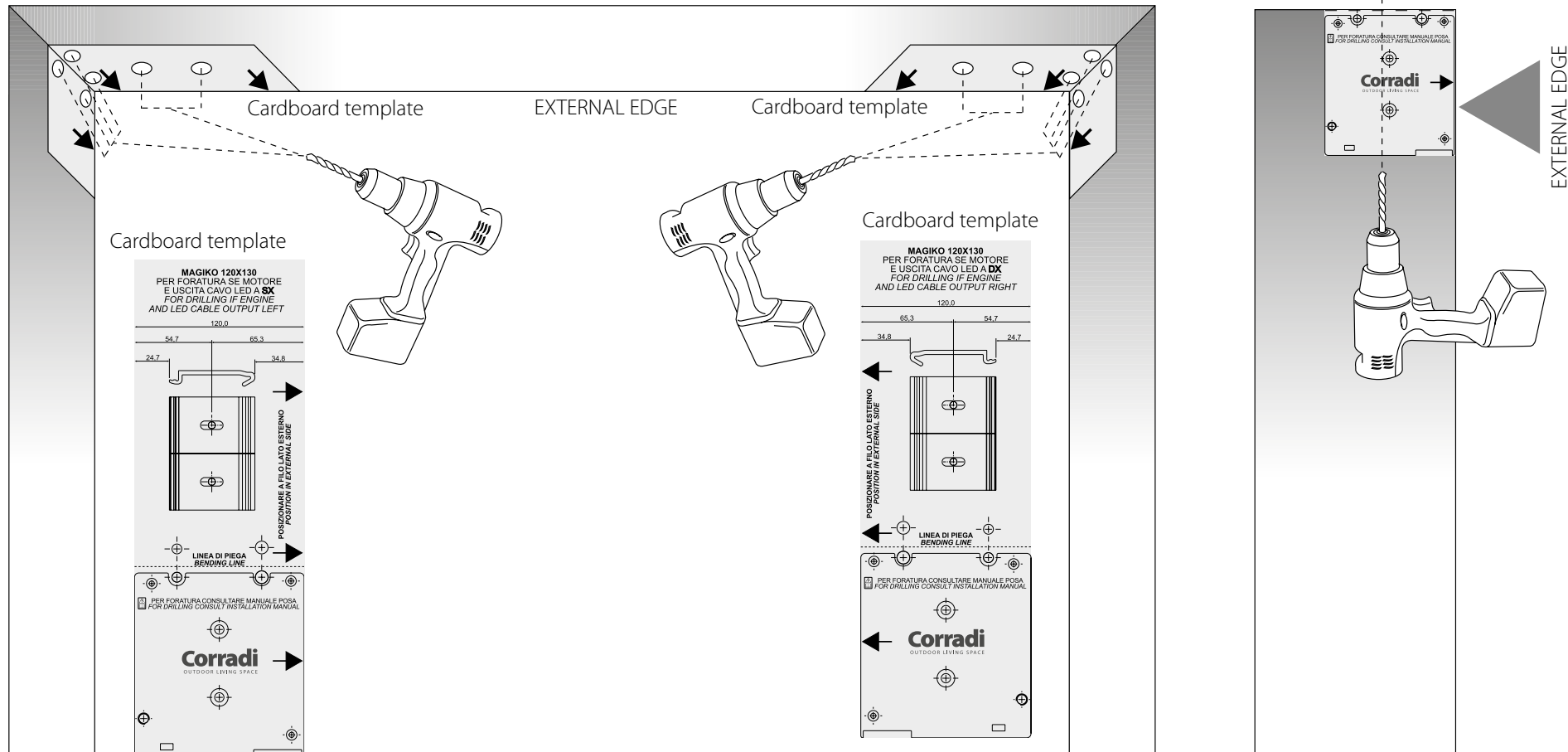


Fig. 3

Place the cardboard templates, perfectly folded, on the external edge of the structure, flush against RH and LH sides.

For BRIO up to 2 metres there are 5 supports.

For BRIO over 2 metres, there are 5 supports + 1 for each additional metre of length.

2 PLATE ALIGNMENT CHECK

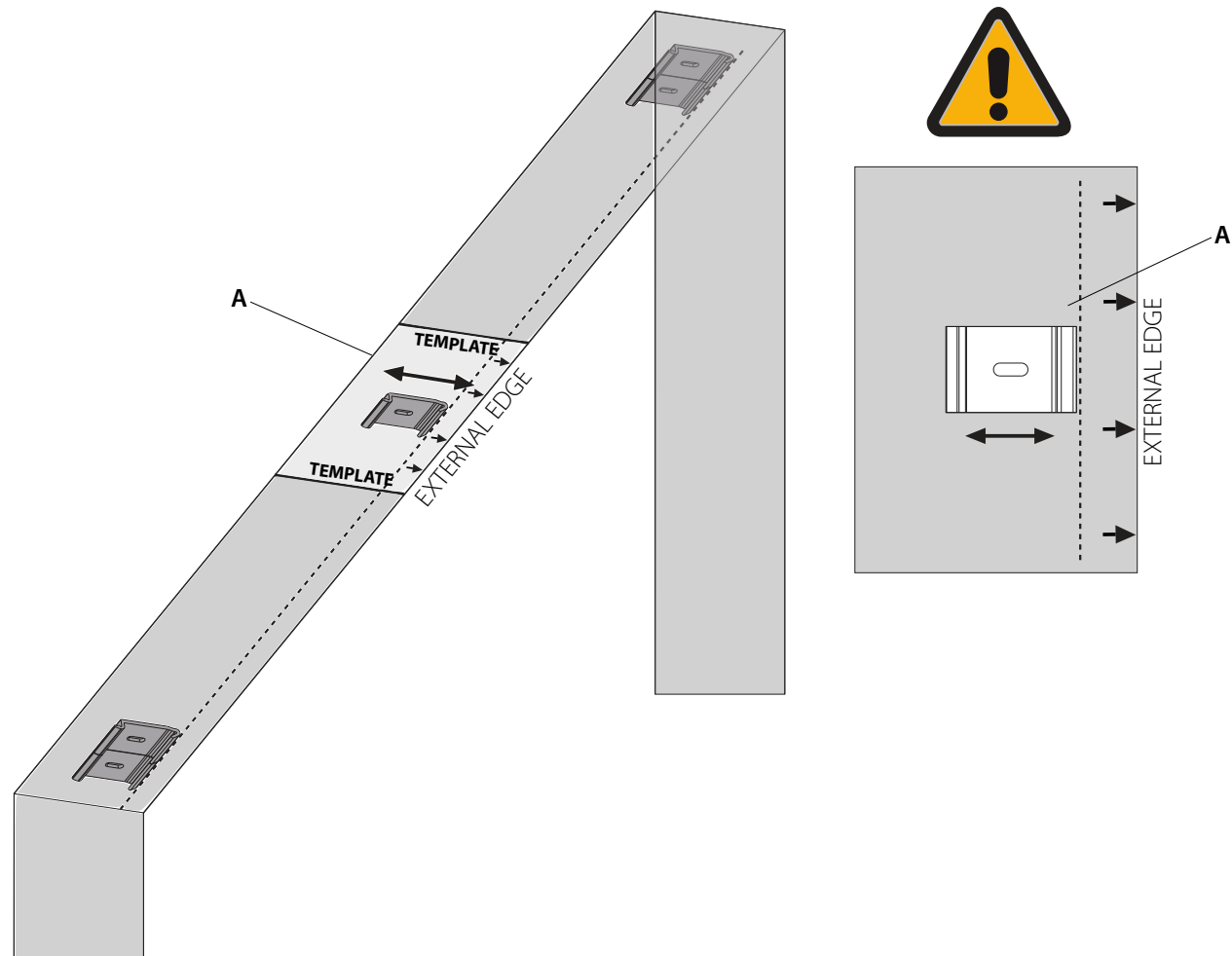


Fig. 4
Before tightening the fixing screws completely, make sure that protection cassette fixing plates (**A**) are perfectly aligned and check the distance from the external edge.

3 OPENING THE PROTECTION CASSETTE

Opening the protection cassette
on a bench

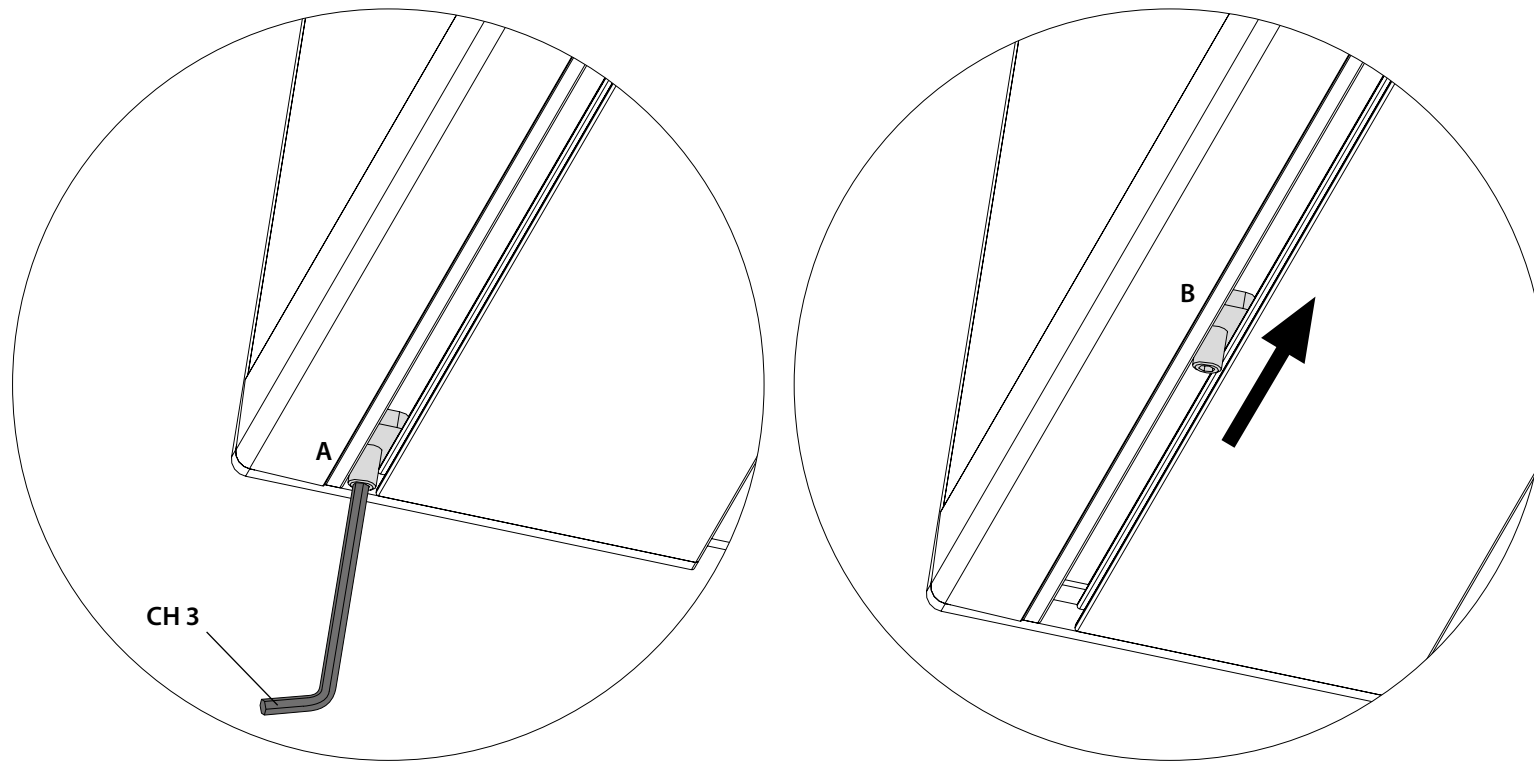
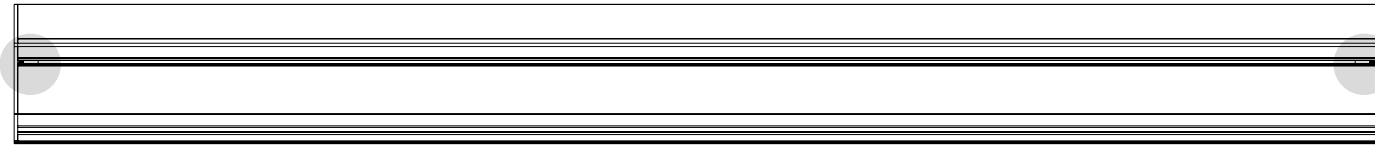


Fig. 5

The protection cassette is packed with the removable protection cassette locked.

For maintenance operations, it is necessary to open the fixed protection cassette and remove the removable protection cassette from it.

Using a hexagon socket wrench, loosen screw **A** and slide locking plate **B**.

This operation must be repeated on both sides of the protection cassette.

3 OPENING THE PROTECTION CASSETTE

Opening the protection cassette on a bench

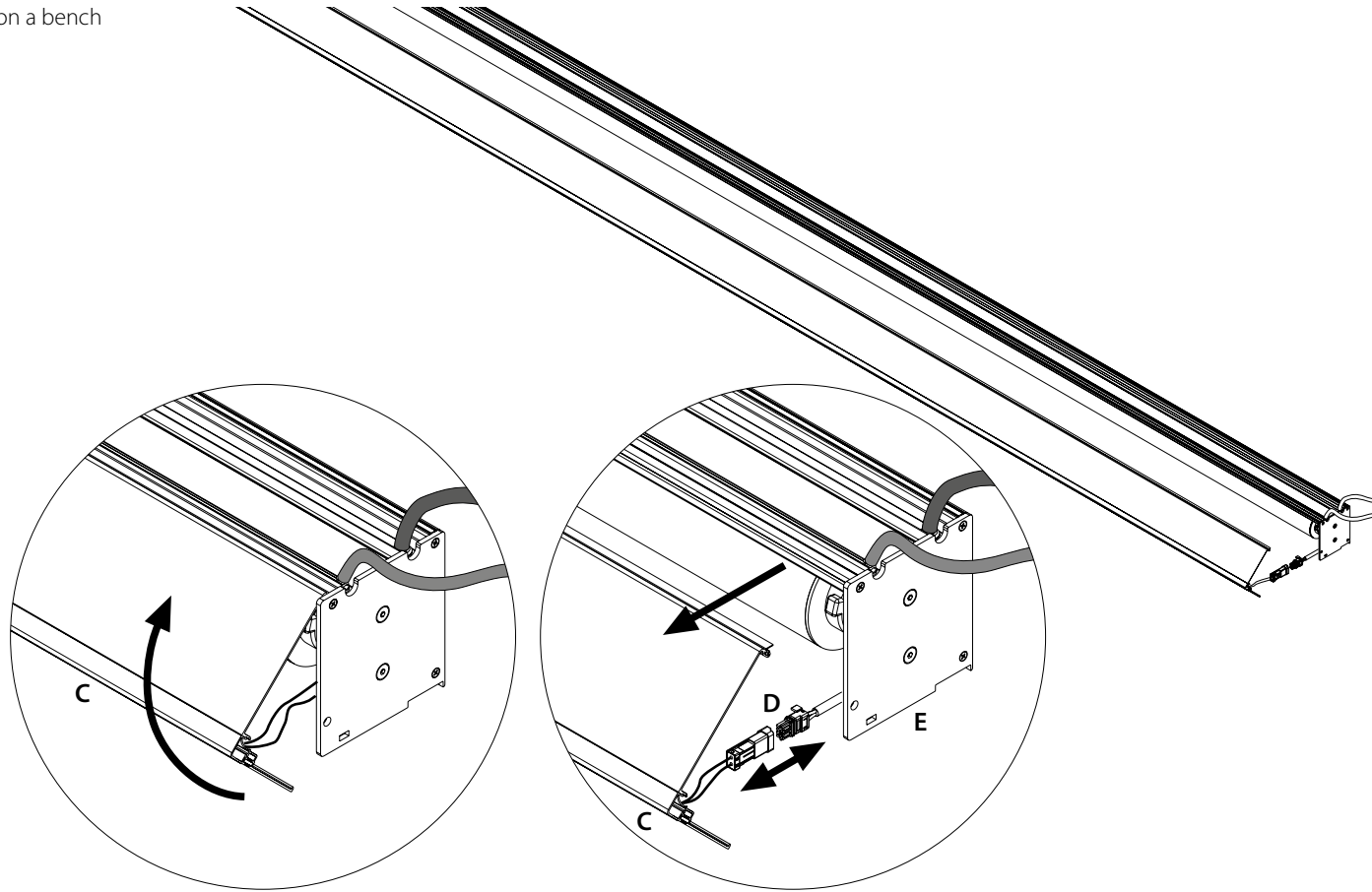


Fig. 6

- Lift, by rotating it, the removable protection cassette **C**.
- Disconnect the connector of LED lights **D** (if any).
- Extract the removable protection cassette **C** from the fixed protection cassette **E**.

4 PROTECTION CASSETTE OVERHEAD ANCHORAGE

Positioning support plates

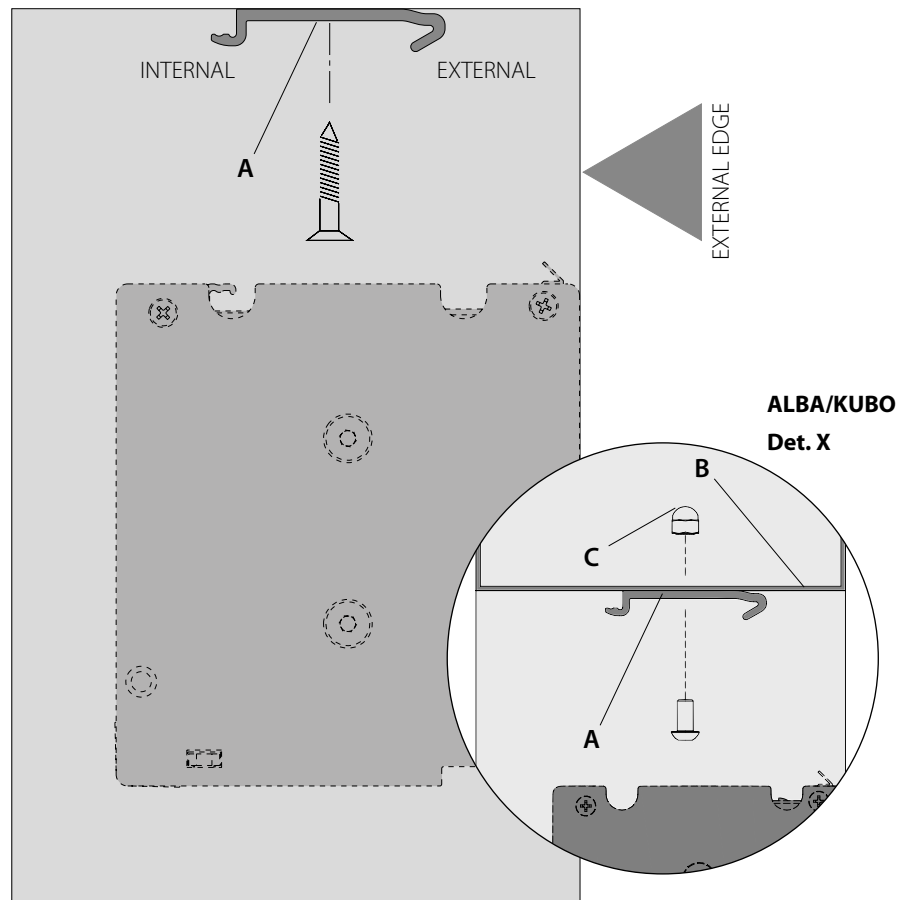


Fig. 7

- Drill using a bit suitable for the type of anchorage to be used.
- Fix support plates (A) to the ceiling, orienting them as indicated in the figure.
- Fasten support plates (A) on gutter (B) of Alba/Kubo aiming them as indicated in the figure, using the relevant cap nut with integrated gasket (C) **Det. X**.

Routing cables

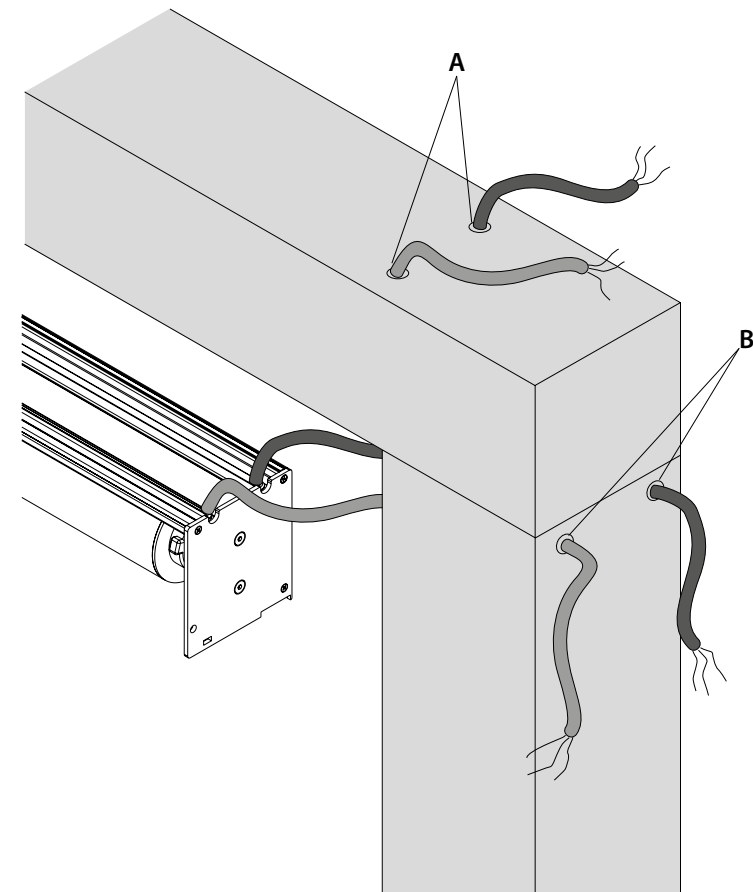


Fig. 8

Route the cables through the holes made using the template, in the chosen position:

A ceiling

B wall /Alba-Kubo (on the pillar side)



Note: ALBA/KUBO never drill the gutter - drill the pillar.

4 PROTECTION CASSETTE OVERHEAD ANCHORAGE

Engaging the protection cassette

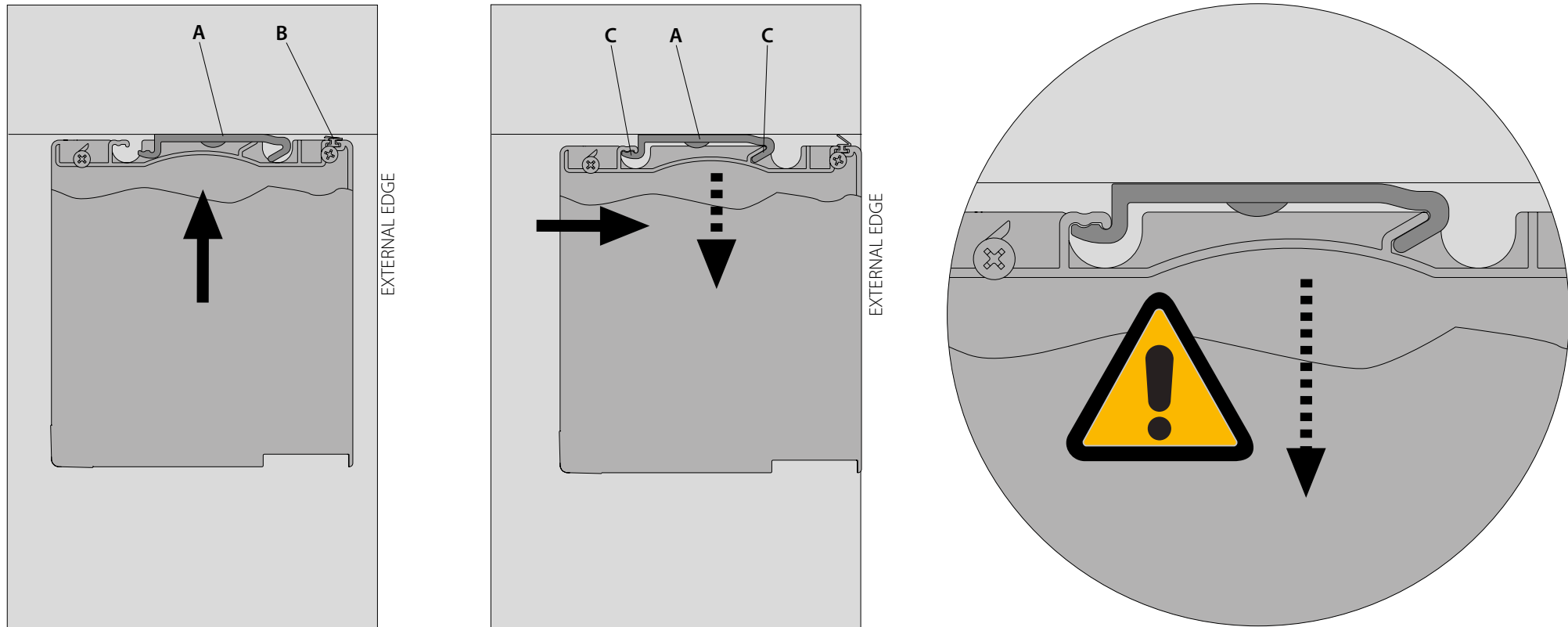


Fig. 9

- Place the protection cassette to the ceiling/Alba gutter, pushing the gasket (**B**).
- Slide the protection cassette outwards until it is completely engaged on the support plate (**A**).
- Release it laying on the support plate edges (**C**).



ATTENTION

BEFORE LOOSENING YOUR GRIP ON THE PROTECTION CASSETTE, MAKE SURE THAT IT IS CORRECTLY ENGAGED IN ORDER TO PREVENT ITS ACCIDENTAL FALL.

4 PROTECTION CASSETTE OVERHEAD ANCHORAGE

Locking the protection cassette

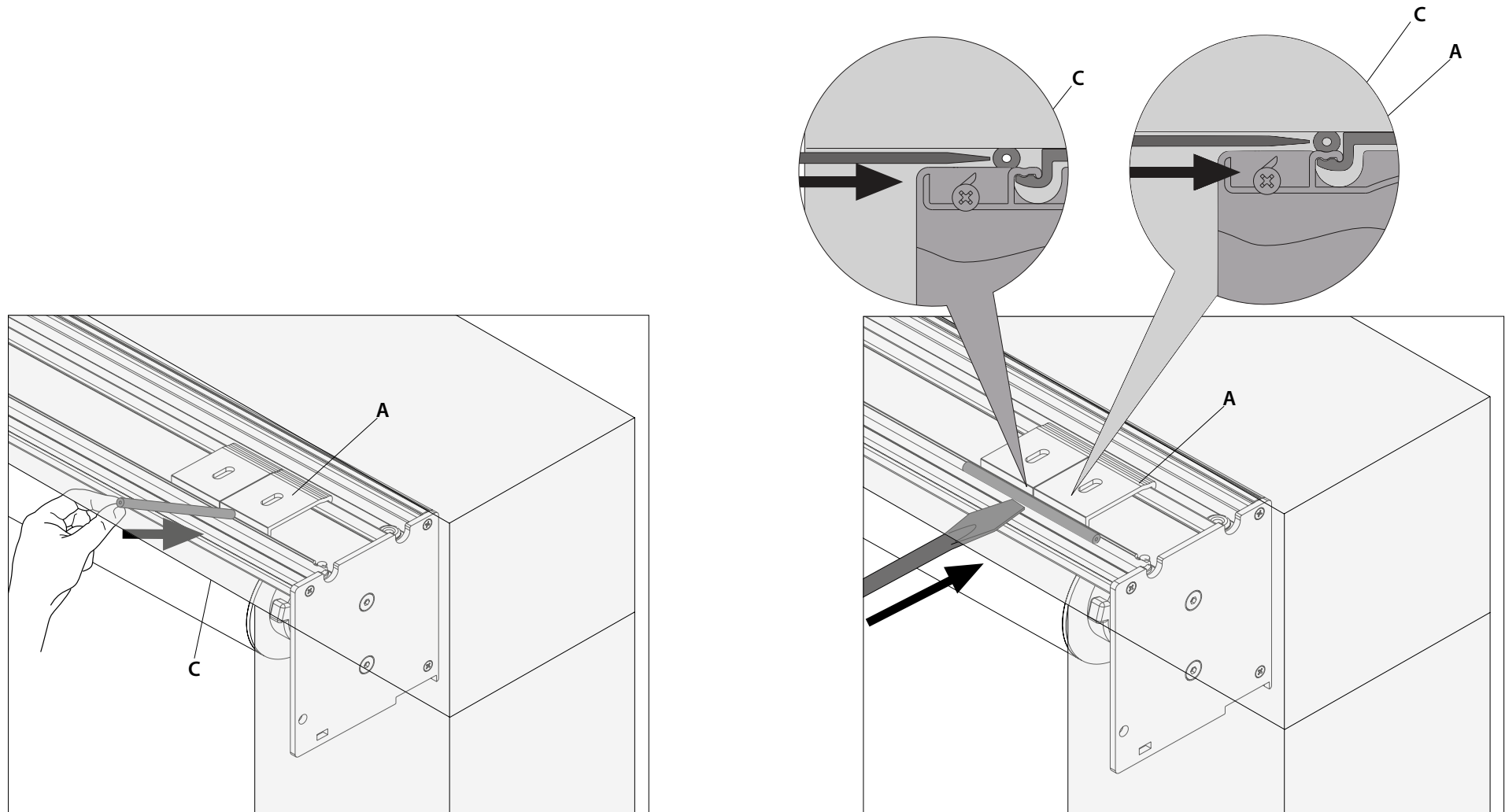


Fig. 10

- Insert locking rubber grommets (C)
- Using a screwdriver, push the rubber grommets fully home against the support plate (A).
- Repeat this operation on all BRIO ceiling mounted supports, making sure that the system is perfectly stable!

4 PROTECTION CASSETTE OVERHEAD ANCHORAGE

Protection cassette final locking

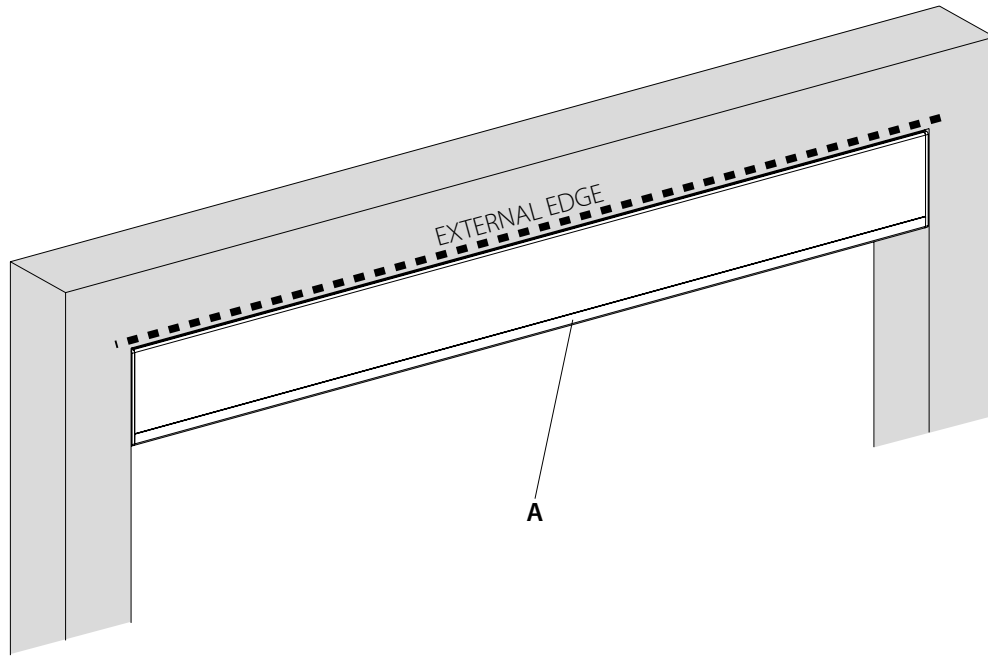


Fig. 11



Make sure that the protection cassette (A) is perfectly aligned with the EXTERNAL EDGE before the final anchorage.

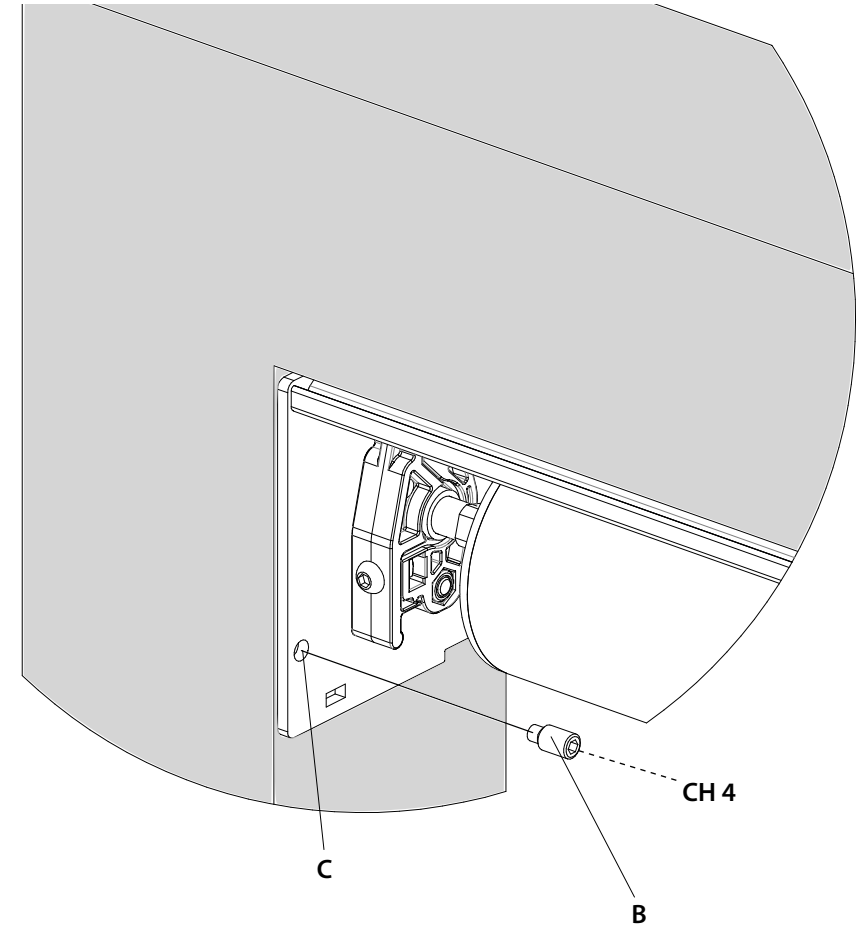
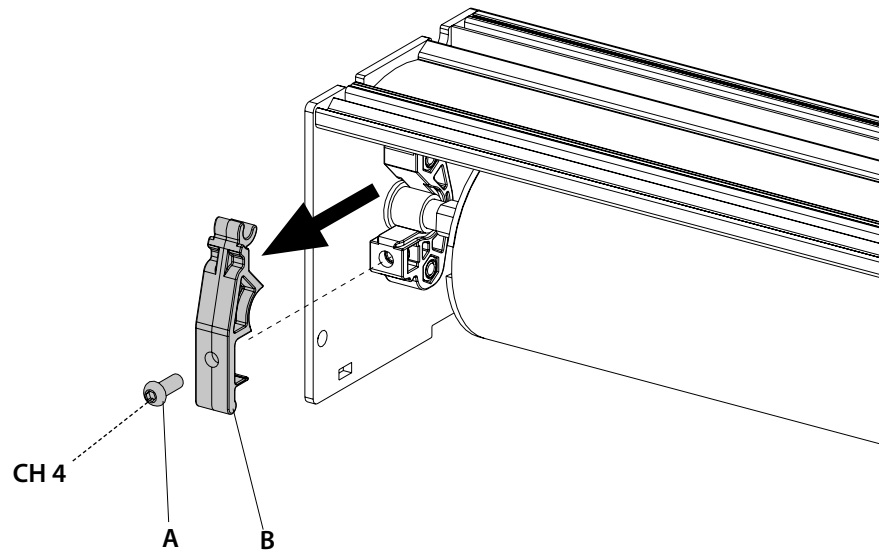


Fig. 12

After the necessary checks, lock the protection cassette to the structure definitively with a suitable dowel (B), using the hole on right and left plates (C) of the protection cassette.

5 PROTECTION CASSETTE WALL ANCHORAGE

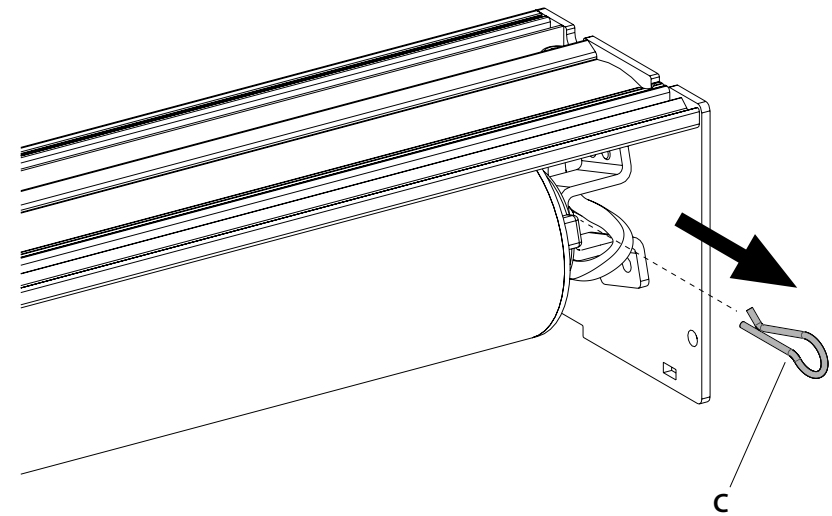
Disassembling the canvas roller



ATTENTION: PERFORM THESE OPERATIONS ON A BENCH.

Fig. 13

Loosen screw (A) and remove the locking support (B).



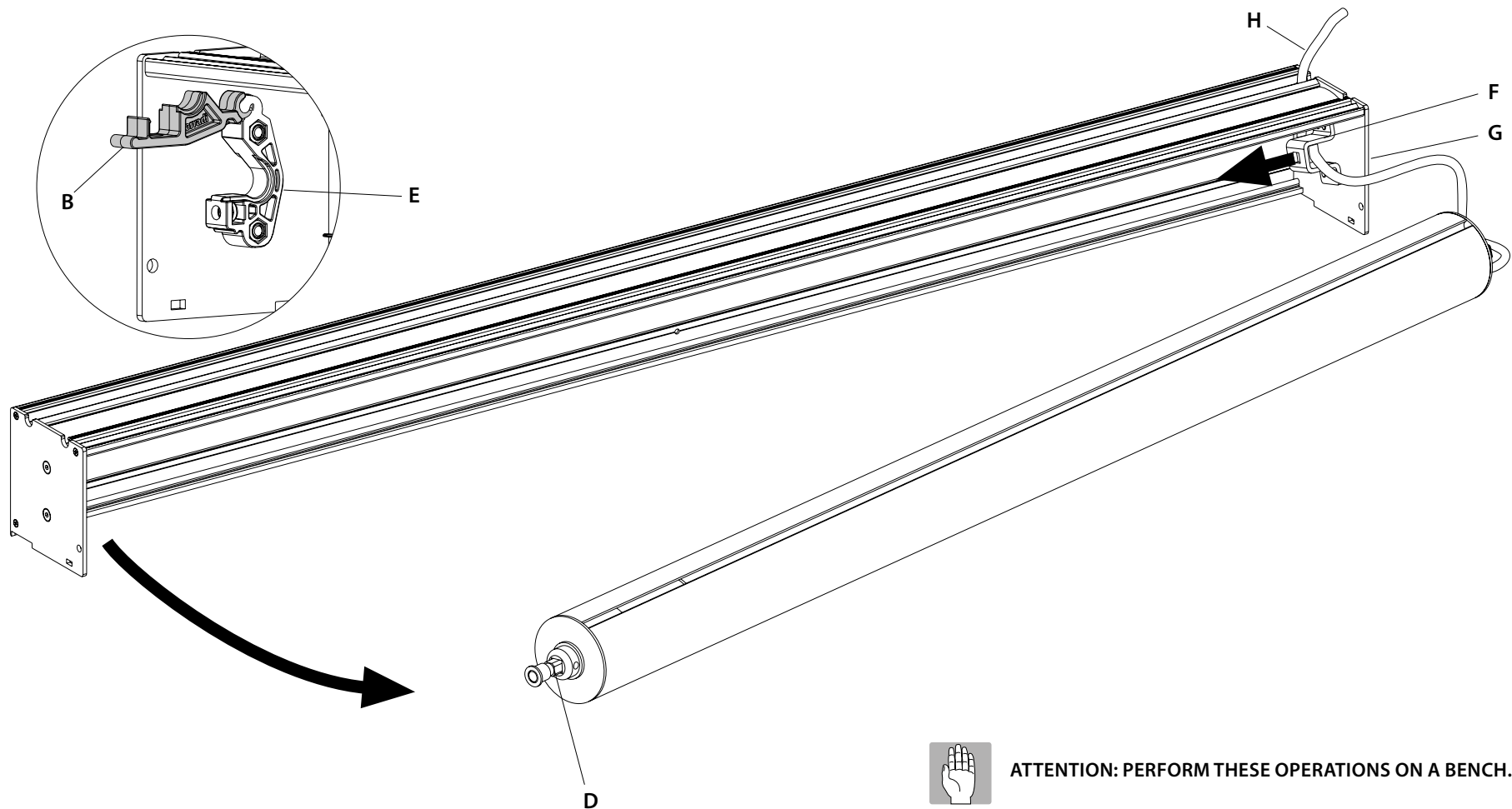
ATTENTION: PERFORM THESE OPERATIONS ON A BENCH.

Fig. 14

On the opposite side of the protection cassette (motor side) there is a cotter pin (C) that must be removed.

5 PROTECTION CASSETTE WALL ANCHORAGE

Disassembling the canvas roller



ATTENTION: PERFORM THESE OPERATIONS ON A BENCH.

Fig. 15

- With a slight rotation, extract the left side of the roller (**D**) from its support (**E**)
- Remove the square pin (motor side) from the bracket (**F**) on the plate (**G**)
- Simultaneously remove the motor cable (**H**) from the fairlead on the protection cassette

For your convenience and to avoid losing it, the roller shaft locking support (**B**) can be attached to the bracket (**E**) as shown in the figure.

5 PROTECTION CASSETTE WALL ANCHORAGE

Positioning the wall mounted protection cassette

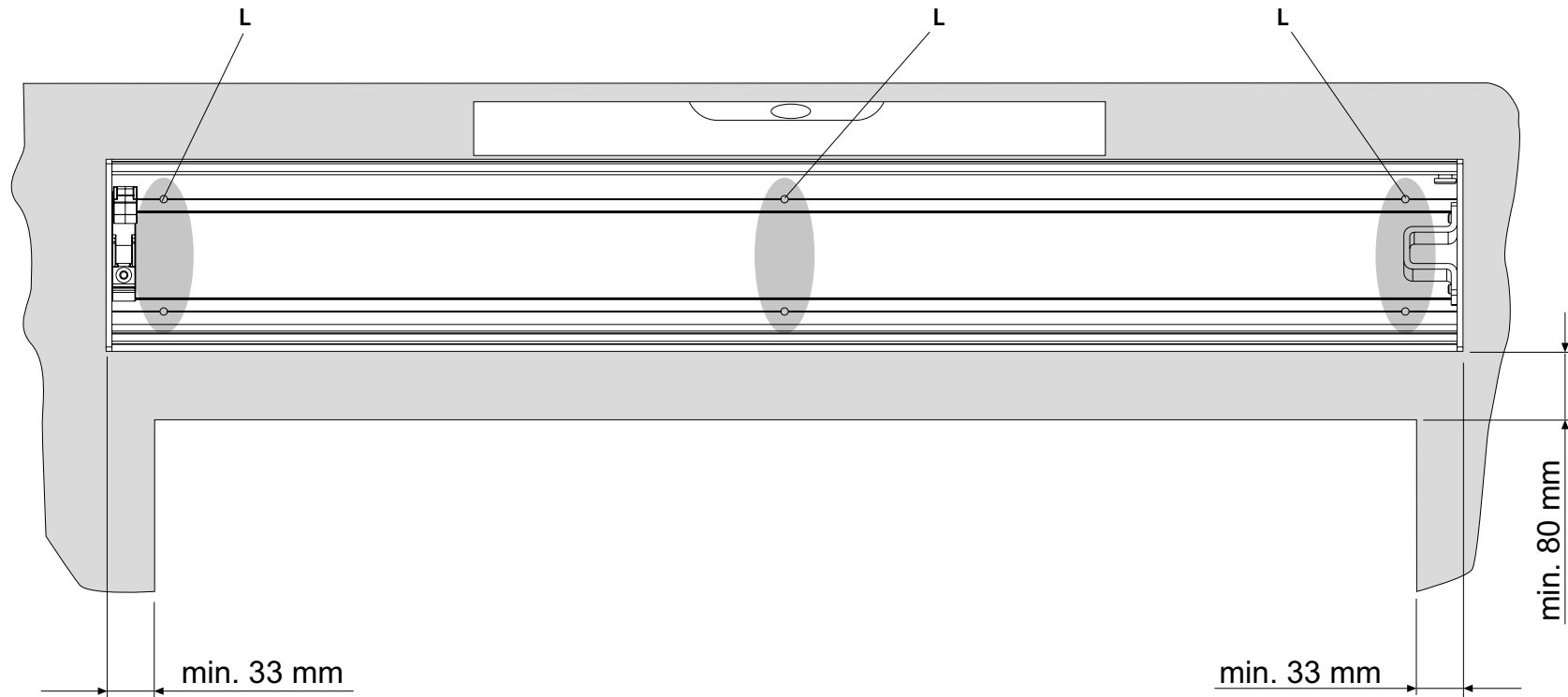


Fig. 16

- Lay the protection cassette on the wall; check its level with a spirit level and drill the holes on the wall of the protection cassette (L).
- Using all the holes on the protection cassette, fix it with screws suitable for the structure.

5 PROTECTION CASSETTE WALL ANCHORAGE

Assembling the canvas roller

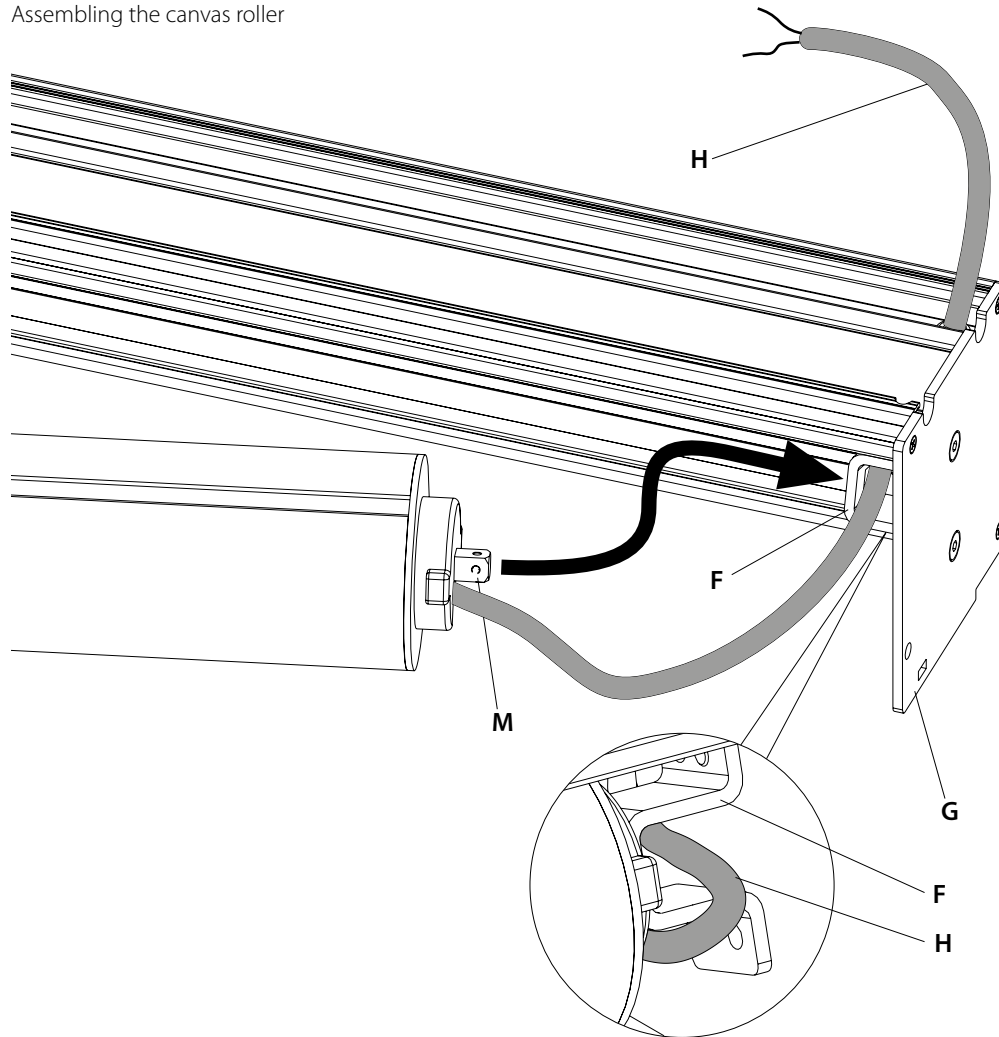


Fig. 21

- Route the motor cable (**H**) inside the bracket (**F**).
- Insert the motor supply cable (**H**) into the hole of the protection cassette.
- Insert the square pin (motor side) (**M**) through the bracket (**F**) on the plate (**G**).

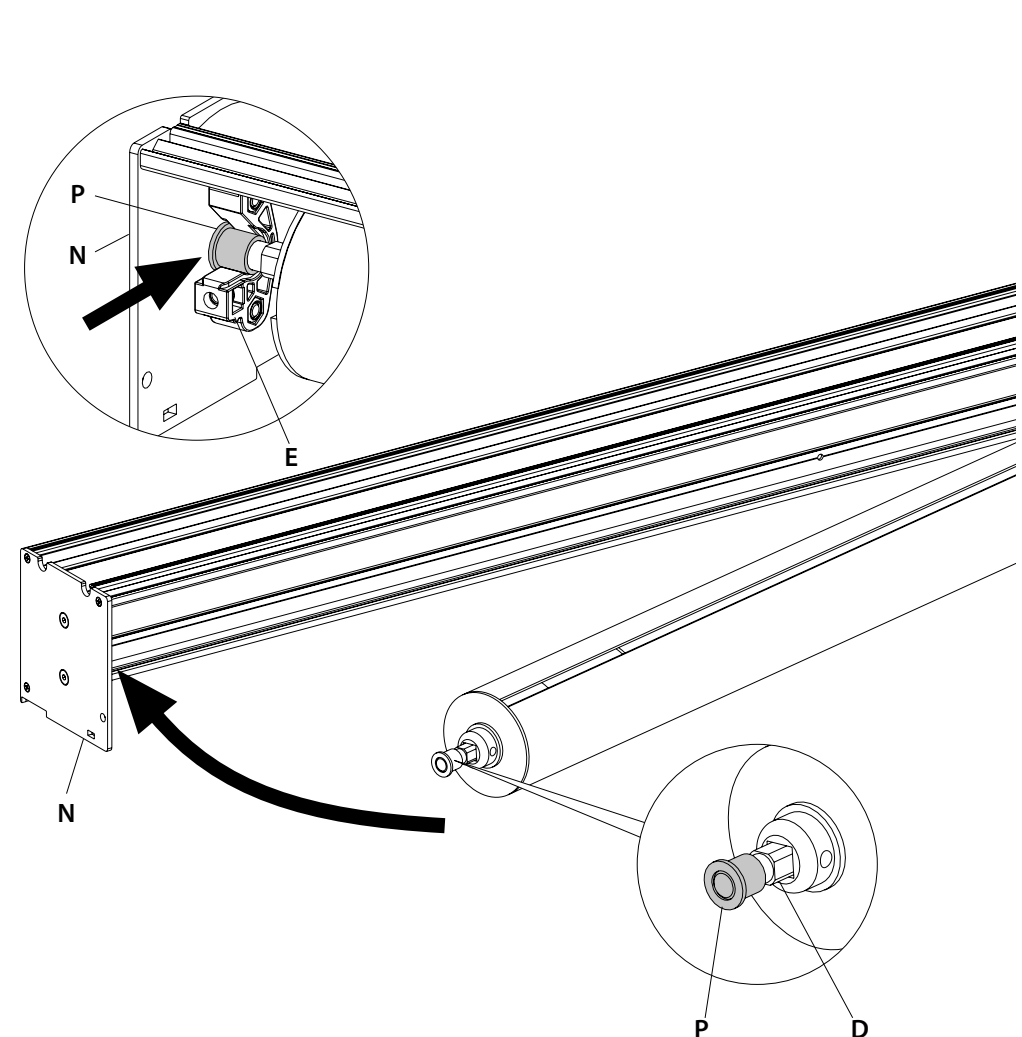


Fig. 22

With a rotation, bring the shaft pin (**D**) on the support (**E**) of the plate (**N**).



Make sure that the bush (P) collar faces towards the plate (N).

5 PROTECTION CASSETTE WALL ANCHORAGE

Assembling the canvas roller

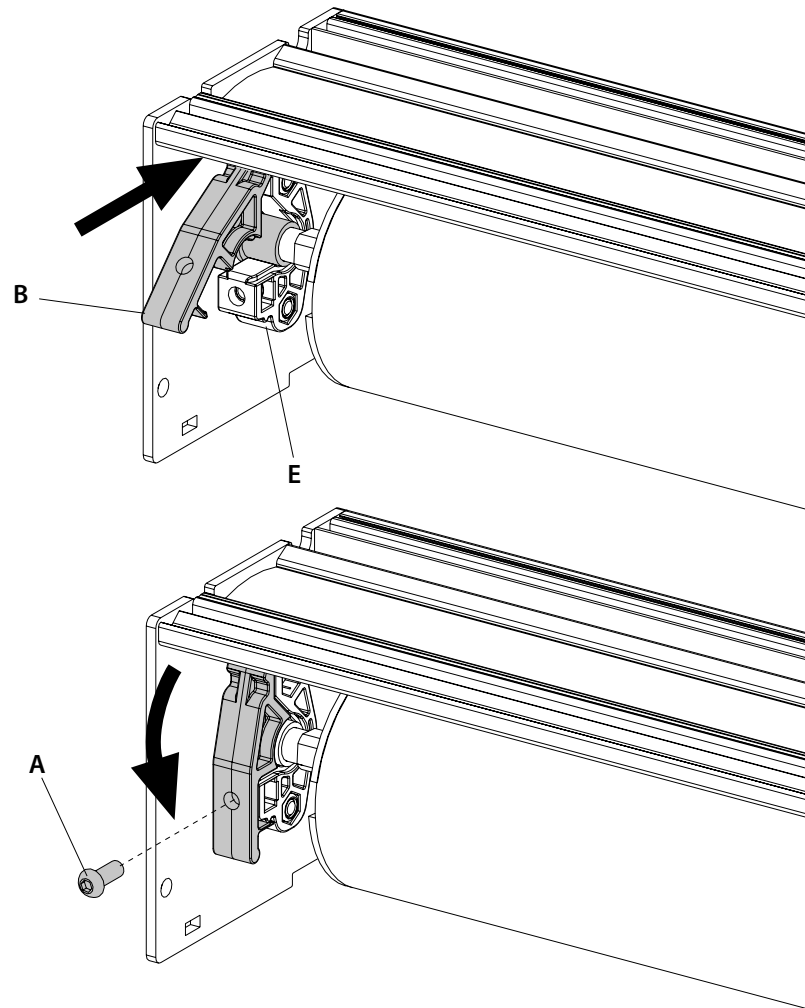


Fig. 23
Insert the shaft locking support (B) on the support (E), rotate it until it is fully home and lock it by tightening the screw (A) completely.

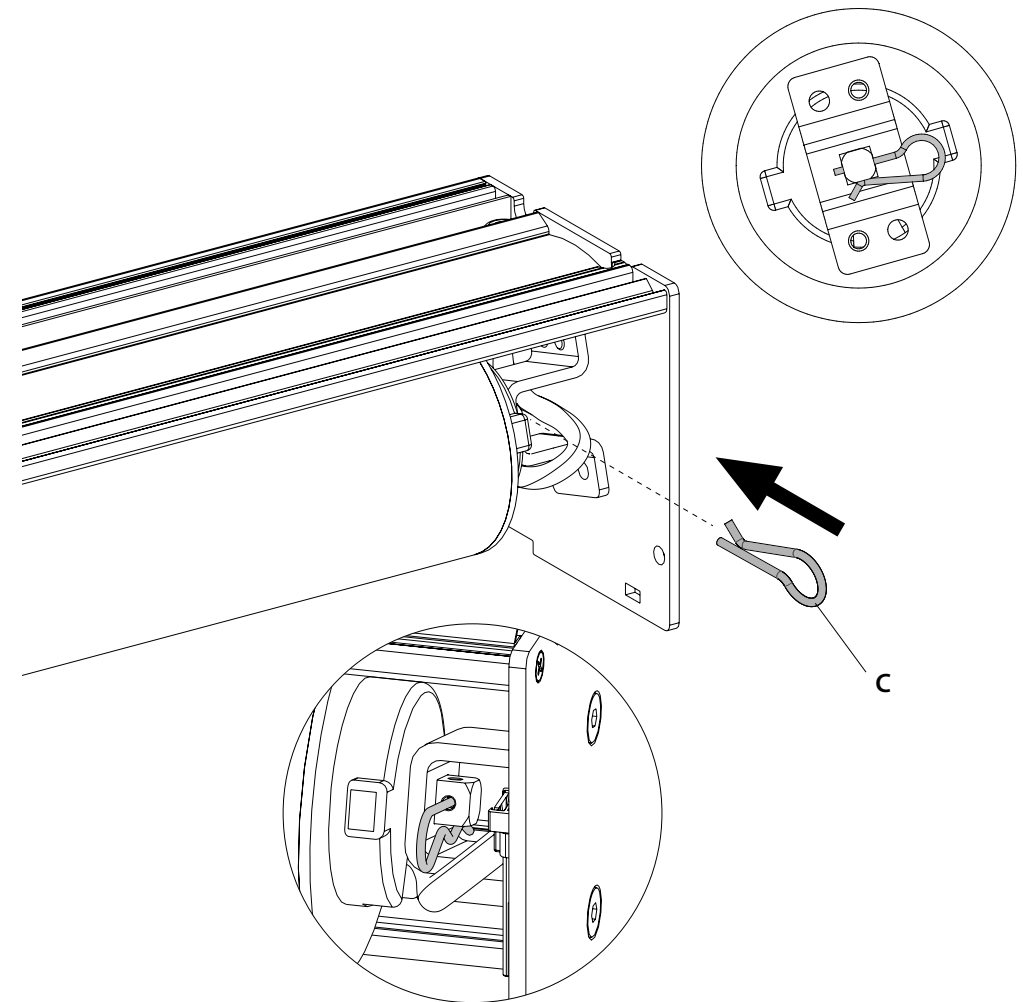


Fig. 24
Insert the cotter pin (C) into the hole on the motor shaft (M).

6 PROTECTION CASSETTE ANCHORAGE ON PALLADIA

Positioning the protection cassette on Palladia

Palladia
Side Connection Plate

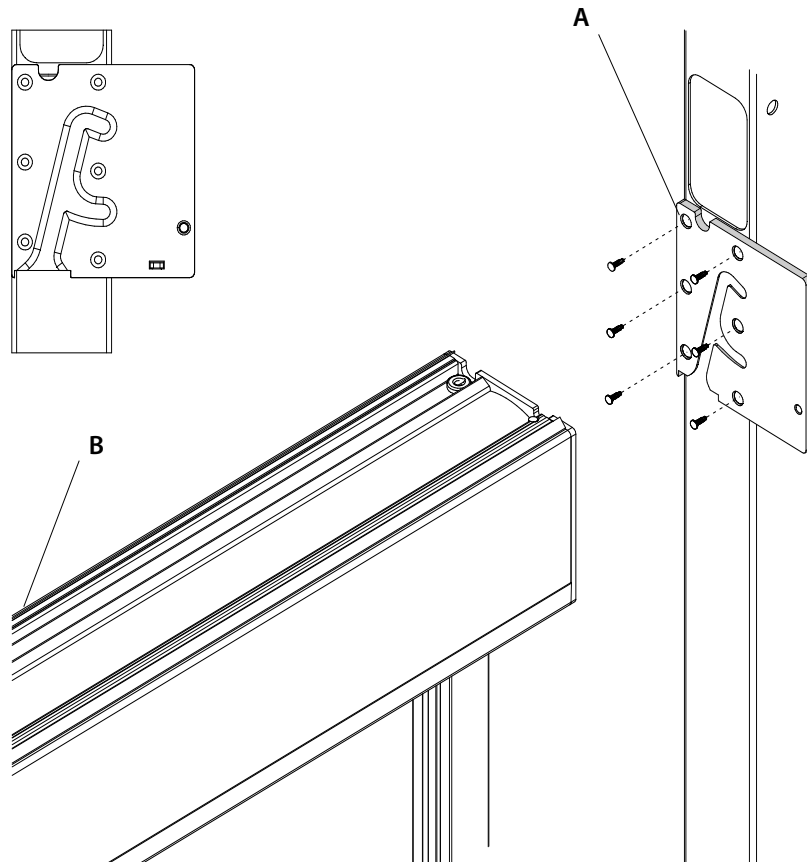


Fig. 17

- Using all holes on the plate (A), secure it with self-drilling screws and hook the protection cassette (B) on both sides.

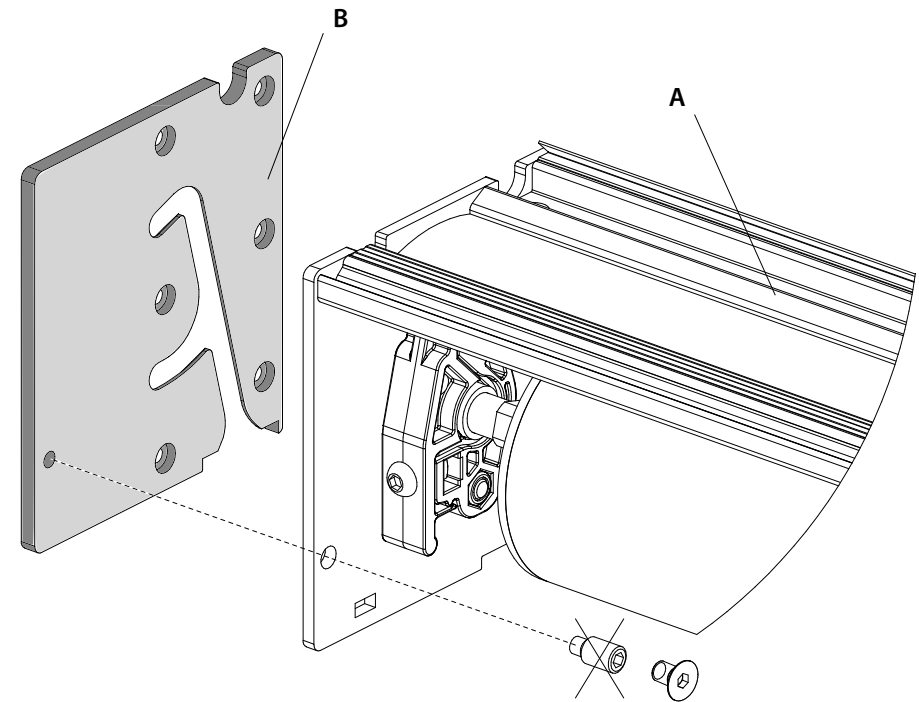


Fig. 18

- Fasten the protection cassette (B) to the plate. Replace the fastening dowel with screw.

6 PROTECTION CASSETTE ANCHORAGE ON PALLADIA

Positioning the protection cassette on Palladia

Palladia
Front Connection Plate

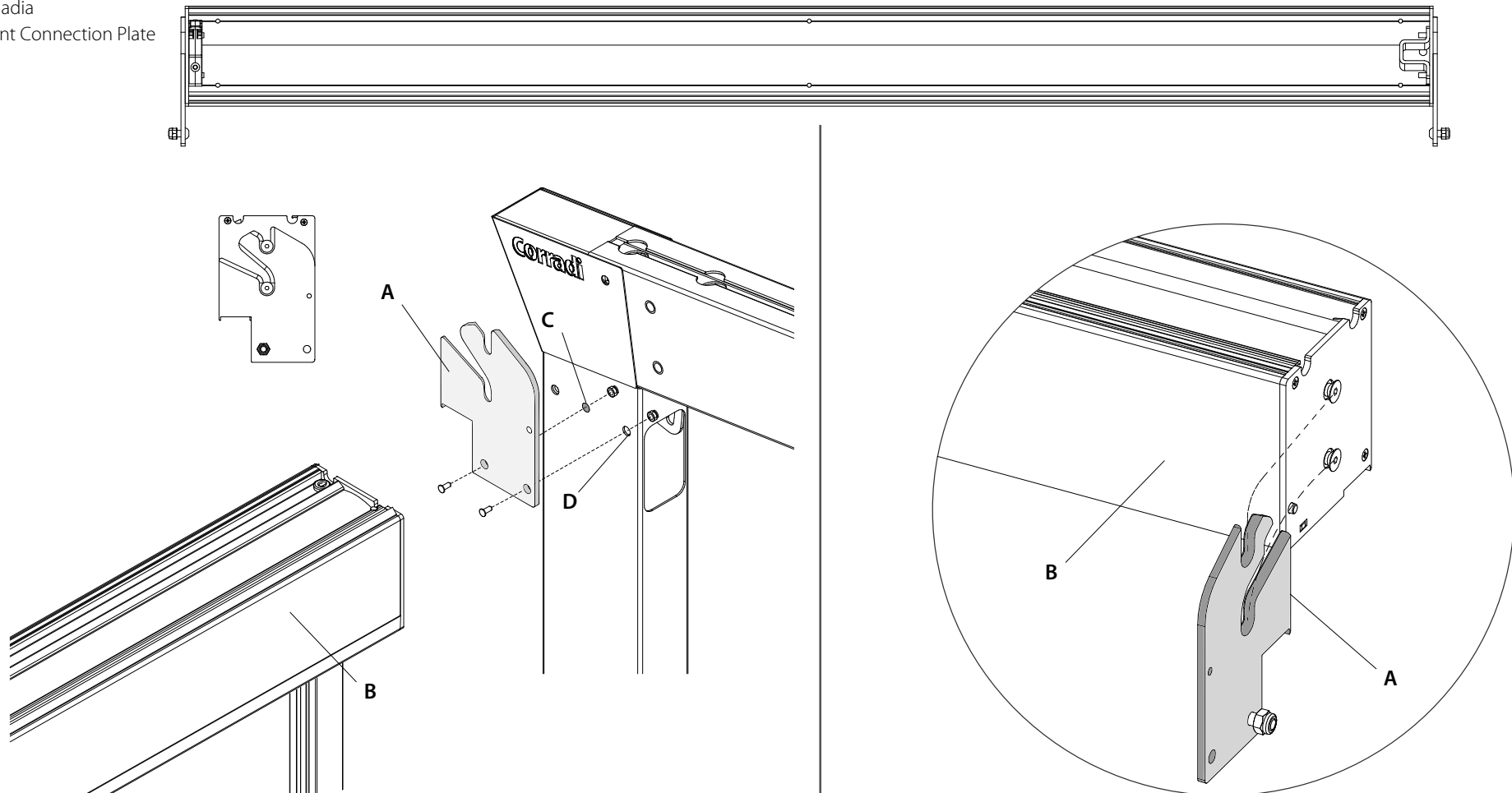


Fig. 19

- Pre-drill the pillar in point (C), as indicated in the figure.
- Fasten plate (A) in points (C) and (D) with suitable screws.

Fig. 20

- Hook the protection cassette (B) to the plates (A).
- Lock the protection cassette with a screw see fig.18.

6 PROTECTION CASSETTE ANCHORAGE ON PALLADIA

Routing cables

Palladia
Front

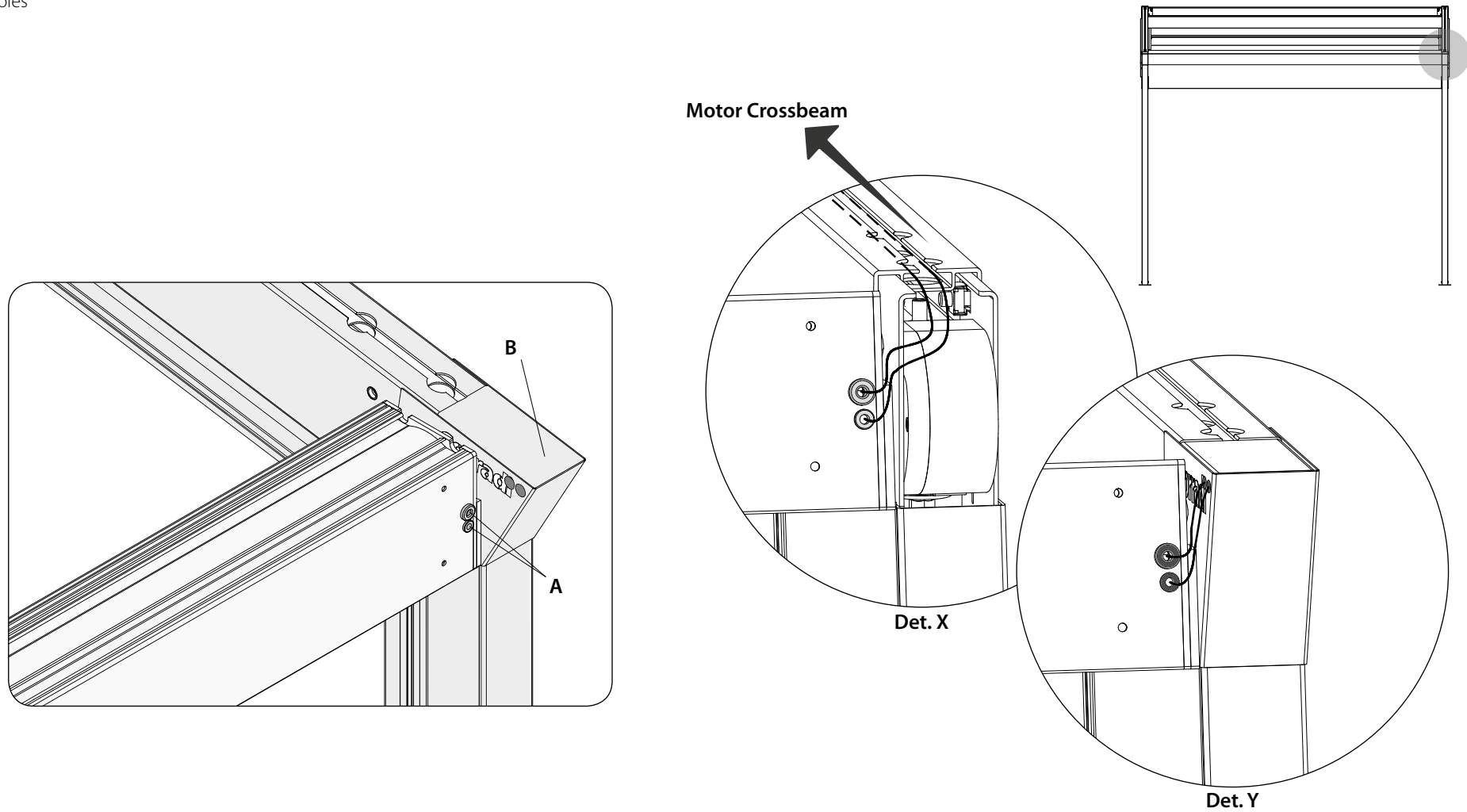


Fig. 25

Drill runner covering casing (**B**) in the indicated points (**A**).
Route the cables as indicated in the drawing **Det. X-Det. Y**.

6 PROTECTION CASSETTE ANCHORAGE ON PALLADIA

Routing cables

Palladia
Side

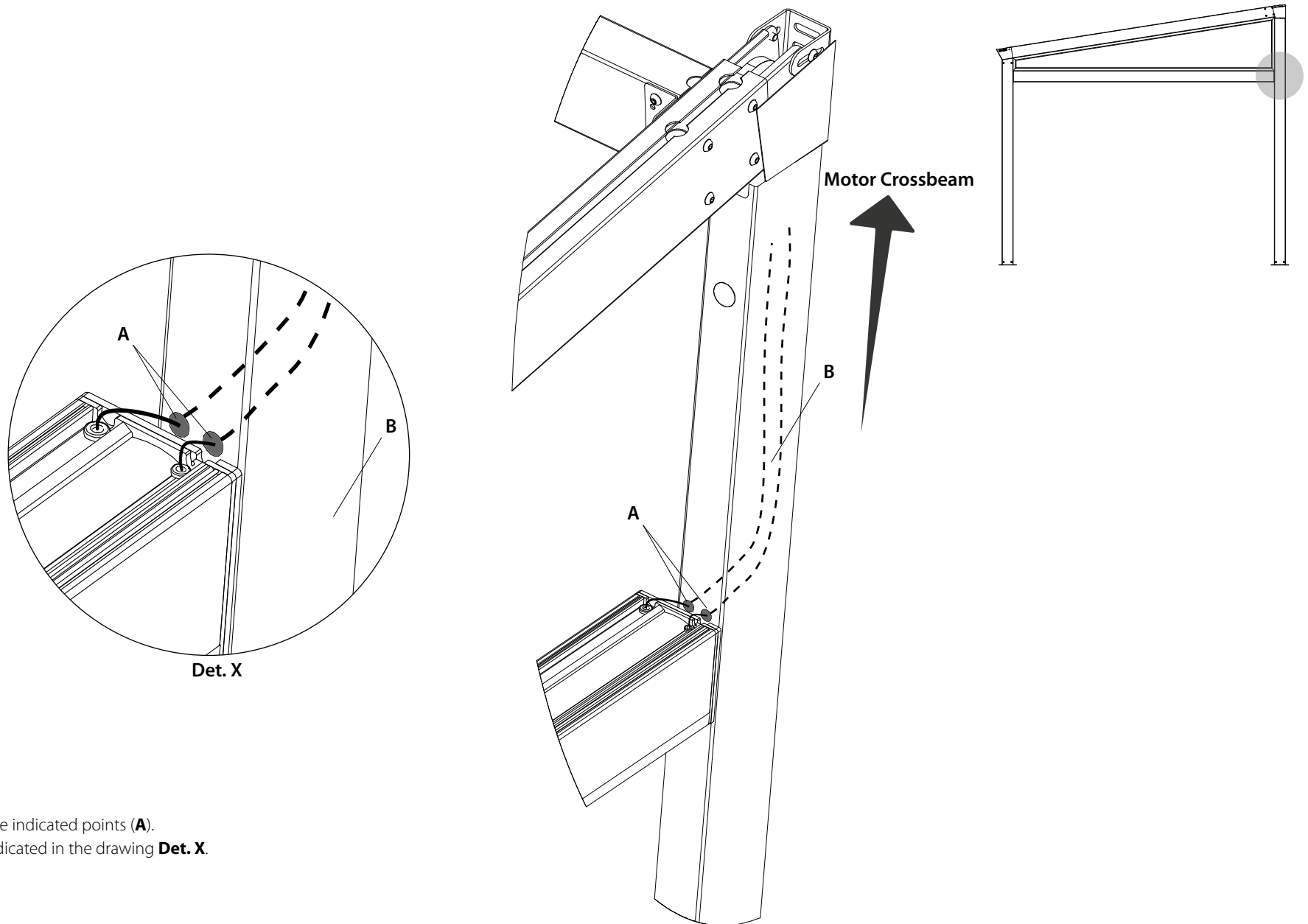


Fig. 26

Drill wall pillar (B) in the indicated points (A).
Route the cables as indicated in the drawing **Det. X**.

7 VERTICAL RUNNERS

Disassembling vertical runner components

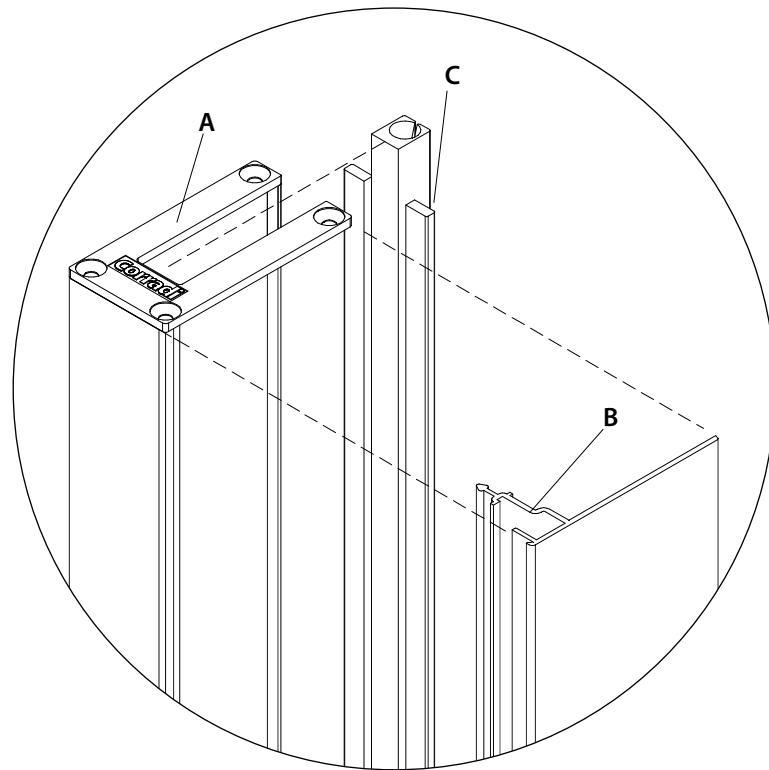


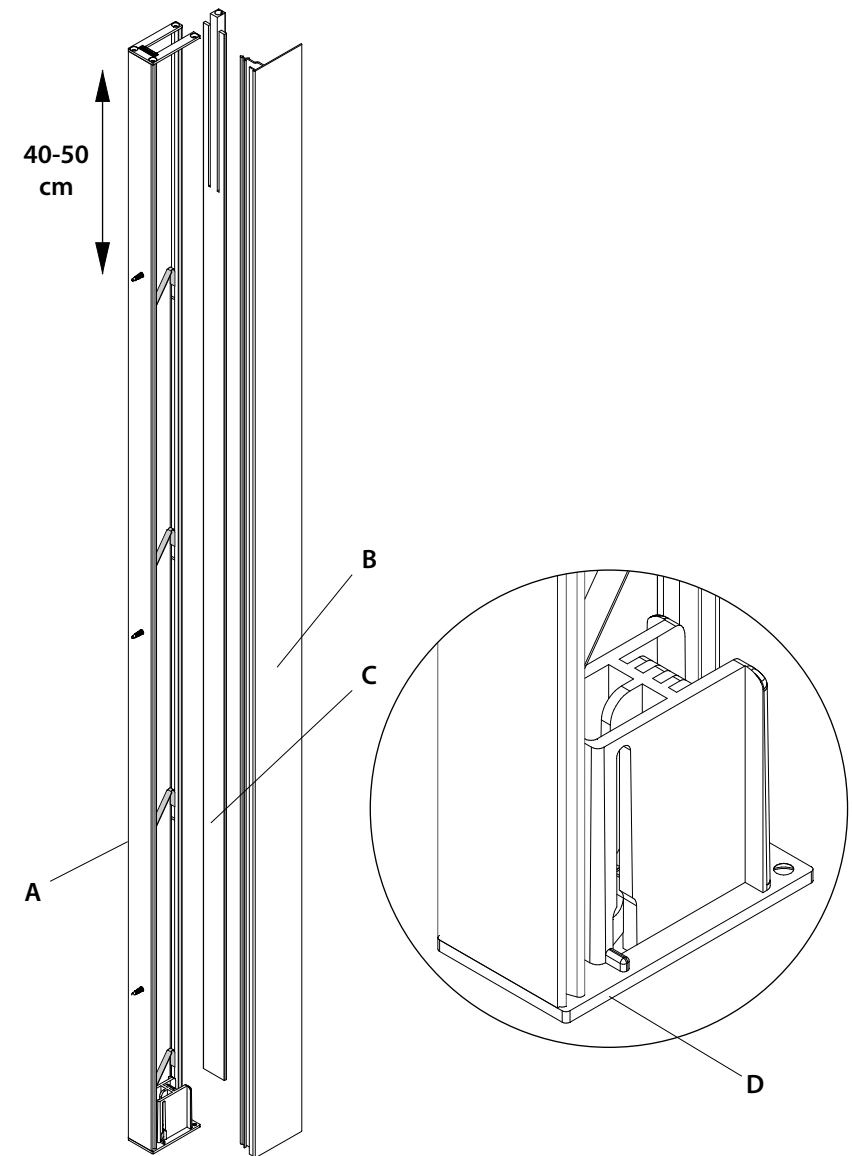
Fig. 27

Remove the two side runners from the package and open them to disassemble their components.

- A** fixed runner
- B** retractable runner
- C** zip runner



Pay special attention to the lower foot (D), which, during installation, must always be positioned on the floor.



8 FIXING FIXED RUNNERS WITH CEILING MOUNTED PROTECTION CASSETTE

Positioning fixed runners

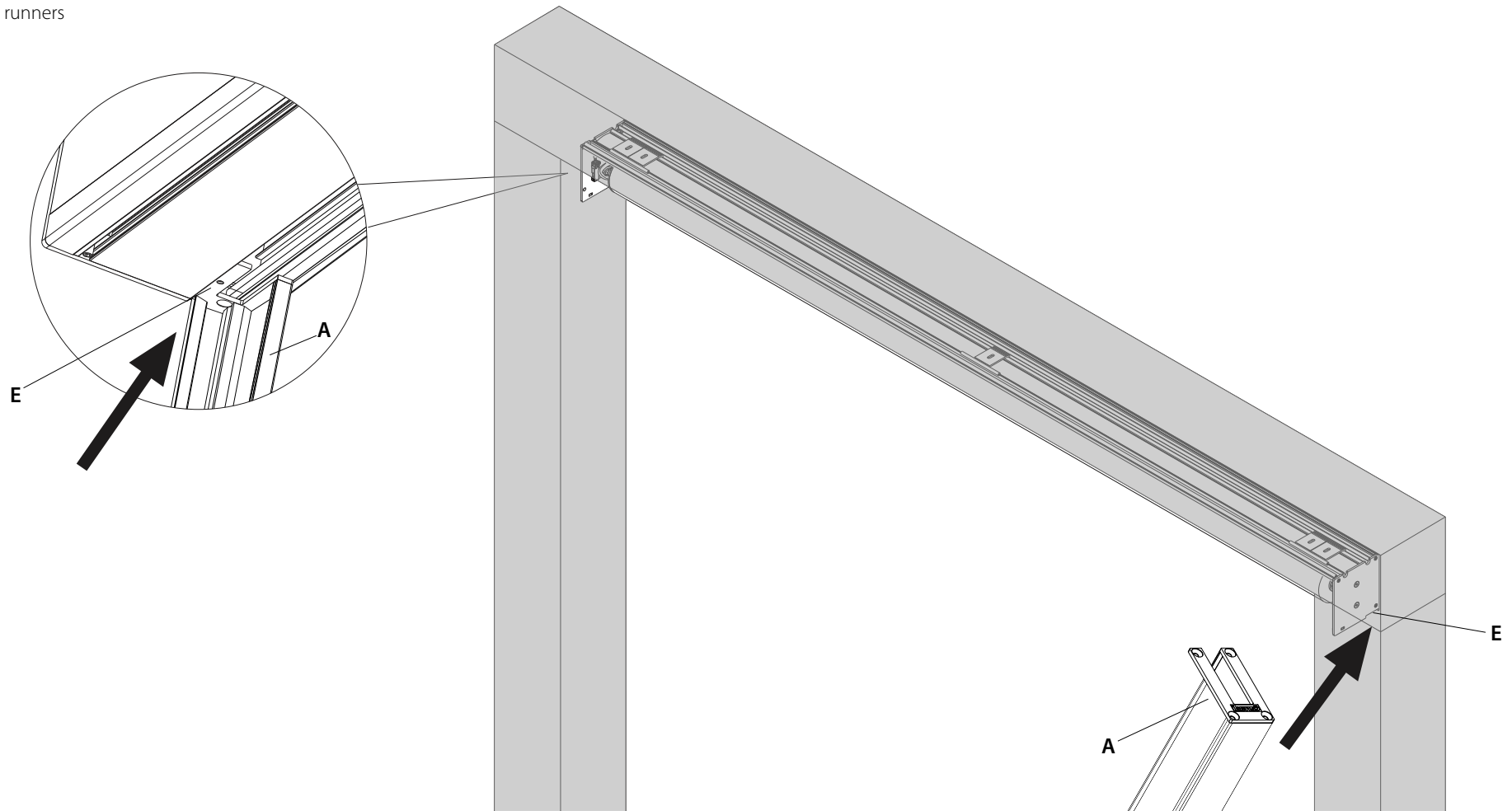


Fig. 28

Pick up fixed runners (**A**), make them slide along the structure wall and insert them into the milling holes (**E**) on the protection cassette plates (both on left and right sides).

8 FIXING FIXED RUNNERS WITH CEILING MOUNTED PROTECTION CASSETTE

Positioning fixed runners
of ceiling mounted protection cassette
Alba/Kubo
Palladia

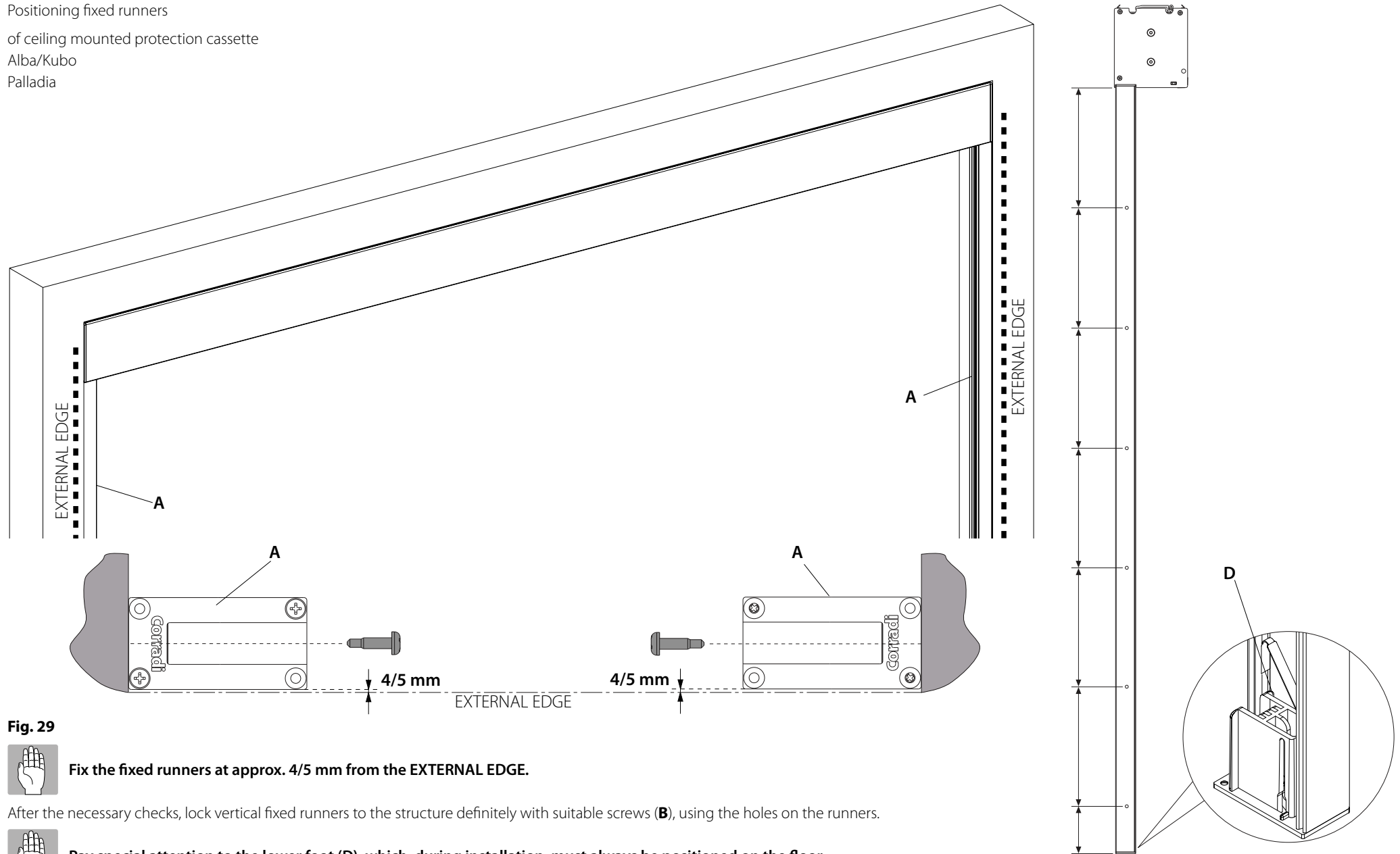



Fig. 29
 **Fix the fixed runners at approx. 4/5 mm from the EXTERNAL EDGE.**

After the necessary checks, lock vertical fixed runners to the structure definitely with suitable screws (B), using the holes on the runners.

 **Pay special attention to the lower foot (D), which, during installation, must always be positioned on the floor.**

9 FIXING FIXED RUNNERS WITH WALL MOUNTED PROTECTION CASSETTE

Positioning fixed runners

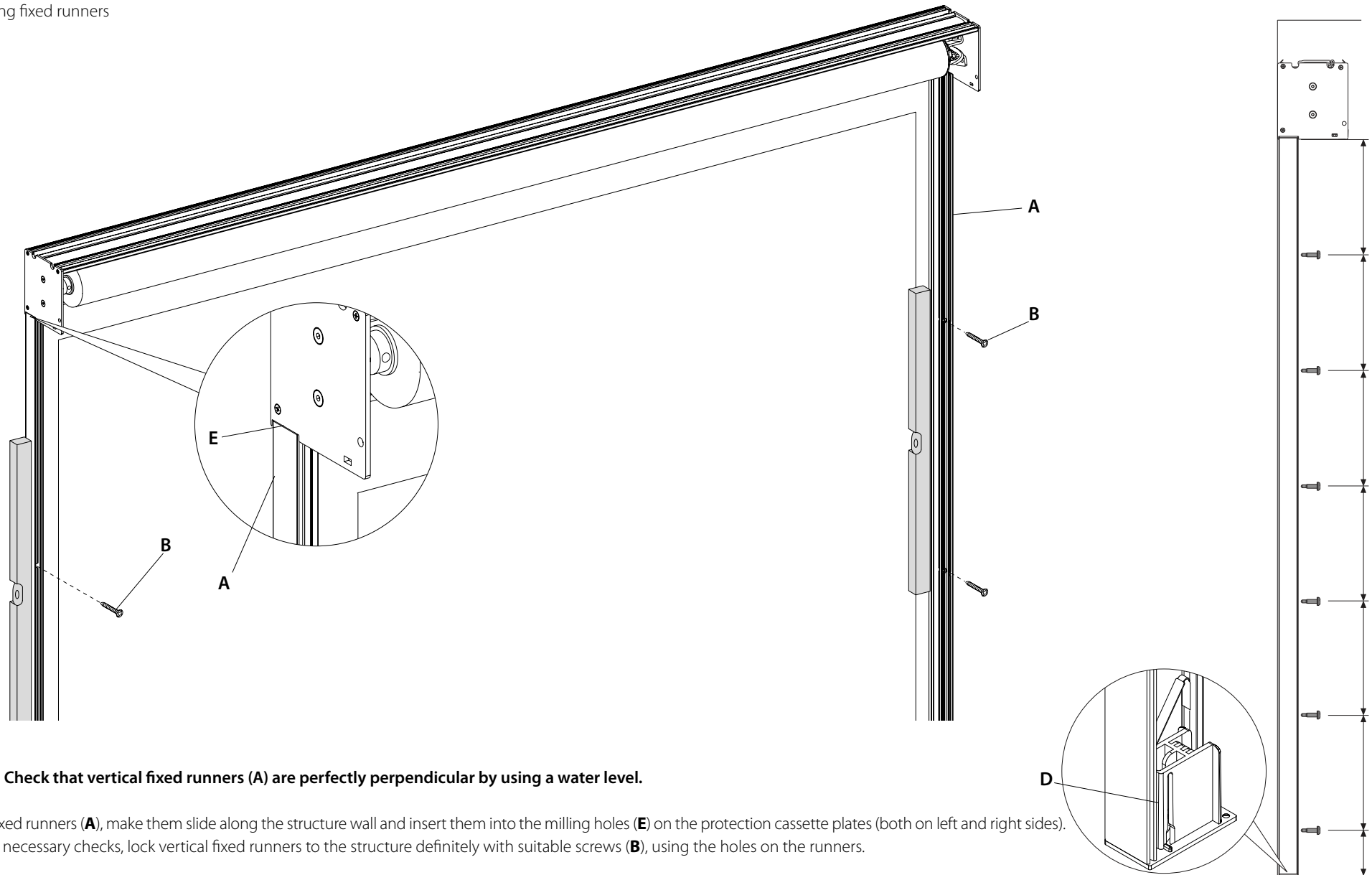


Fig. 30



Check that vertical fixed runners (A) are perfectly perpendicular by using a water level.

Pick up fixed runners (A), make them slide along the structure wall and insert them into the milling holes (E) on the protection cassette plates (both on left and right sides). After the necessary checks, lock vertical fixed runners to the structure definitely with suitable screws (B), using the holes on the runners.



Pay special care to the lower foot (D) which, during installation, must always be positioned on the floor (in case of space below the runner add the supplied shims - see page 42).

10 TERMINAL INSERTION

Terminal insertion

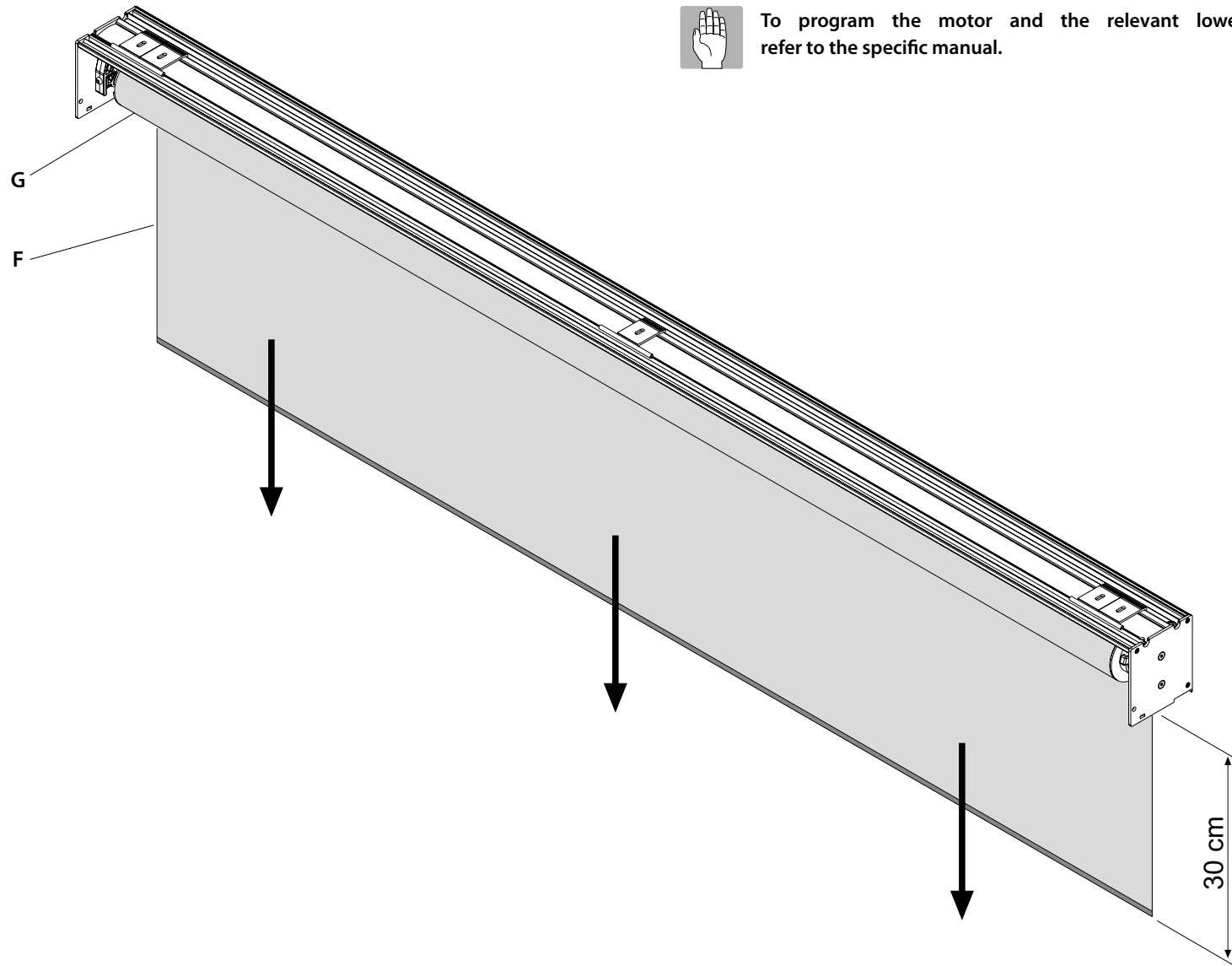
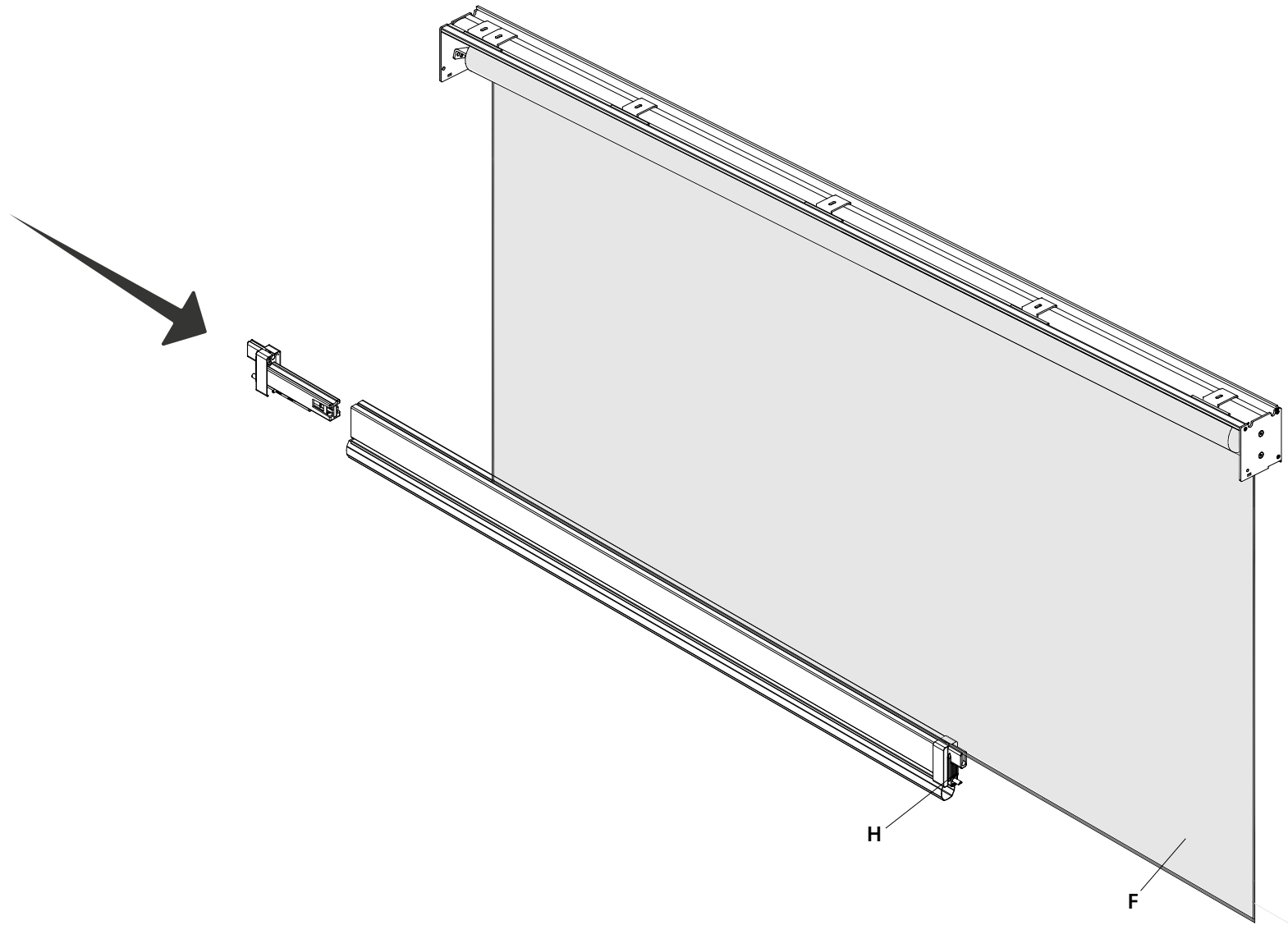


Fig. 31

Unwind the canvas (**F**) from the roller (**G**) by a length of approximately 30 cm.

Terminal insertion

**Fig. 32**Insert the terminal (**H**) on the canvas strip (**F**).

11 COMPLETING THE RUNNER INSERTION

Zip runner insertion

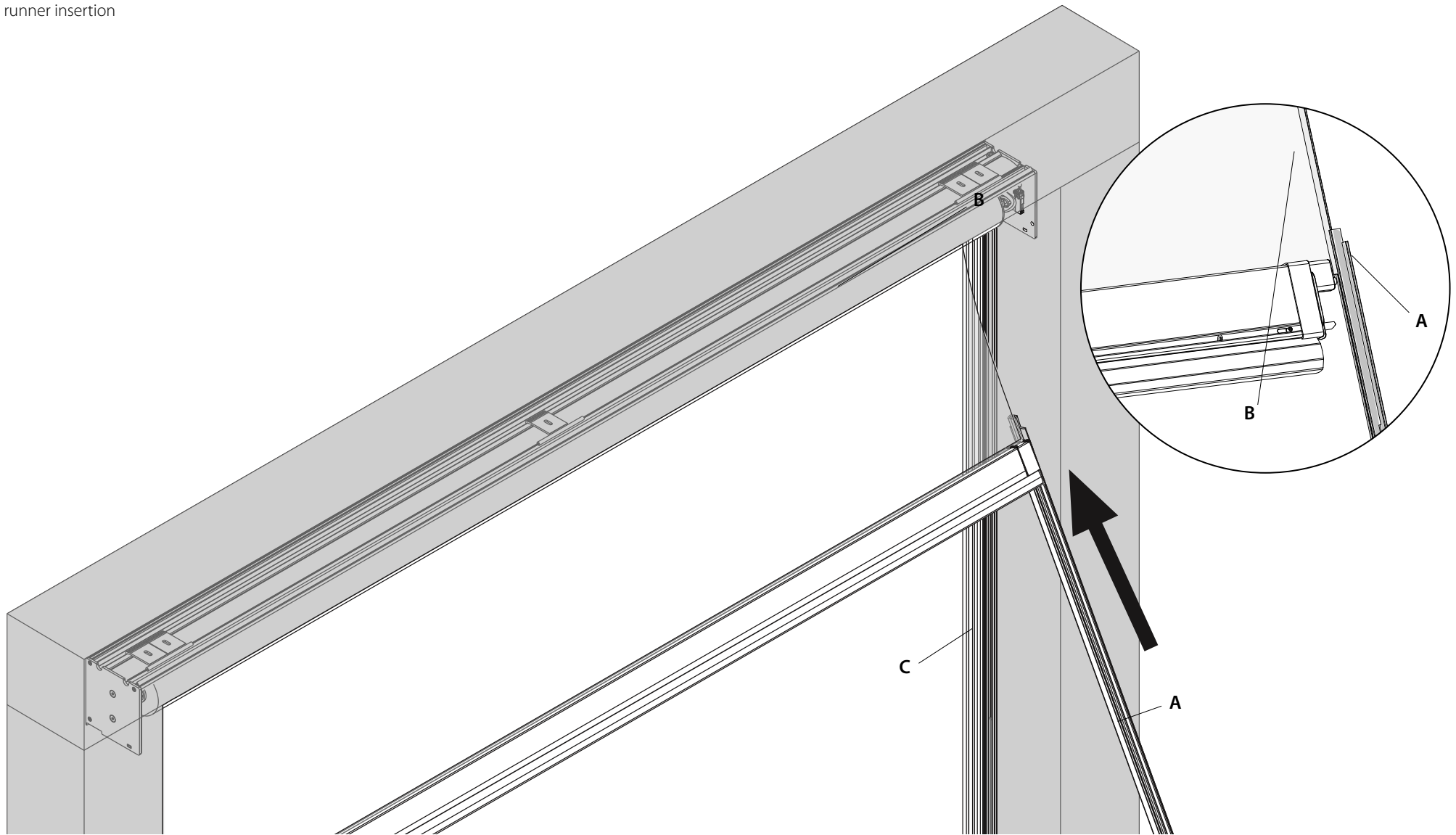


Fig. 33

Slide the zip runner (A) along the external strip of the canvas (B) and position it inside the fixed runner (C).
Perform this operation on right and left sides.

11 COMPLETING THE RUNNER INSERTION

Retractable runner insertion

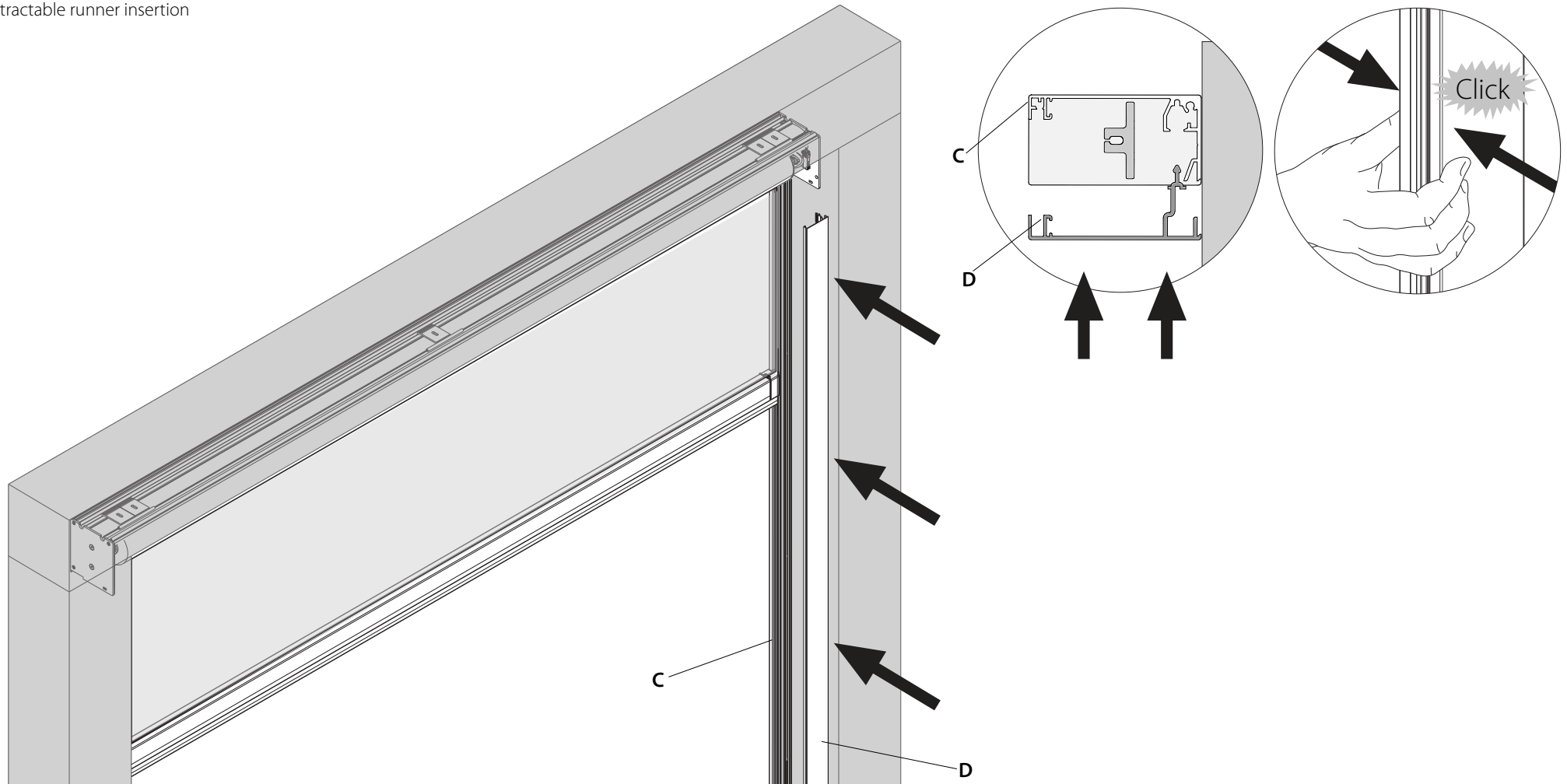
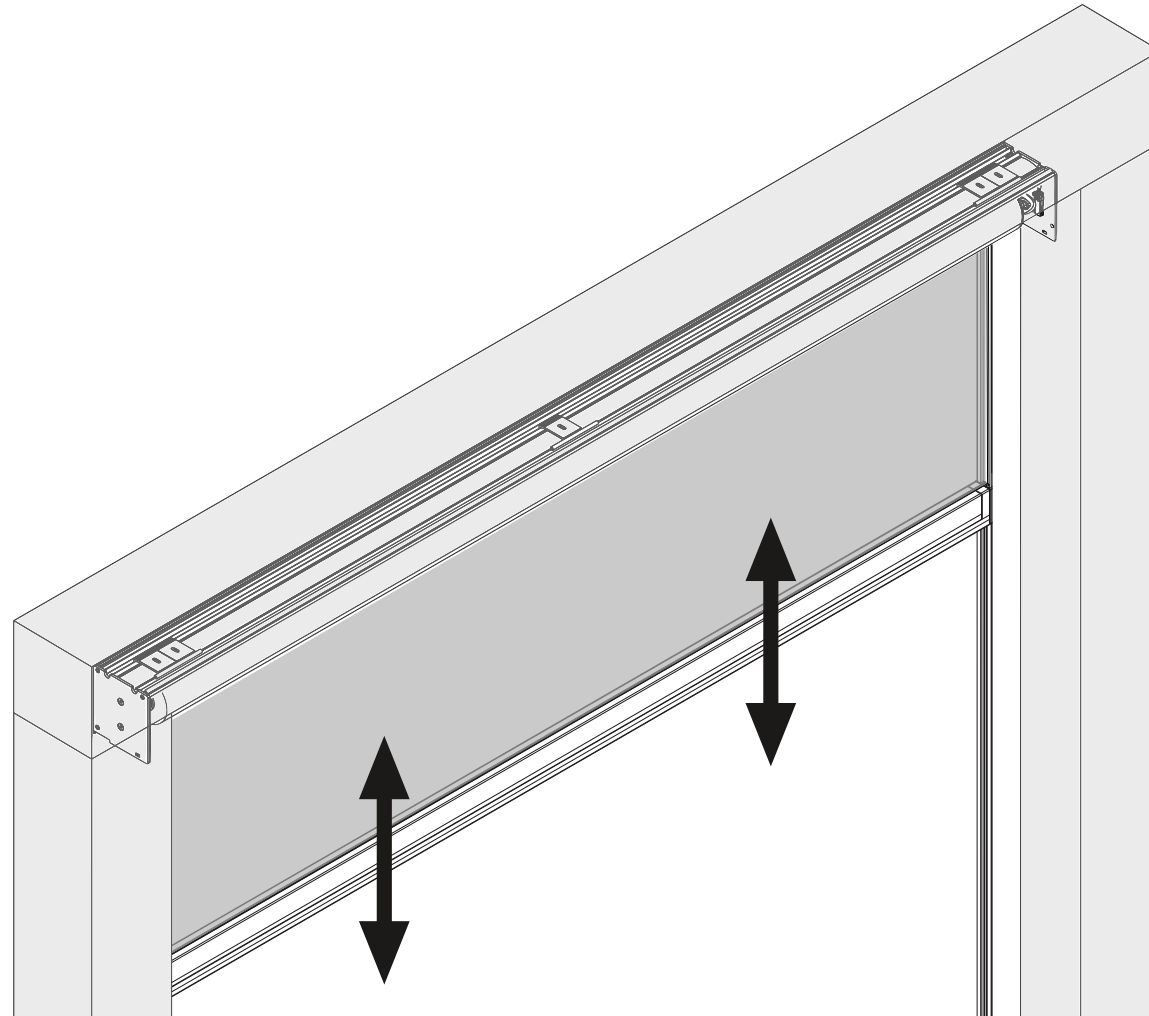


Fig. 34

Place the retractable runner (**D**) in front of the fixed runner (**C**) and, by pressing with your hands throughout its length, close it completely. Perform this operation on right and left sides.

12 MOVEMENT TESTING

Testing canvas sliding movement



ATTENTION: PRESENCE OF VOLTAGE, RISK OF ELECTRIC SHOCK/ELECTROCUTION.

Fig. 35

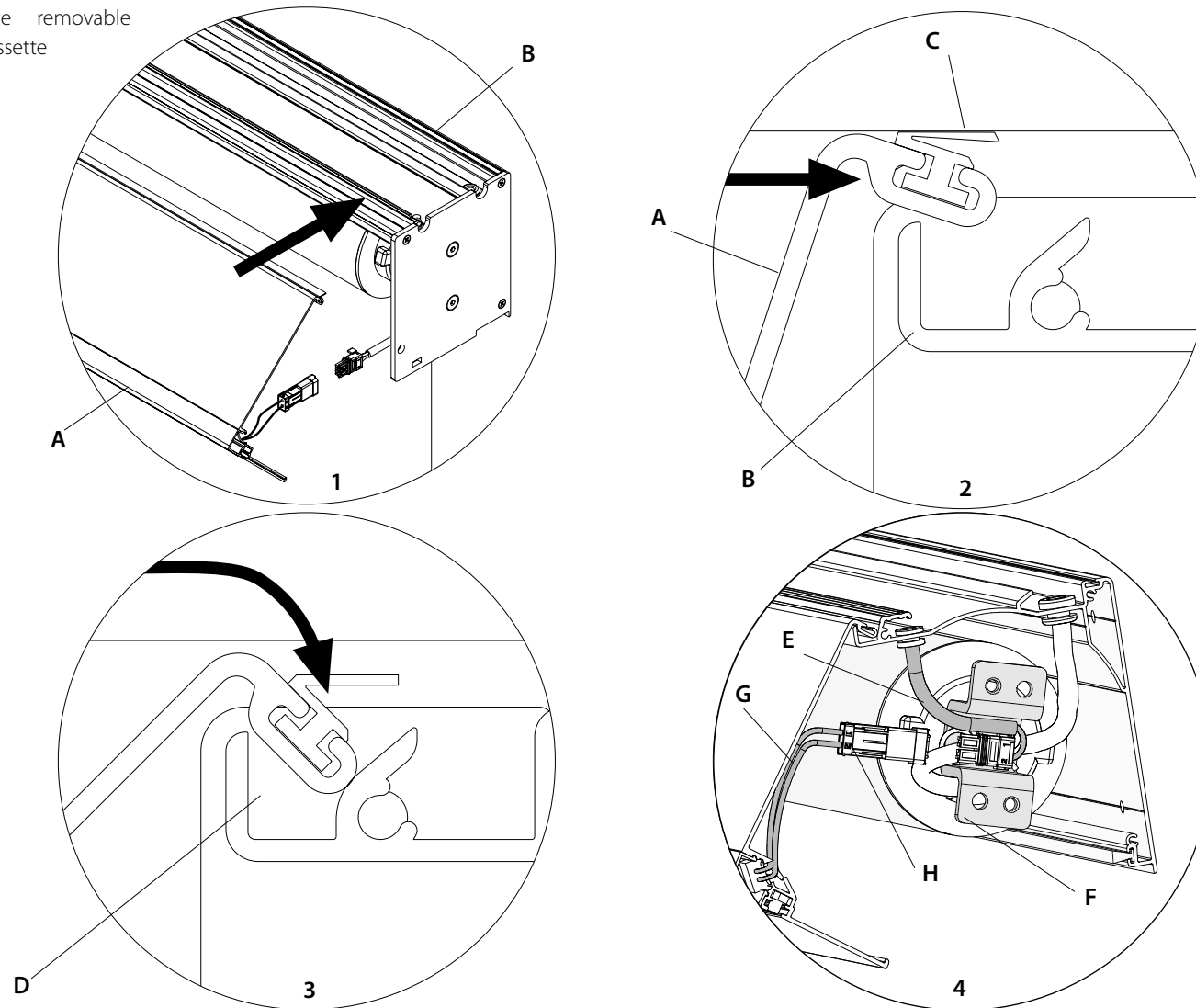
Carry out a temporary electrical connection on the motor supply cable and, using the supplied remote control, check that the canvas slides freely throughout its stroke.



Note: Once the testing phase is completed, disconnect the system from the power supply.

13 CLOSING THE CEILING MOUNTED PROTECTION CASSETTE

Inserting the removable protection cassette



BEFORE CLOSING THE PROTECTION CASSETTE INSERT THE CONNECTOR IN THE MOTOR SUPPORT OMEGA (F)

Fig. 36

- 1 Bring the removable protection cassette (A) near the fixed protection cassette (B).
- 2 Slightly rotate the removable protection cassette (A) and, applying a light pressure on the gasket (C), insert it between the ceiling and the fixed protection cassette (B).
- 3 further rotate the removable protection cassette (A) to insert it into its seat (D).
- 4 Insert power cable (E) inside the omega canvas support (F). Hold the LED strip cable (G) pressed against the wall of the movable protection cassette (A) and connect.

14 CLOSING THE WALL MOUNTED PROTECTION CASSETTE

Closing BRIO wall mounted removable protection cassette

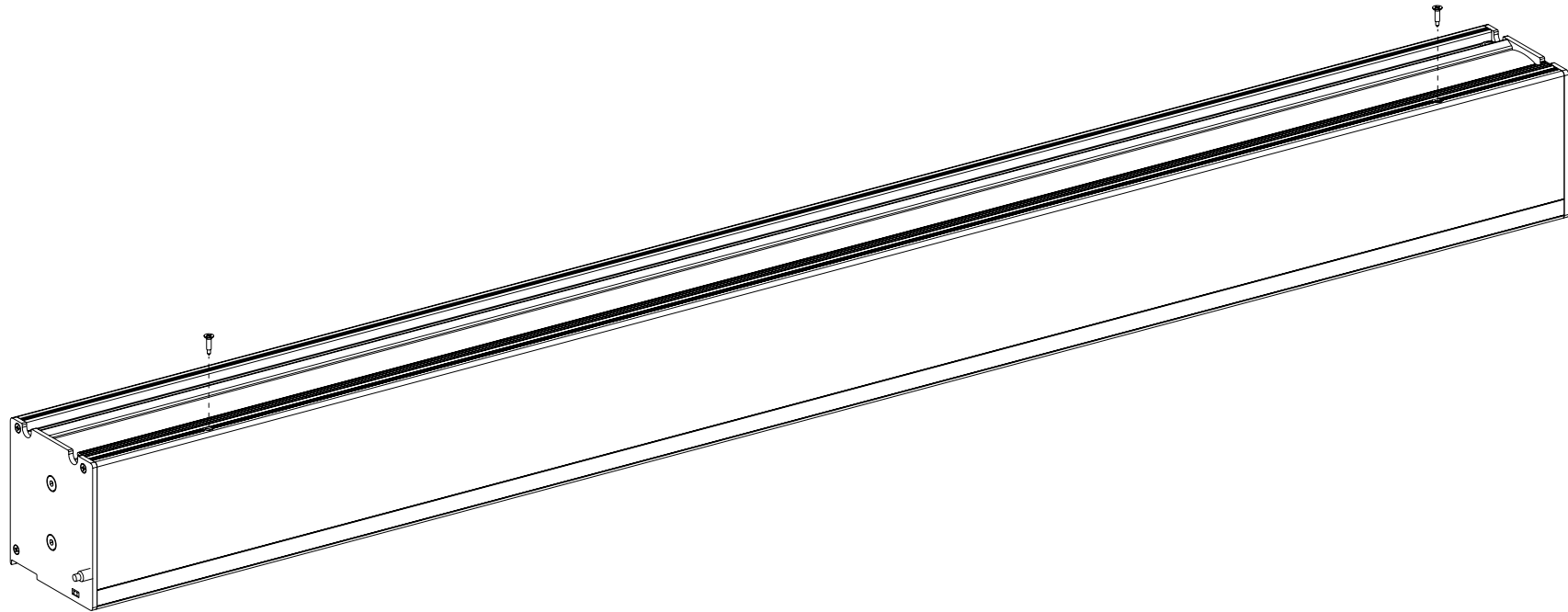


Fig. 37
In BRIO wall mounted version, the removable protection cassette is fixed to the fixed protection cassette by means of screws (quantity suitable for the structure length).
For its closure, it is recommended to use the specific screws supplied.

15 LOCKING THE PROTECTION CASSETTE

Locking the removable protection cassette

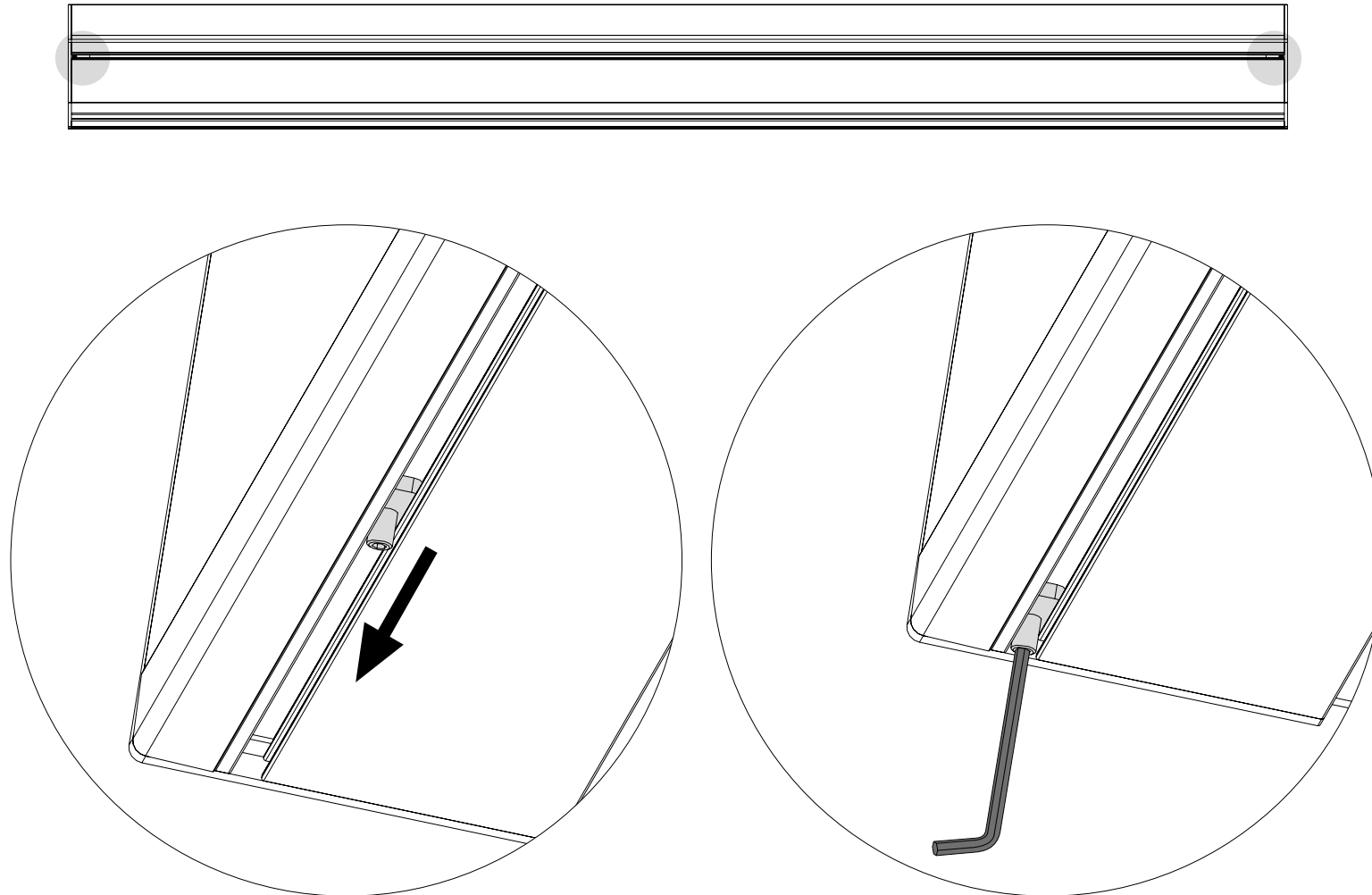


Fig. 38

Slide the locking plate (A) and use a hexagon socket wrench to tighten the screw (B).
This operation must be repeated on both sides of the protection cassette.

16 OPENING THE PROTECTION CASSETTE FOR MAINTENANCE

Removable protection cassette locked in the open position for inspections.

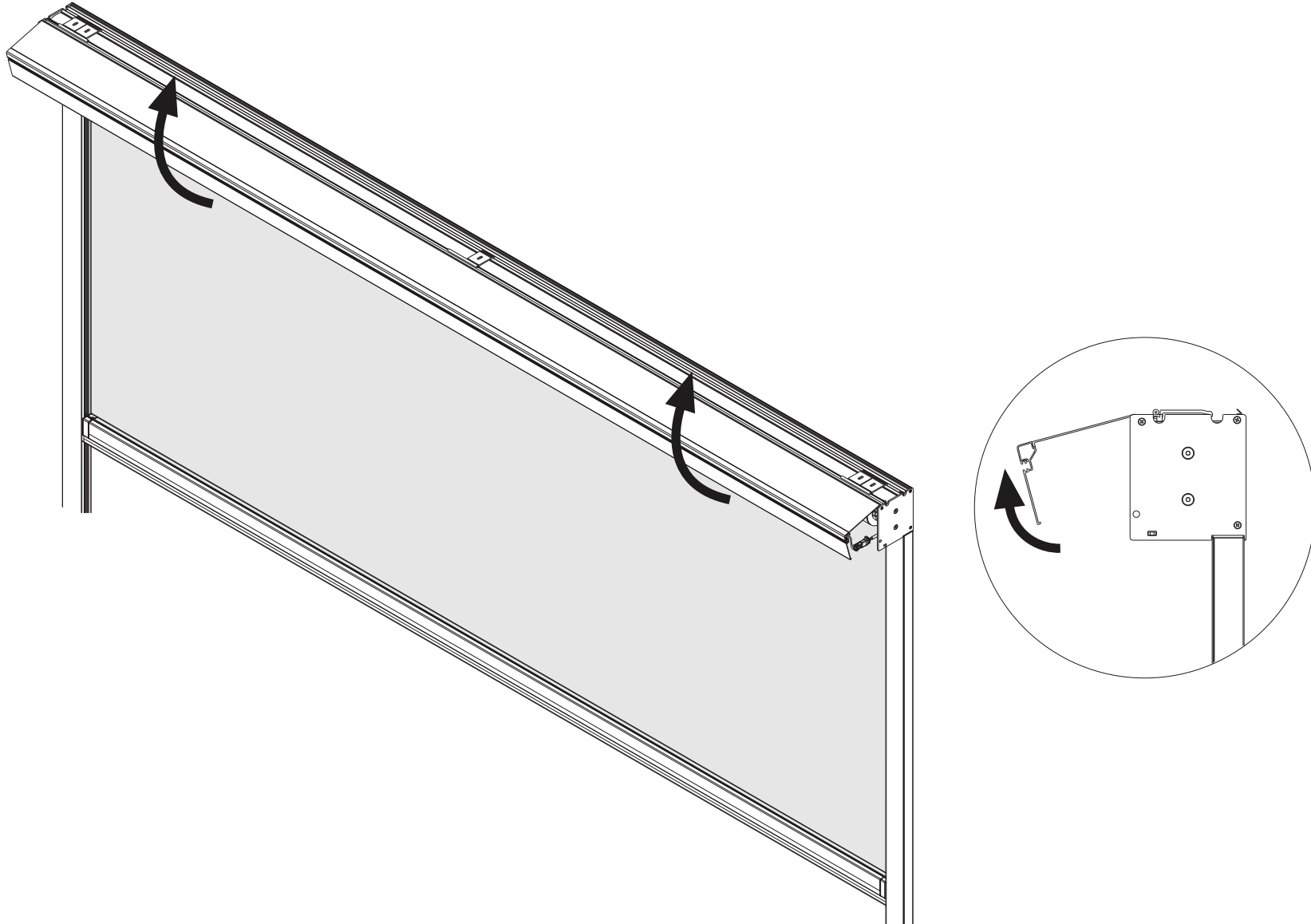


Fig. 39

To ease maintenance and checking operations, the protection cassette can be locked in the open position

17 REMOVING THE CEILING MOUNTED PROTECTION CASSETTE

Complete removal of removable protection cassette from the ceiling mounted structure.

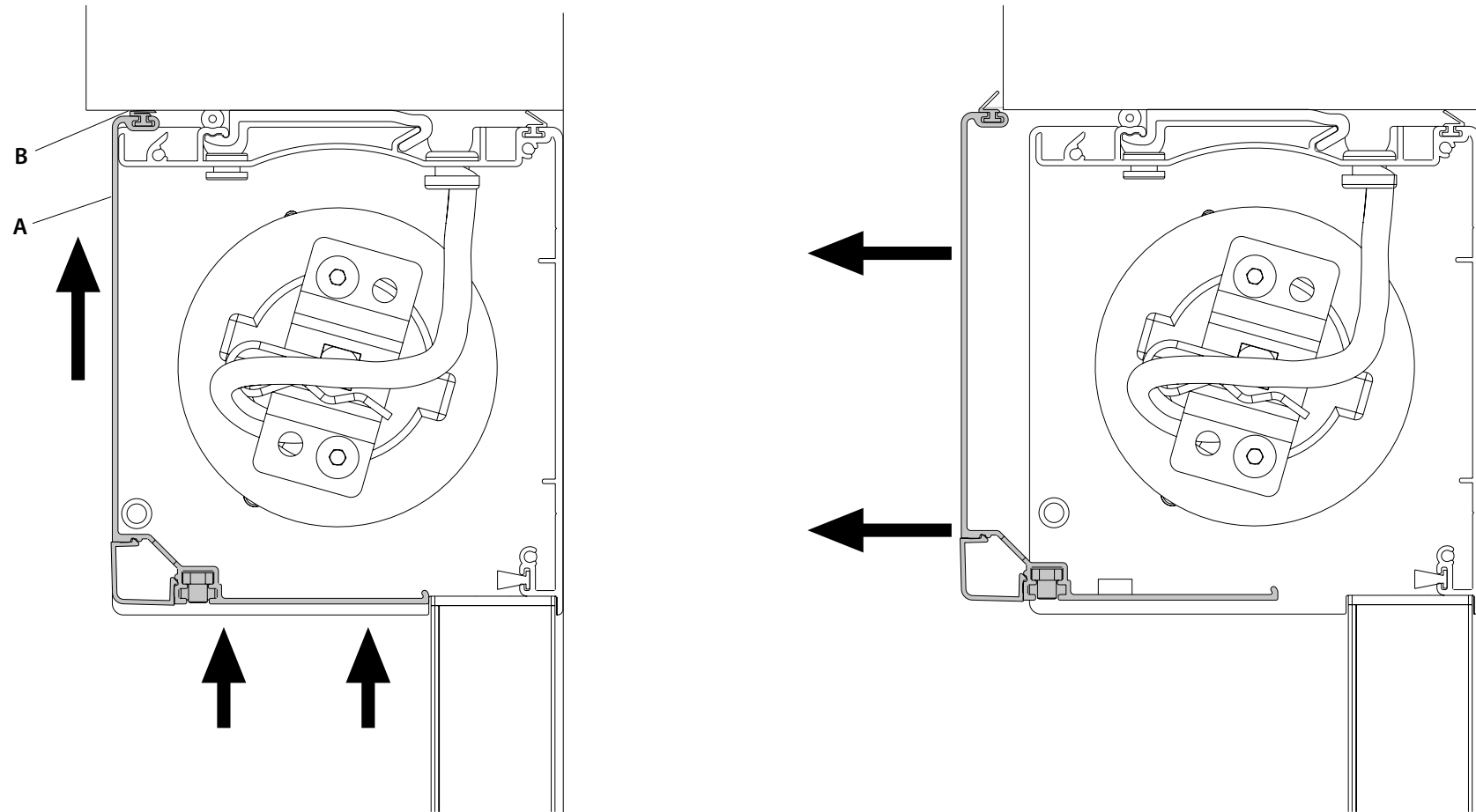


Fig. 40

Lift the removable protection cassette (A), by pushing the gasket (B) against the ceiling, and remove it making it slide outwards.

18 OPENING THE SIDE RUNNER

Terminal rotation to open the retractable runner

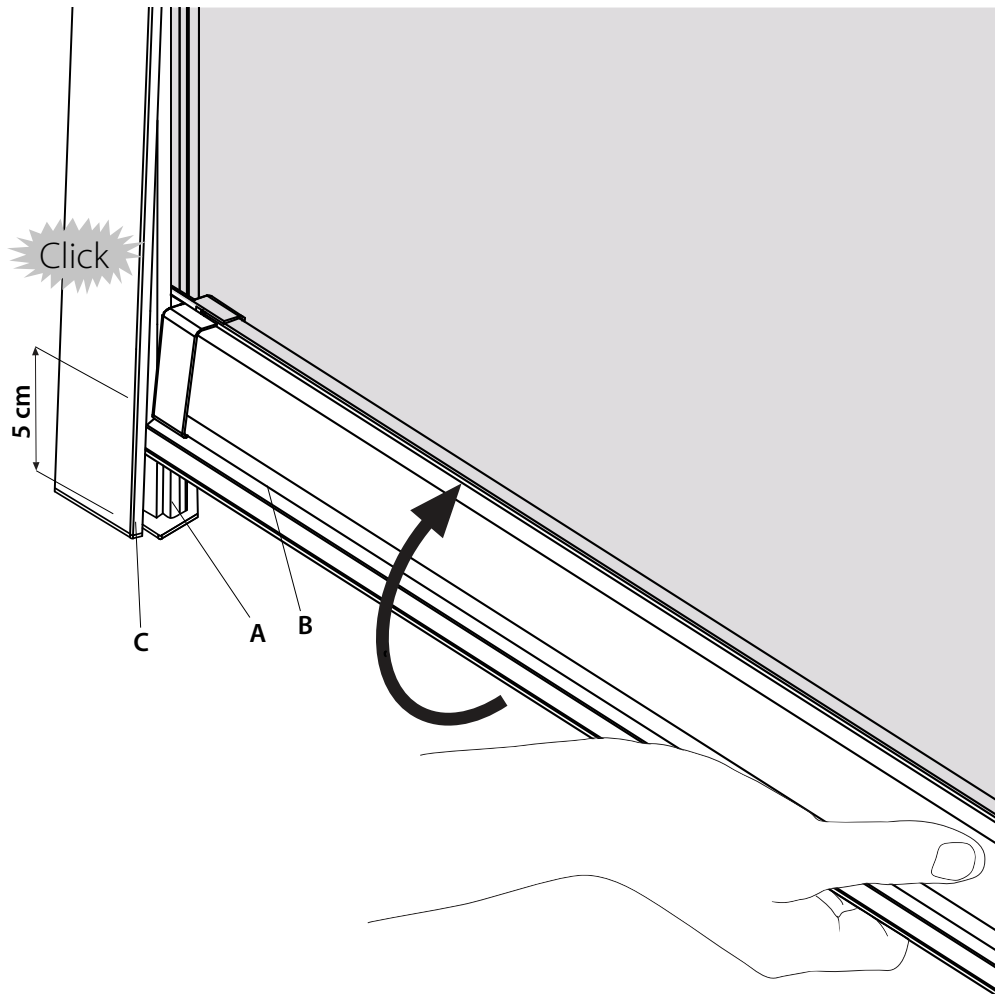


Fig. 41

Should it be necessary to open the side runners (A), position the terminal (B) at approximately 5 cm from the ground.
Turn the terminal (B) until the edge of the retractable runner (C) is unlocked.

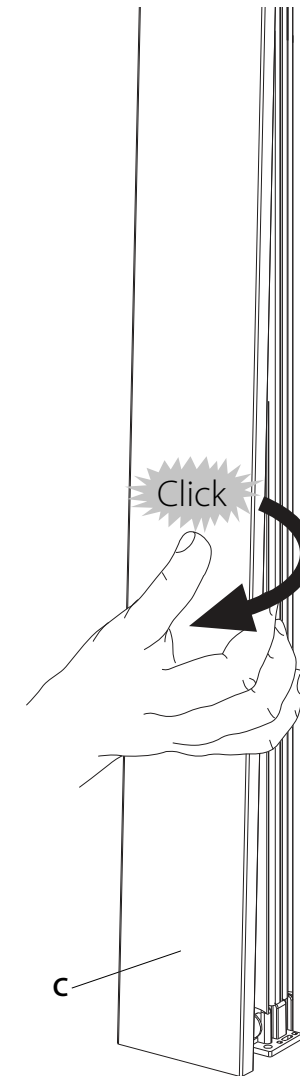


Fig. 42

Lift the canvas completely.
Then unlock the retractable runner (C) completely, levering out with your hands while going up gradually throughout its length.

19 REMOVING THE WALL MOUNTED PROTECTION CASSETTE

Opening BRIO wall mounted removable protection cassette

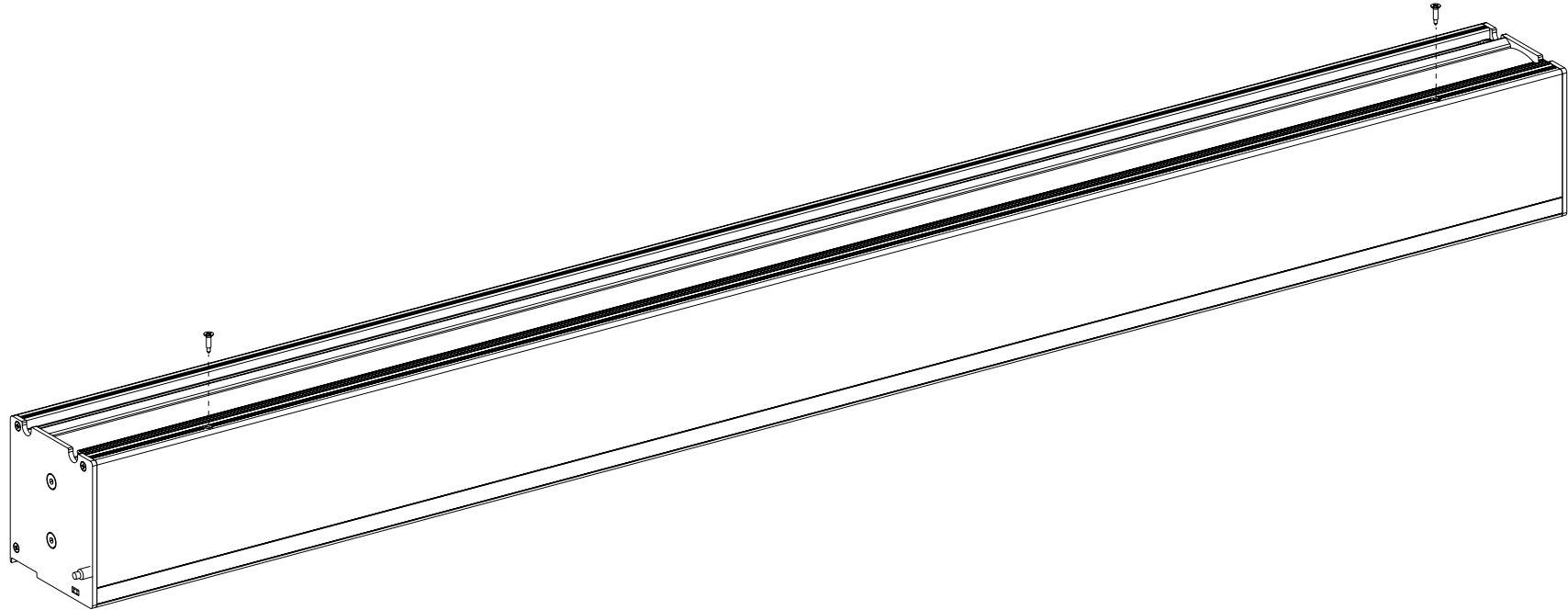


Fig. 43

In BRIO wall mounted version, the removable protection cassette is fixed to the fixed protection cassette by means of screws (quantity suitable for the structure length). To open, loosen the screws on the upper side of the removable protection cassette and remove it from its seat.

20 INSTALLATION ON UNEVEN FLOOR

BRIO lower levelling

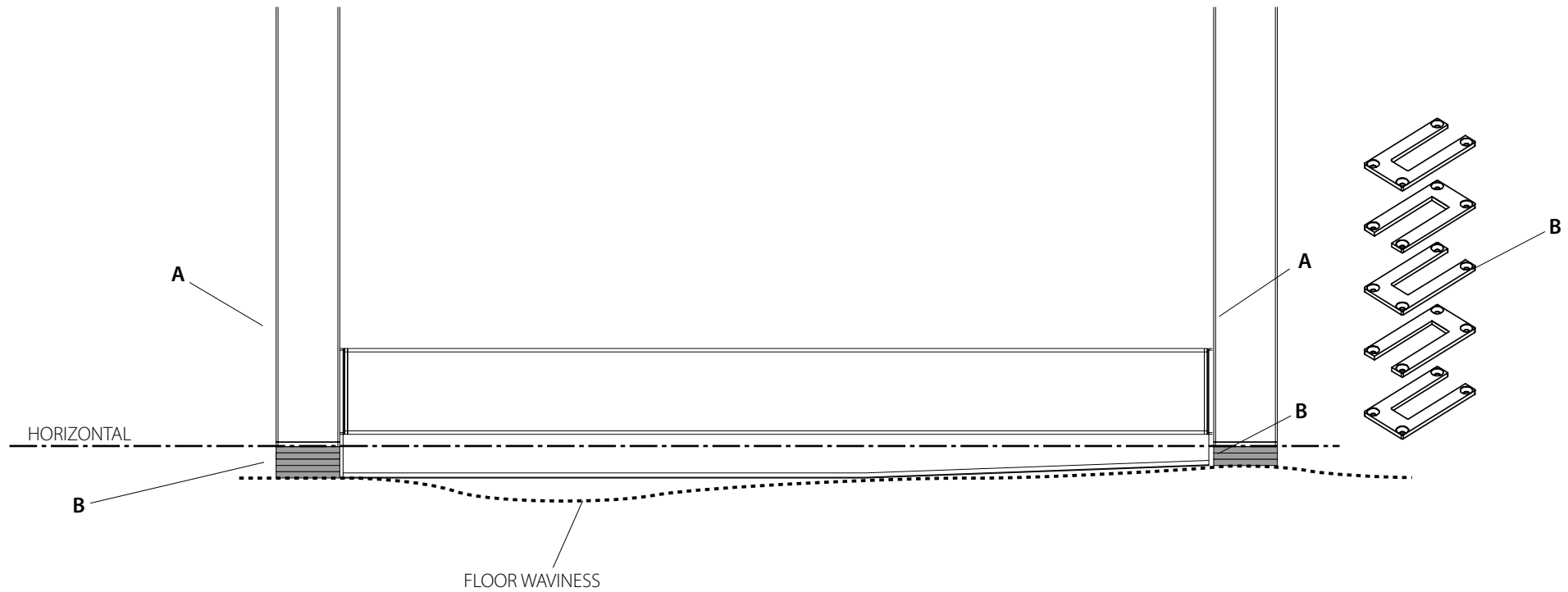


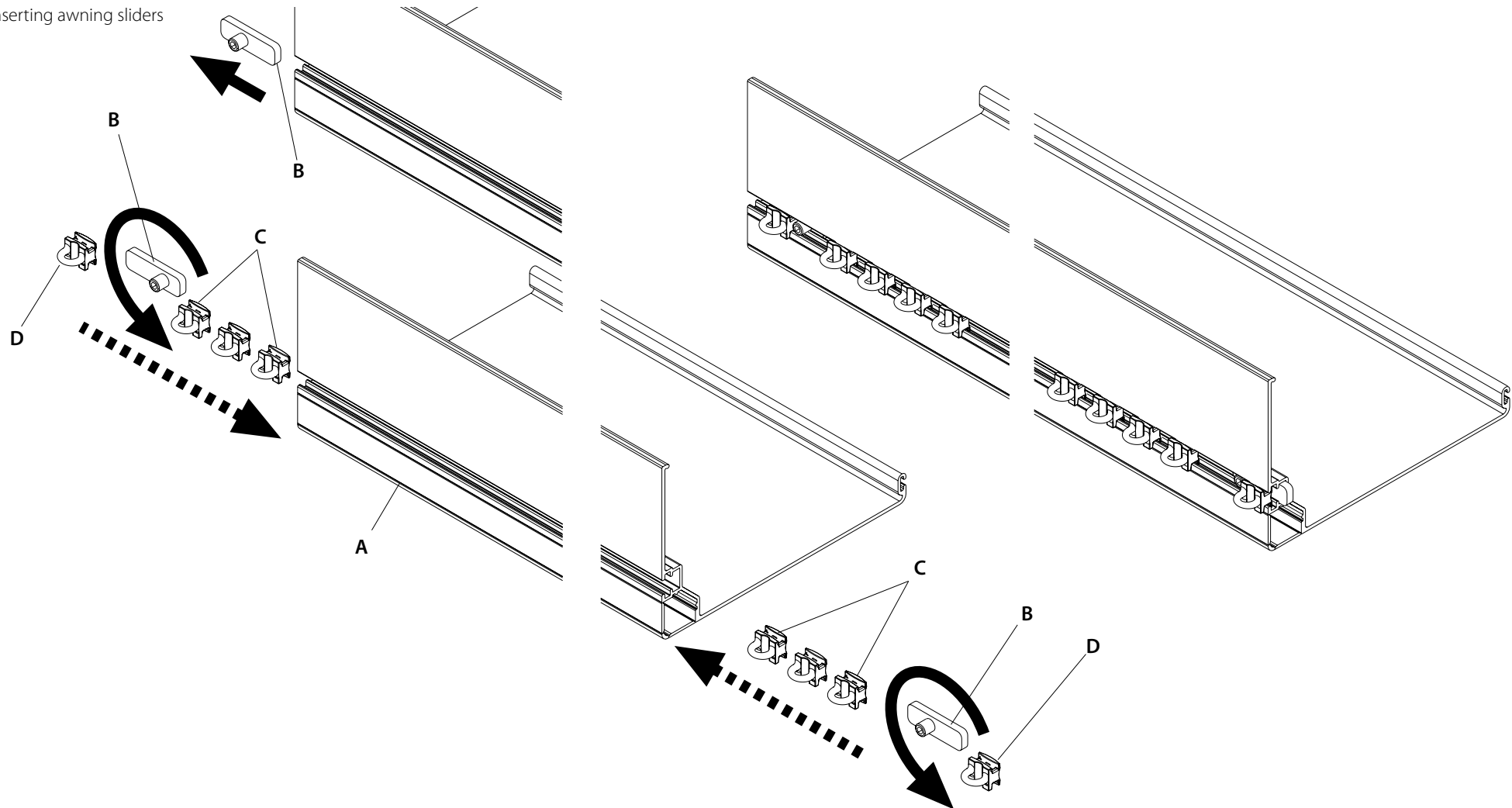
Fig. 44

In case of uneven floor, specific spacers (**B**) can be placed under the side runners (**A**).

Remove the (short) screw fixing the lower plate and add as many new plates as necessary to compensate for the unevenness of the floor.

For installation under the runner (**A**), plates (**B**) must be assembled as shown in the figure and fixed to the runner with the (long) screw supplied.

Inserting awning sliders

**Fig. 45**

For BRIO version with awning, sliders must be inserted inside the runner on the lower side of the removable protection cassette.

Remove the two locking plates **(B)** on the two external sides of the protection cassette **(B)**. In the suitable runner, insert all the sliders **(C)** supplied with the awning kit **(except two, which must be inserted later)**.

At the ends of the protection cassette **(A)**, insert the two plates **(A)** rotated, so that the long side faces outwards.

Insert (one per side) the last two sliders supplied with the awning kit **(D)**, which must be locked upon the final closure of the removable protection cassette and will then serve as a collecting point for the awning canvas.

*Pay attention to protection cassette movements, the slider **(A)** is not yet locked and could come out from its runner.*

22 LOCK PROCEDURES

First Activation

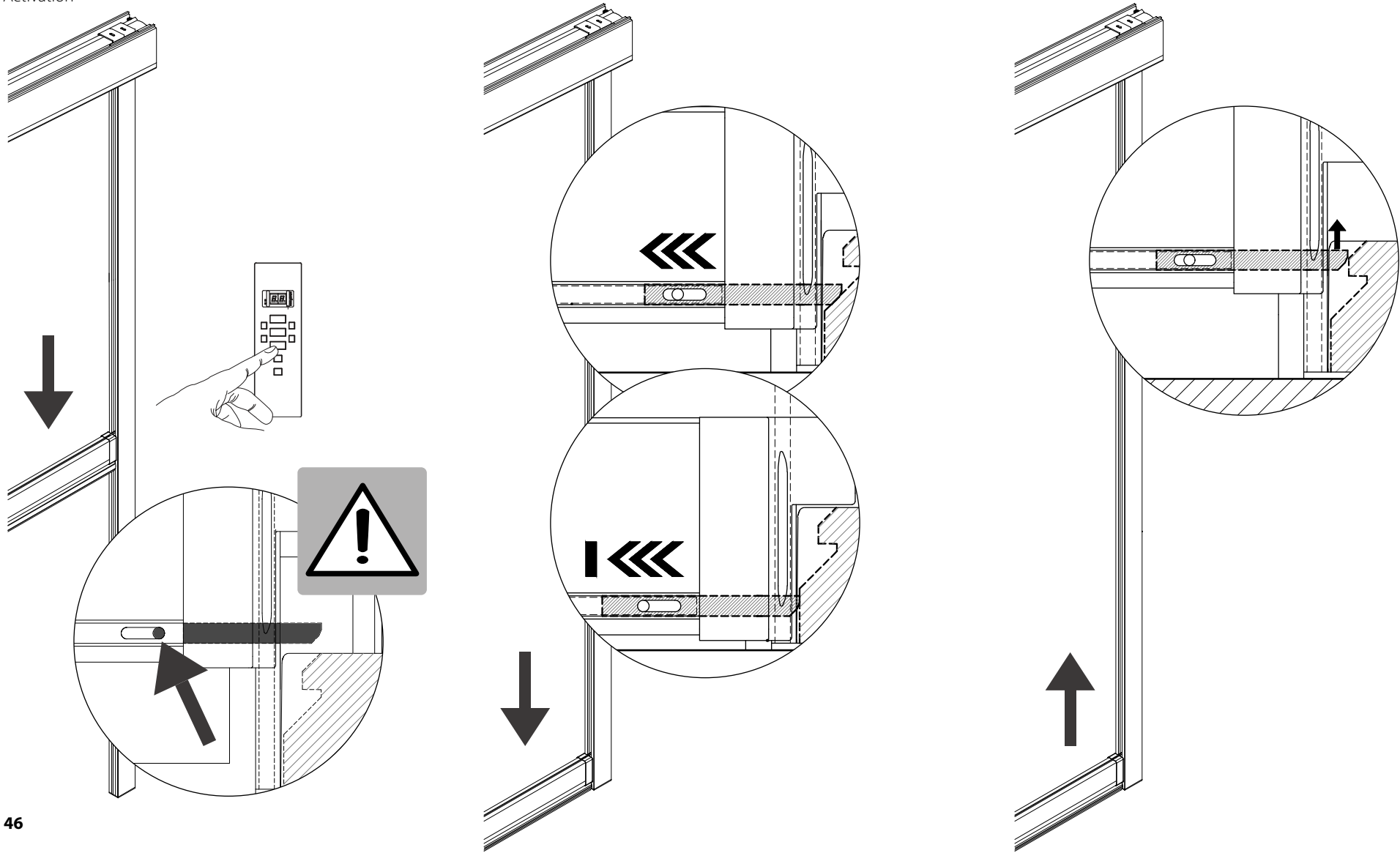


Fig. 46

First SCREEN activation

Move the terminal approx. halfway through the height. Move the dowel to the position shown in the drawing. Activate awning.

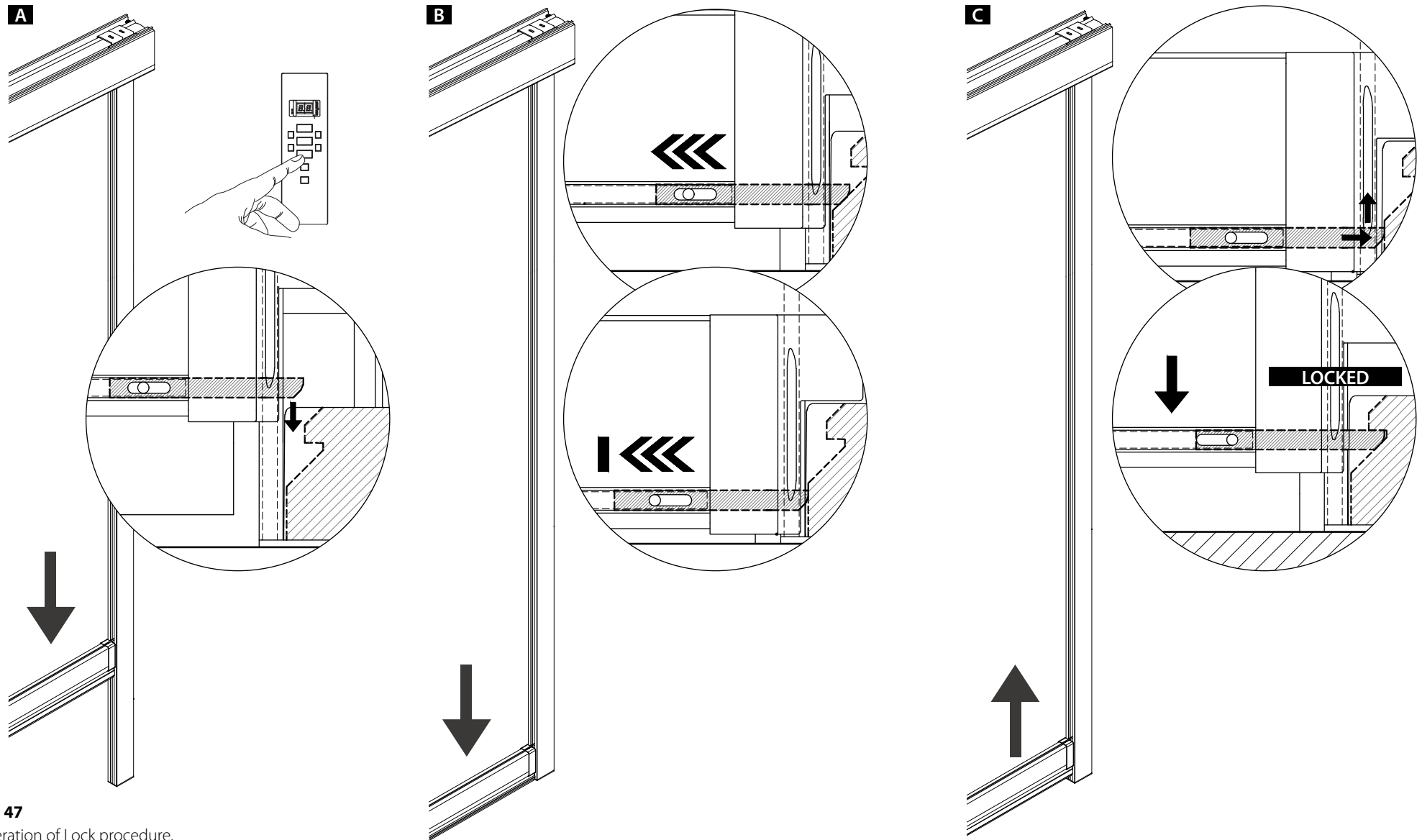


Fig. 47
Operation of Lock procedure.

22 LOCK PROCEDURES

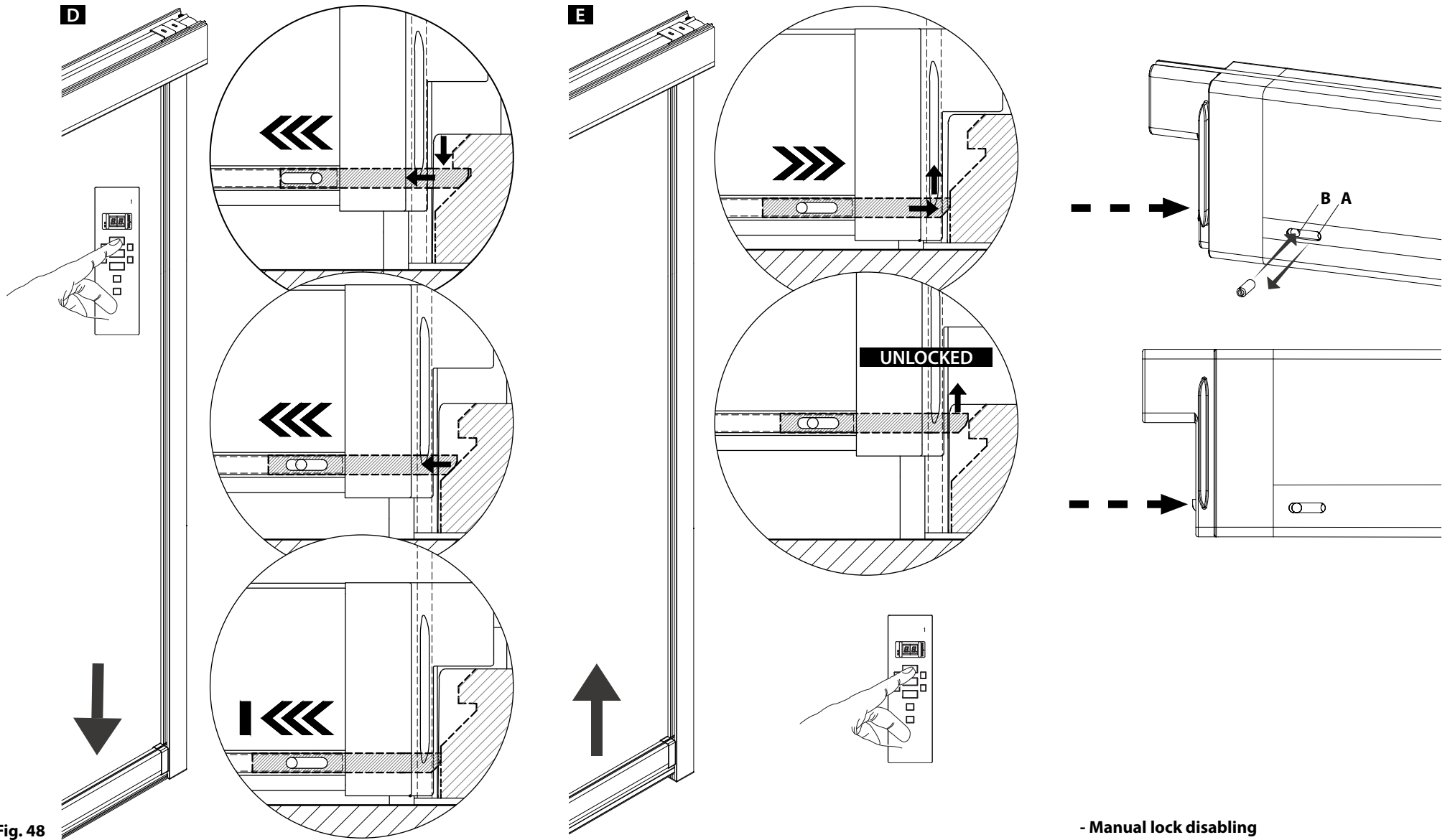


Fig. 48
Unlock procedure.

- Manual lock disabling
- Remove the dowel from the position (A) and insert it in (B).



Corradi
OUTDOOR LIVING SPACE

Corradi srl
Via M. Serenari, 20 • 40013 Castel Maggiore (BO), Italy
T +39 051 4188411 • F +39 051 4188400
hello@corradi.eu
www.corradi.eu