





# INSTALLATION MANUAL

---

## TRANSLATION OF THE ORIGINAL INSTRUCTIONS

Dear installer,

In this manual you will find all recommendations for a fast and precise installation of the components.

Sure of your expertise in the use of our products, we recommend you to strictly respect our indications.

We are also willing to accept suggestions and useful information on possible improvements both in installation techniques and form of this manual.

We would like to remind you to always consider the installation conditions by checking with the utmost attention the conformity of the chosen materials with the environmental conditions.

It is also a good rule to issue a final declaration of correct installation according to the specifications provided for in this manual, beside the mandatory declarations of conformity required by law, where requested.

AURA is a product by CORRADI s.r.l.

Any technical operation necessary during the installation must be carried out exclusively by skilled and authorised personnel.

Any personal operation (tampering with, technical changes, etc.) performed during the warranty period voids the warranty immediately.

CORRADI S.r.l. reserves the right to apply technical changes to the components or the product, without prejudice to the main features, at any time without notice.

## CONTENTS

|   |   |
|---|---|
| Symbols                                   | 2 |
| Material check, unpacking and preparation | 4 |
| Applications and Versions                 | 5 |
| Main components                           | 7 |
| Assembly                                  | 8 |

# SYMBOLS

## SYMBOLS

These symbols are used to draw the installer's attention to specific operating conditions or subjects of particular importance for the safety of persons or the integrity of the product.



Attention: general operating note



Attention: pay utmost attention to the indications provided herein



Attention: general hazard - possibility of damage to people, property, components



Attention: electrical hazard



Attention: hand crushing hazard



Contact CORRADI S.r.l. or an authorised retailer

## GENERAL PRECAUTIONS



Before performing any installation, maintenance or cleaning operation, make sure to have understood the content of this manual. Failure to respect the instructions provided herein relieves CORRADI S.r.l. from any responsibility on damages to people, animals, property and/or components. The installation personnel must thoroughly respect the local prevailing accident-prevention regulations.



The electric connections for handling, installing automation accessories etc. must be performed exclusively by skilled personnel.

## GENERAL SAFETY WARNINGS

### Intended use

Any misuse of AURA relieves CORRADI S.r.l. from any responsibility.

When using the panel, please remember that each moving part can represent a hazard.



Do not remove casings, if any, after installation and, should they be removed for maintenance, first cut off the power supply (in case of motor-driven movement).

We recommend not to intervene on a moving part and make sure that no one is close to the structure before reactivating it after a technical and maintenance operation.



During the installation, maintenance, repair or adjustment operations, it is compulsory to cut off the power supply (if any).



We recommend putting a warning sign on the power supply main switch with the following indication:  
"Attention! Do not touch. Service personnel at work".

## WARNINGS AND CAUTIONS

The installation personnel (installers, electricians, etc.) must have the specific skills and mental and physical requirements necessary to perform the assigned tasks.

Upon installation, always perform preventive checks of the correct assembly, operation and efficiency of electrical and manual controls.



In case of faults, stop the movements immediately and contact the technical service of CORRADI S.r.l.



The use of non-original spare parts, tampering with and unauthorised changes relieves CORRADI S.r.l. from any responsibility on damages to people, property or animals.  
It is strictly forbidden to tamper with the connections, supports, runners, retainers, control and transmission units, and any other component of AURA awning.



### ATTENTION

All indicated measures (unless otherwise specified) are expressed in centimetres.

## PRELIMINARY CHECKS

When receiving the packed goods and before proceeding with the installation, check the material integrity and the presence of all components necessary for the installation.

Thoroughly follow the information provided in the paragraph "Material check, unpacking and preparation".



In case of faults, contact CORRADI S.r.l. or an authorised retailer

## DISPOSAL OF MATERIAL PACKAGING

Divide the different packagings according to the type of material (cardboard, nylon, polystyrene, etc.) and dispose of separately, in compliance with the standards in force.

# MATERIAL CHECK, UNPACKING AND PREPARATION

## PRELIMINARY INSPECTIONS

AURA is shipped in a strong package that protects it from impacts or crushing thanks to suitable polystyrene housings. The cover has a label indicating:

- the manufacturer data
- the order number
- the recipient name
- the customer reference name
- the package number
- The weight

Before opening the package, check that the data correspond to the ones you have.

The package contains, inside suitable housings, the components and accessories required for the installation of the panels and the User manual.

Packages weighing between 25 kg and 55 kg must be handled by at least two people.



### Note:

Screws for fastening to aluminium screws are present. There are no retaining elements like dowels since they must be decided by the installer according to the types of fastenings required (wall-mounting, wood, metal, etc.).



Proceed as follows:

- Remove the components from the package.



### Attention:

do not use a cutter to avoid damaging the metal element paint and wood.

**Corradi Srl**  
Via M. Serenari, 20 -  
40013 Castel Maggiore (BO) Italy  
T +39 051 4188 411 - F +39 051 4188 400  
www.corradi.eu


**Corradi**  
OUTDOOR LIVING SPACE

Cliente / Customer: XXXXXX

Indirizzo / Address: XXXXXXXXXXXX  
XXXXXXXXXXXXXXXXXXXX

Ordine nr:  
XXXX/X

Collo/Pack  
1 di 1



L406396M0010

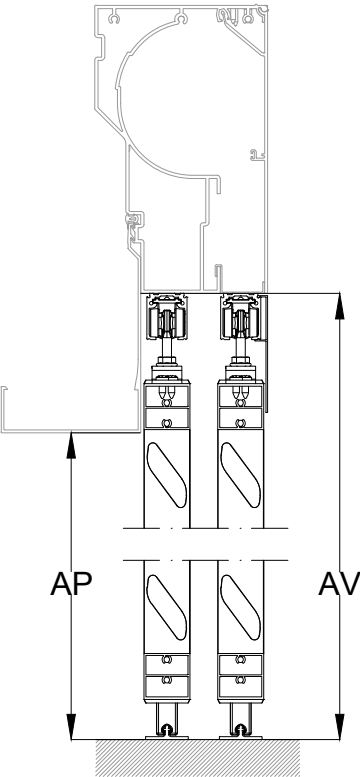
ETICHETTA  
PESO

Packing list n°: XXXXXX  
Contenuto/Content: Comando  
Mark: 0010  
Rif/Ref: FPSERVICE  
Numero: xxxxxxxxxxxx

LABEL FACSIMILE

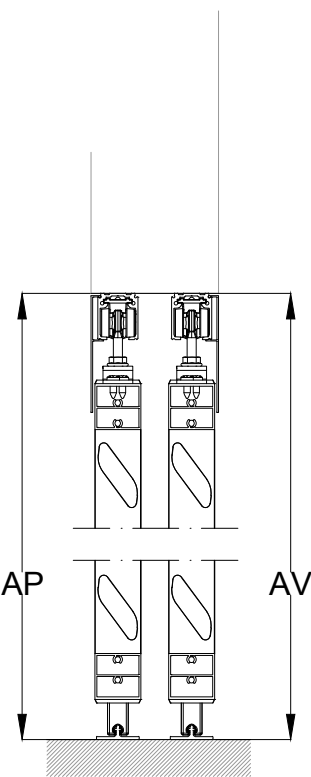
# APPLICATIONS AND VERSIONS

AURA is a custom-made horizontal sliding system for sun protection, to be installed on Corradi structures and existing structures. This system consists of panels composed of an aluminium frame and aluminium or wood blades, fixed or manually adjustable. The frame can have 2 runners only.



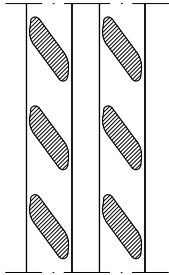
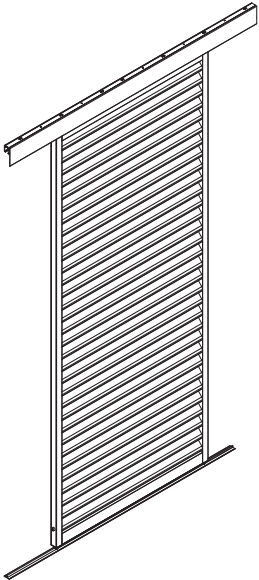
**AP = AV - 12cm**

AURA on PERGOTENDA® MAESTRO



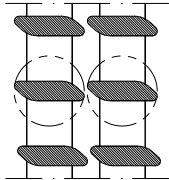
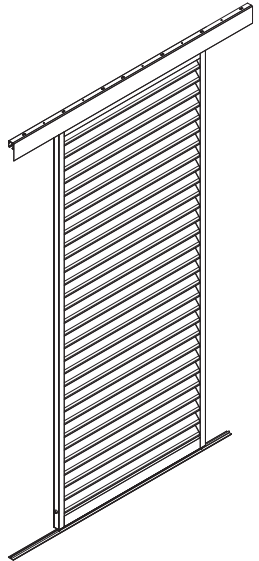
**AP = AV**

AURA on OTHER STRUCTURES



**AV max = 280 cm**

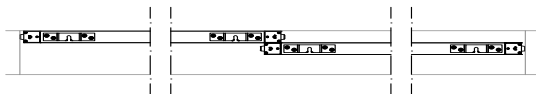
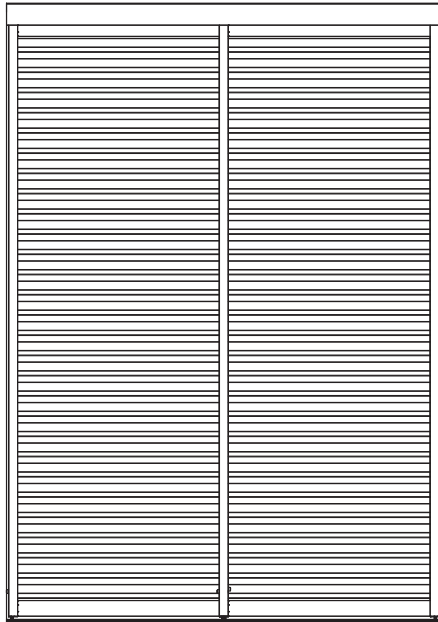
FIXED BLADES



**AV max = 260 cm**

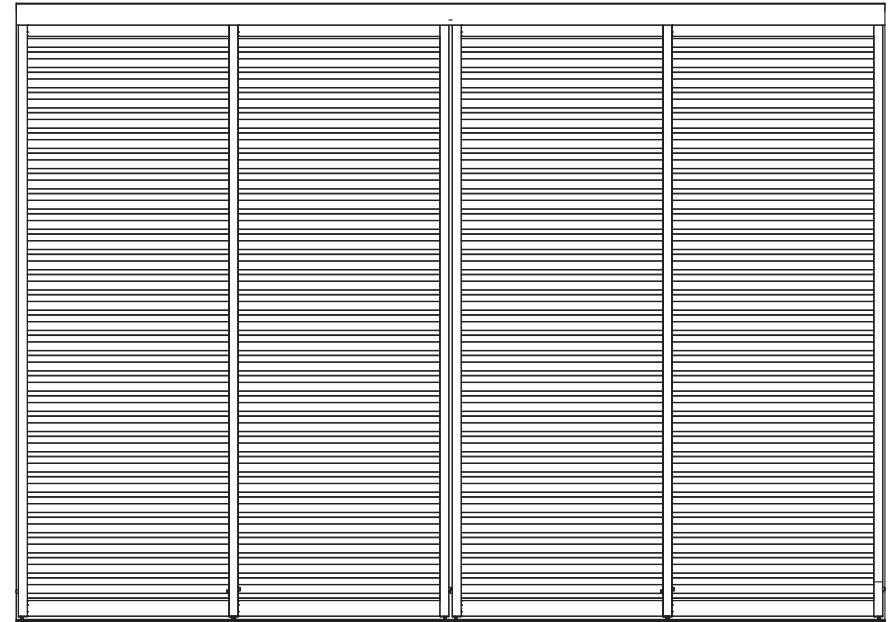
ADJUSTABLE BLADES

# VERSIONS



**L MAX 225 cm**

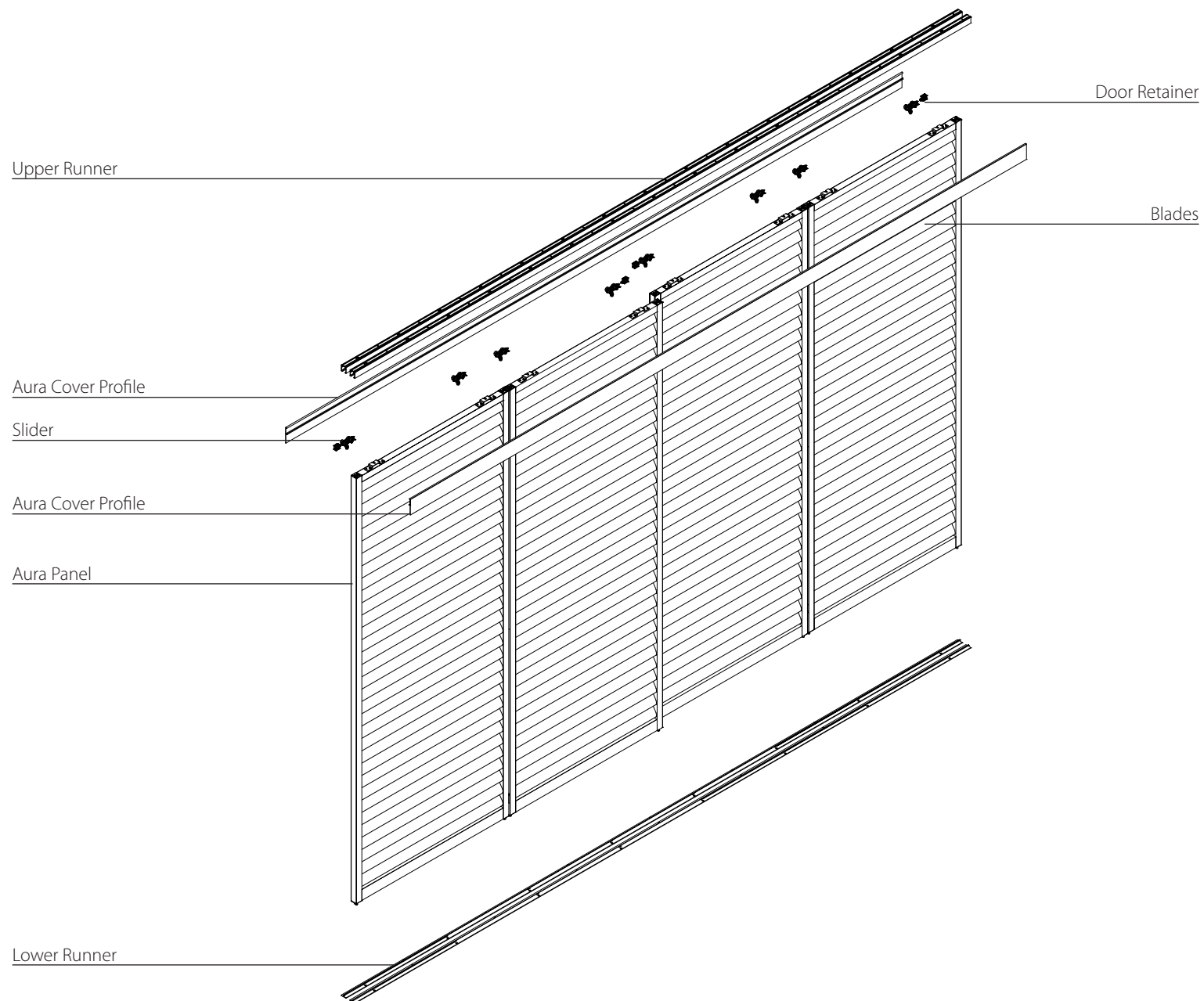
2 PANELS



**L MAX 440 cm**

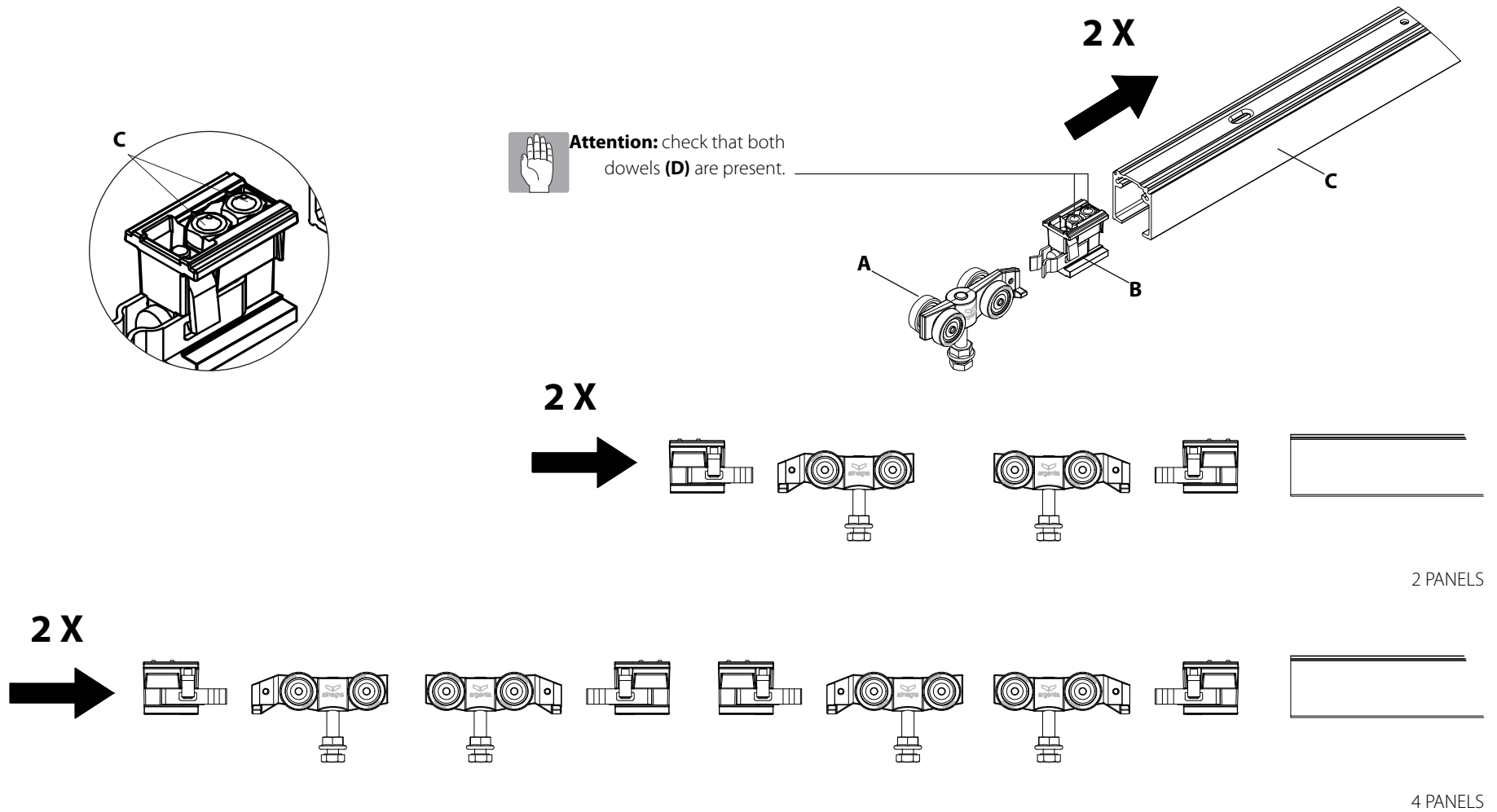
4 PANELS

Aura version with 4 Panels



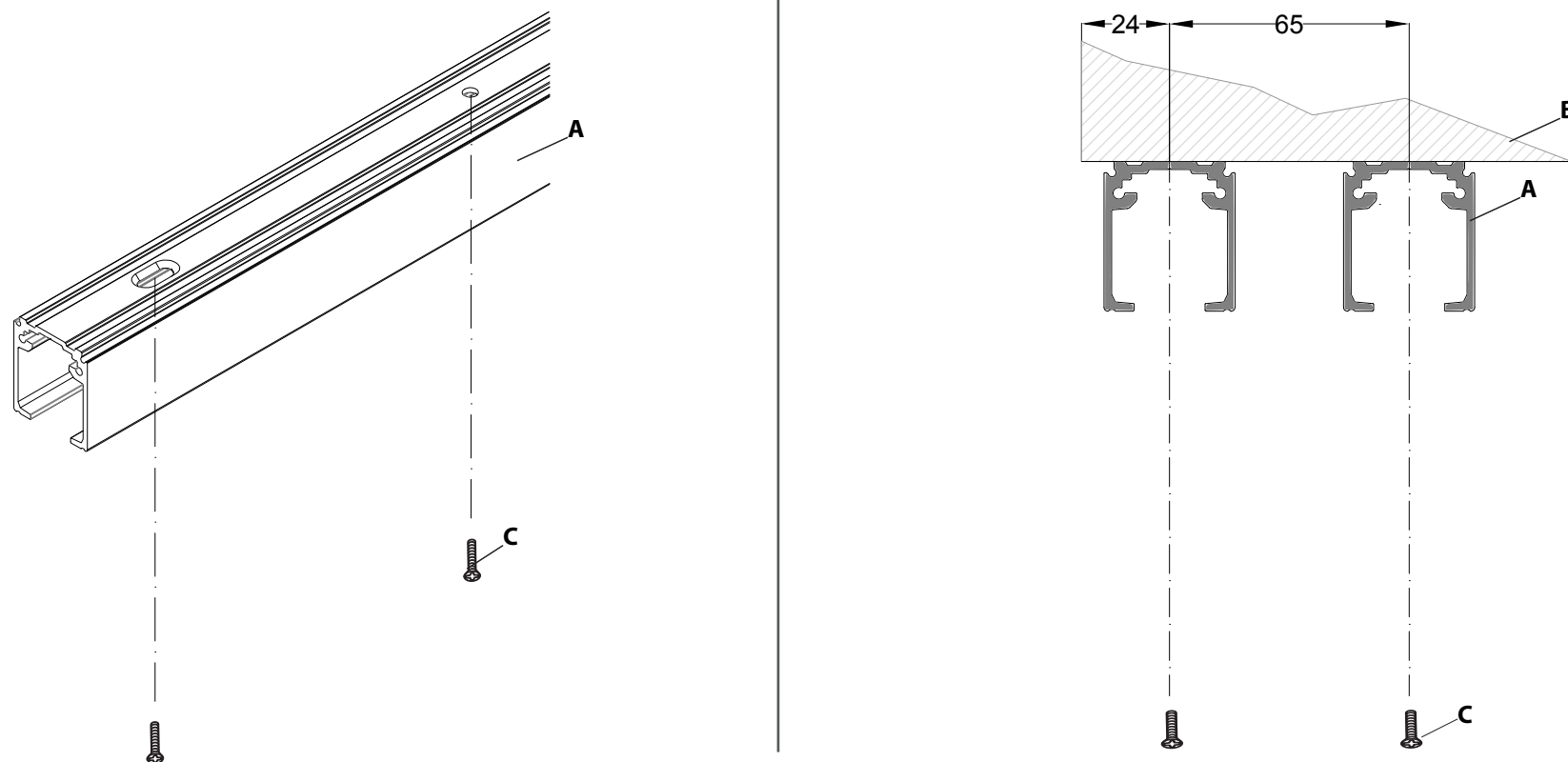
# ASSEMBLY

Runners pre-assembly



**Fig.1**  
Insert sliders **(A)** and door retainers **(B)** inside runners **(C)**.

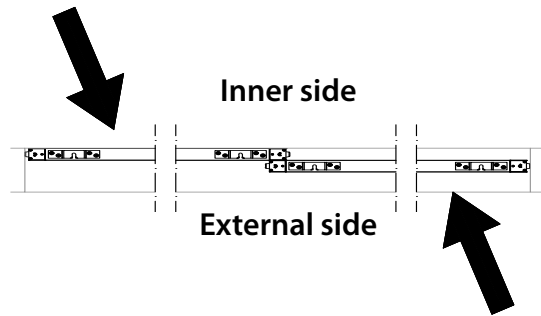
## Runner fastening

**Fig.2**

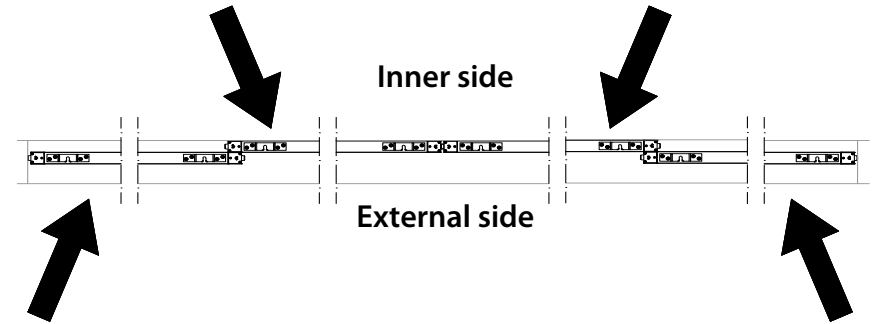
Fasten runner (A) to the aluminium profiles of the support (B) using self-drilling screws (C) (10 screws per runner in the accessories box) every approx. 40 cm. For other types of support structures use instruments adequate to the installation site, provided by the installer.

# ASSEMBLY

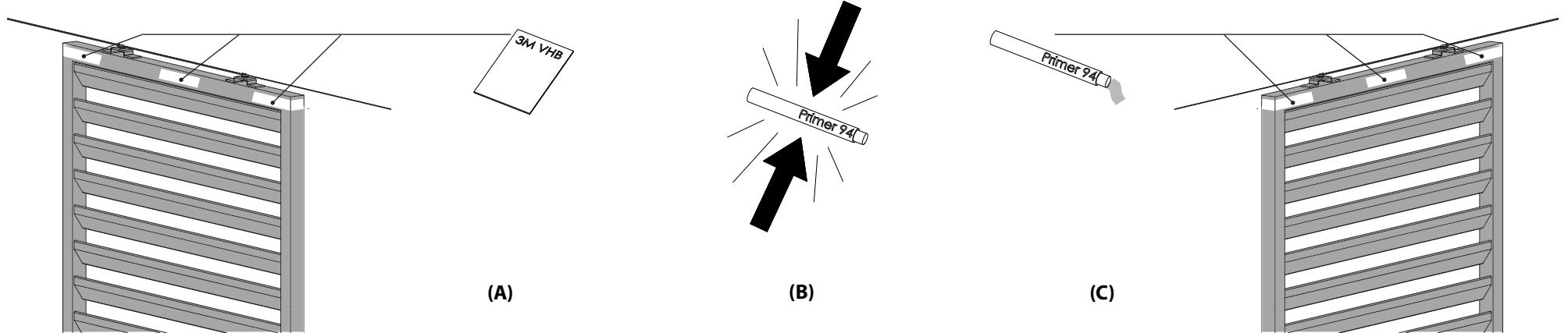
## Primer Application



**Fig. 4**  
2 PANELS - primer application side

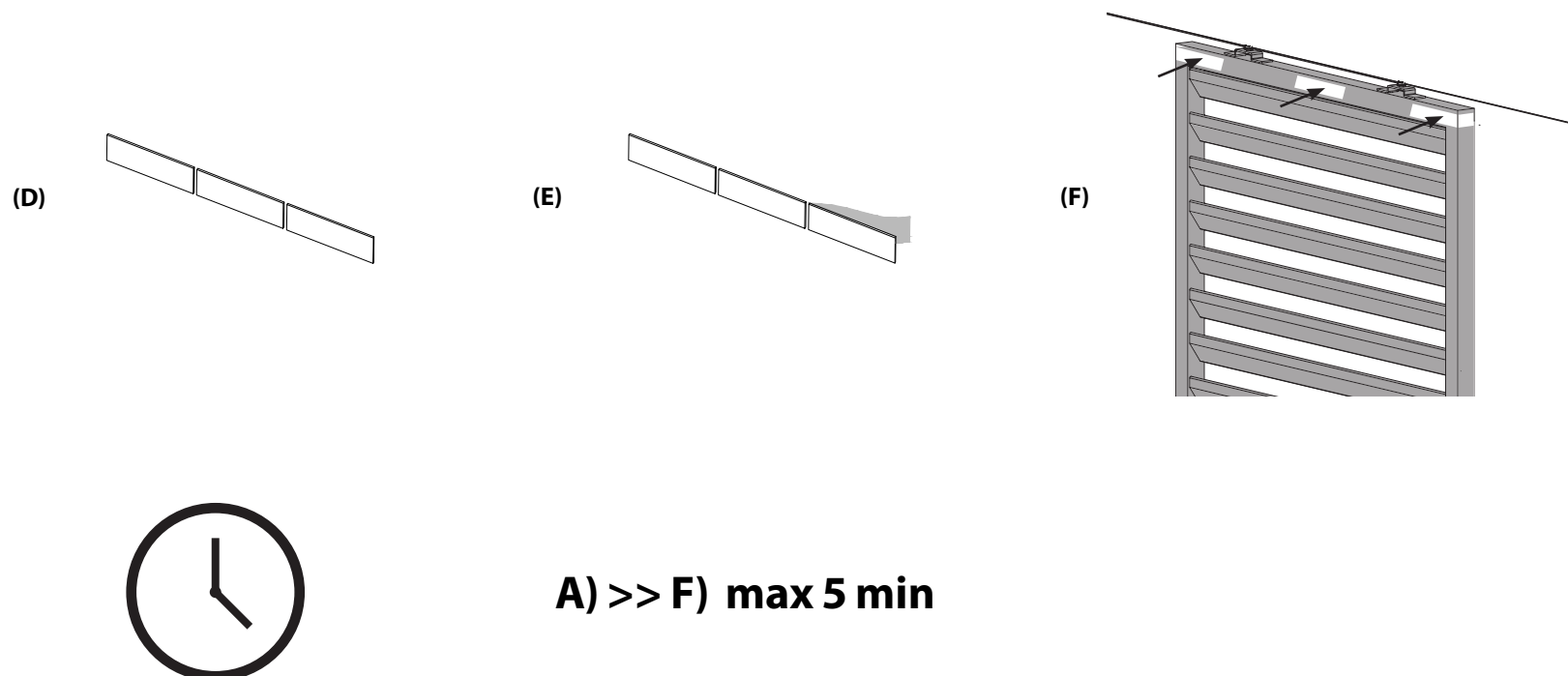


**Fig. 5**  
4 PANELS - primer application side



**Fig. 6**  
Clean the indicated areas with the supplied wipe. **(A)**  
Press the bottle in the middle until it breaks **(B)** then dampen the top of the block before applying it in the indicated areas **(C)**.

Apply sliding Tape



**Fig. 7**

Take 3 adhesive stripes for each panel supplied in the accessories box **(D)** and remove the protective film **(E)**.

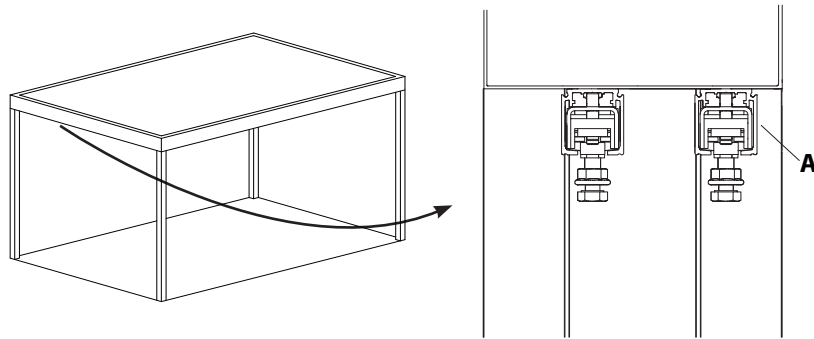
Apply the adhesives in the indicated points **(F)**.



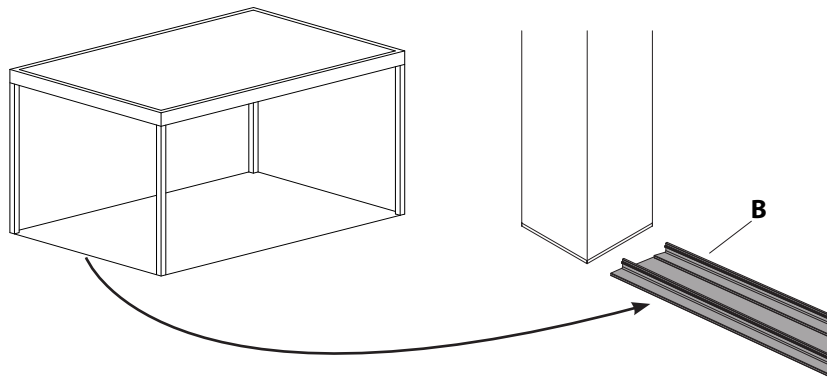
**Note: allow maximum 5 minutes between the cleaning of the areas where the adhesives will be applied and their application.**

# ASSEMBLY

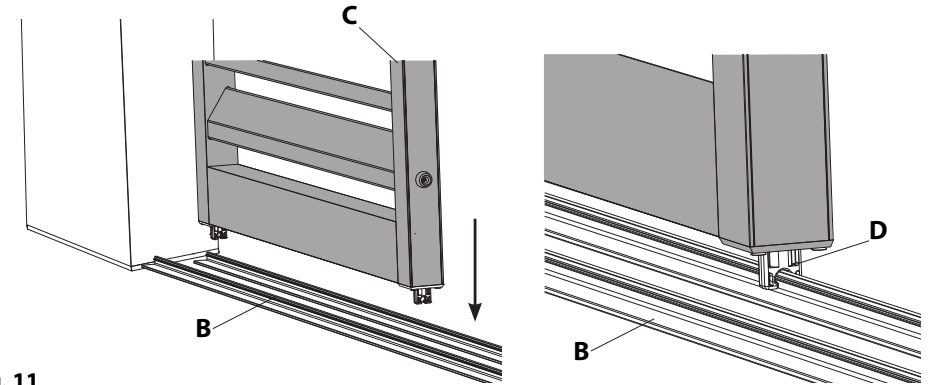
## Panel Positioning



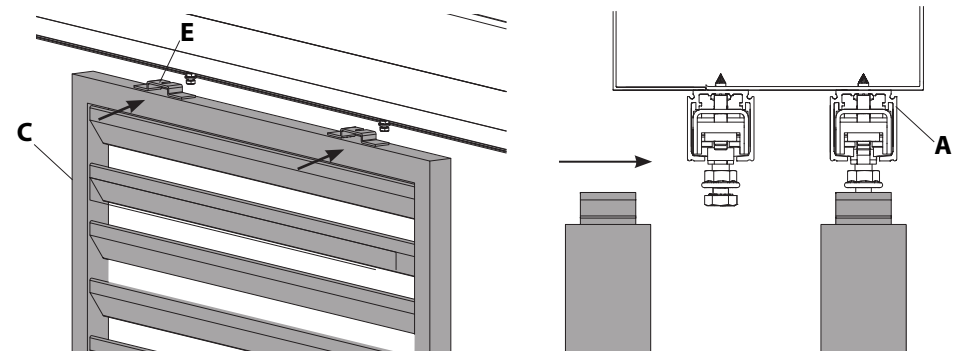
**Fig. 9**  
Aura upper rails (A) are already installed on the Pivot or Span beam (see fig.2).



**Fig. 10**  
Position the lower rails (B) on the support between the columns (perfectly horizontal) without fastening them.

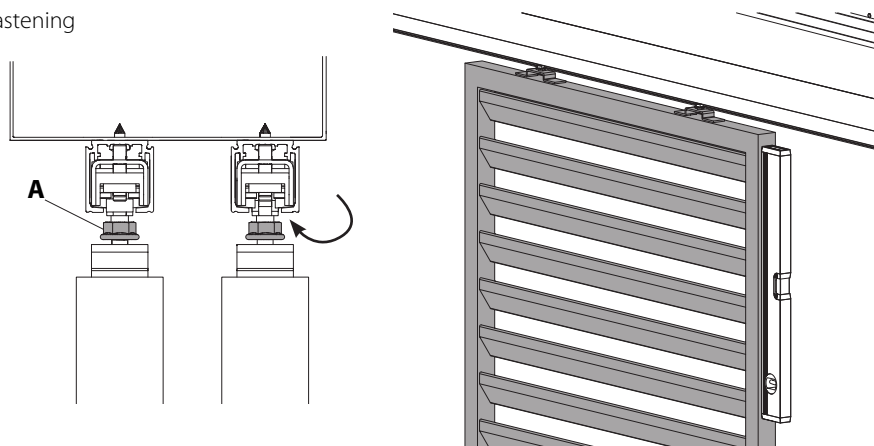


**Fig. 11**  
Place the lower runners (D) of the Aura panels (C) on the lower rail (B), inserting the runner (D) in the milled points of the rail (B) (one side at a time).  
Compartment with 2 panels: 1 panel on each runner.  
Compartment with 4 panels: 2 panels on each runner.

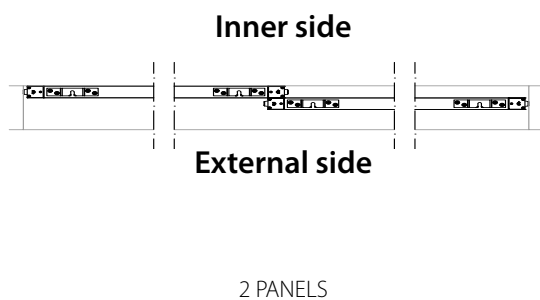


**Fig. 12**  
Fasten the brackets (E) to the upper side of the Aura panels (C) inserting them in the bolts of the sliders of the upper rail (A).

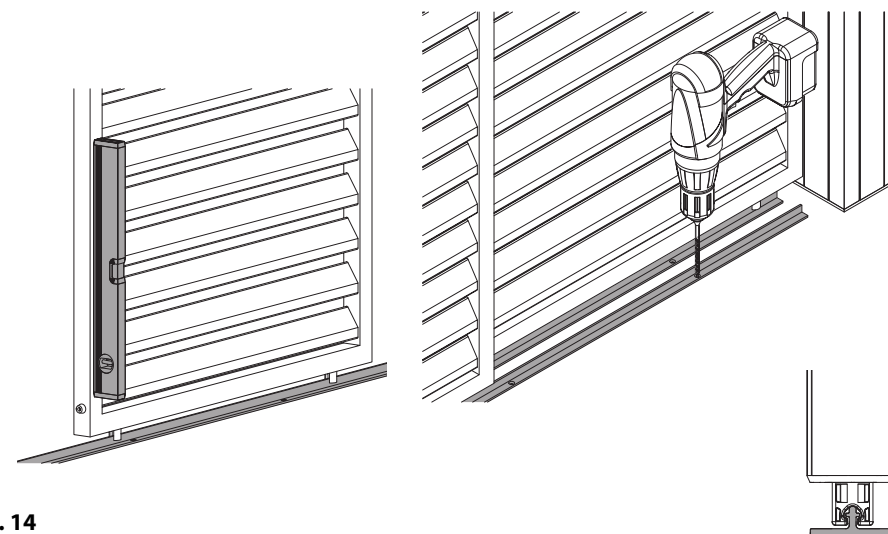
Panel Fastening



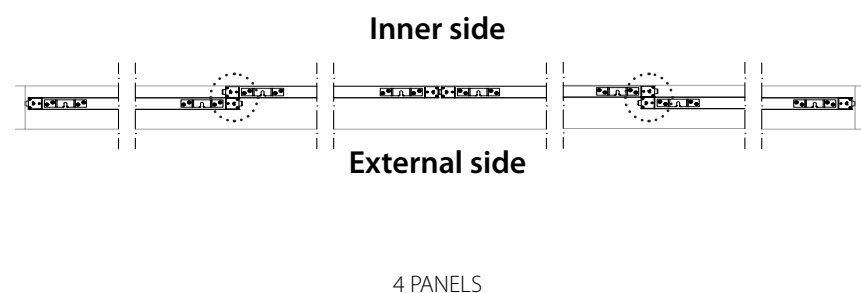
**Fig. 13**  
Tighten the bolts (A) of the sliders until the panel is perfectly hanging and perpendicular to the support. Adjust panel height. Tighten the nut.



**Fig.15**  
Panel arrangement in case of two panels.



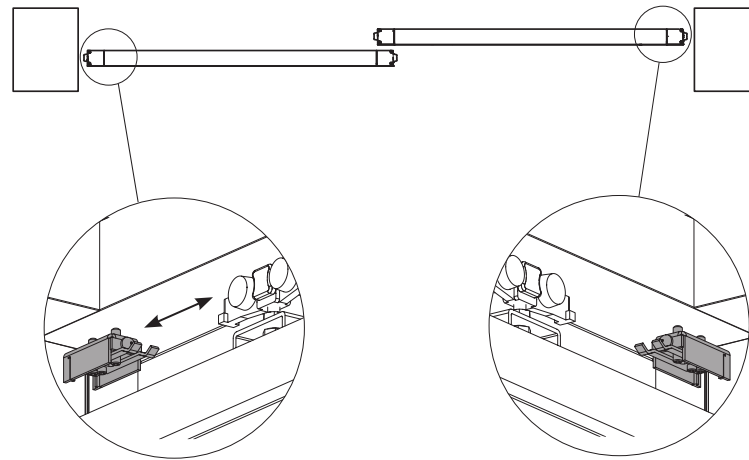
**Fig. 14**  
Check that the panel is perfectly perpendicular also in the other directions. Mark the points where the lower rail holes will be drilled. Fasten the lower runner profile to the support. For this operation use material suitable for the fastening to the support (not supplied).



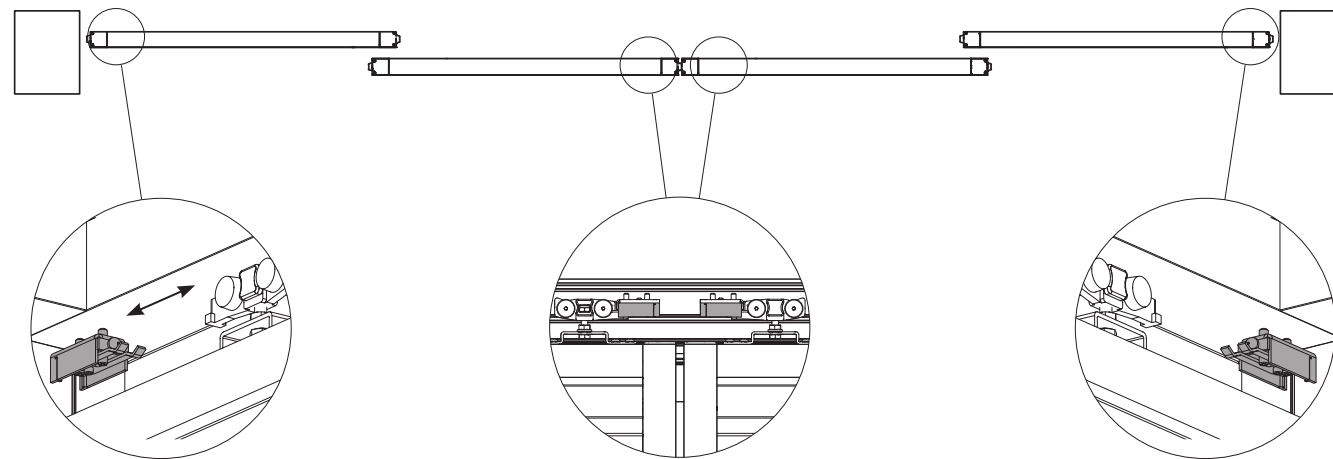
**Fig.16**  
Panel arrangement in case of four panels.  
**Note: With 4 panels, the external vertical profile of the internal panels must be behind the internal vertical profile of the external panels.**

# ASSEMBLY

## Door Retainer Fastening



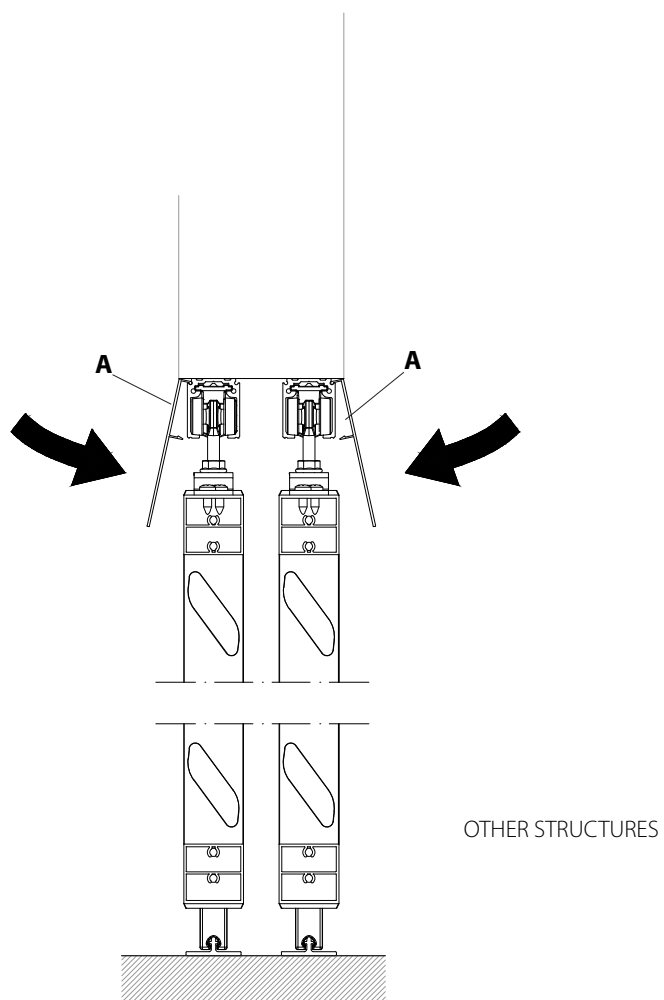
2 PANELS



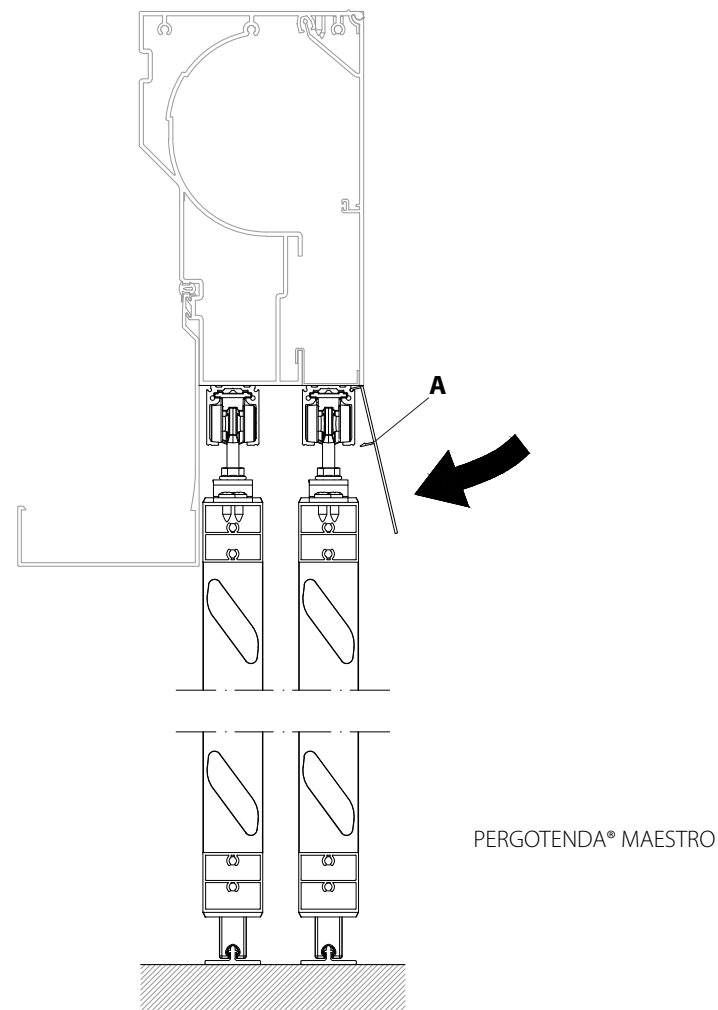
4 PANELS

**Fig. 17**  
Adjust the door retainers.

Closure with casings



**Fig. 18**  
Position the casings (A) as indicated in fig. 18.



**Fig. 19**  
Position the casing (A) as indicated in fig. 19.







**Corradi**  
OUTDOOR LIVING SPACE

**Corradi srl**

Via M. Serenari, 20 • 40013 Castel Maggiore (BO), Italy

**T** +39 051 4188411 • **F** +39 051 4188400

hello@corradi.eu

**www.corradi.eu**