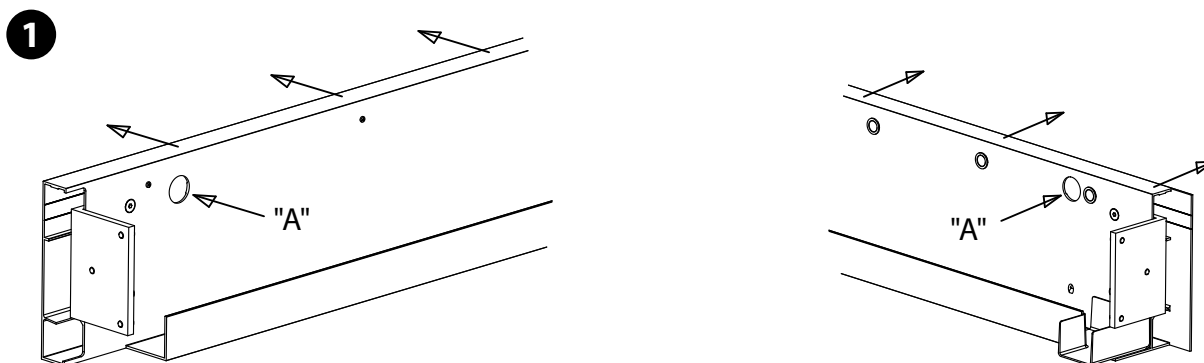
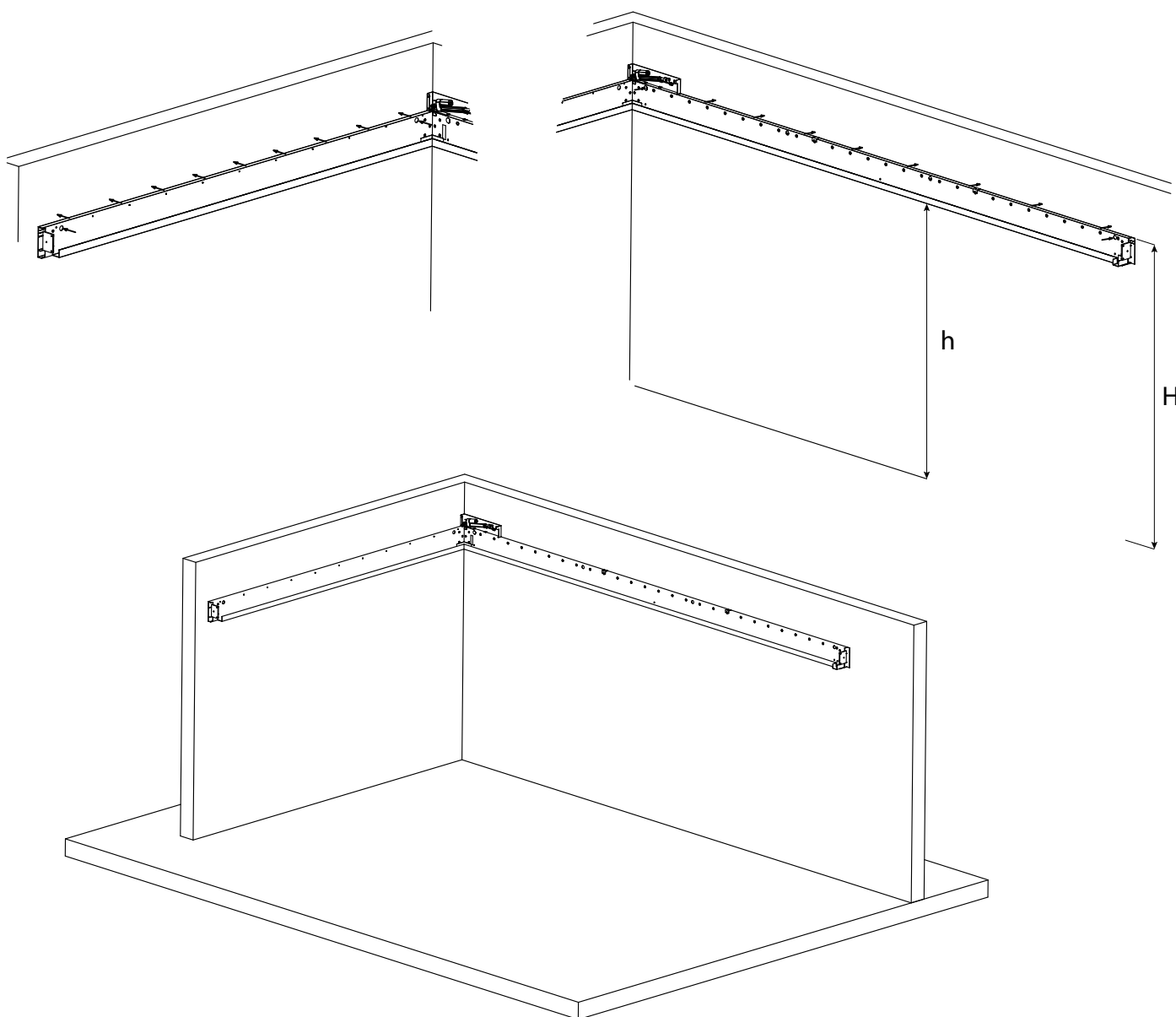


## ALBA: FIXING TO THE WALL



Put the load-bearing profiles on the walls (h-H) and fix them through the dowels that have to be put in the holes marked with "A". (Installation type 2.3) In the Installation types 2.1-2.2 there is only one side that is fixed to the wall.



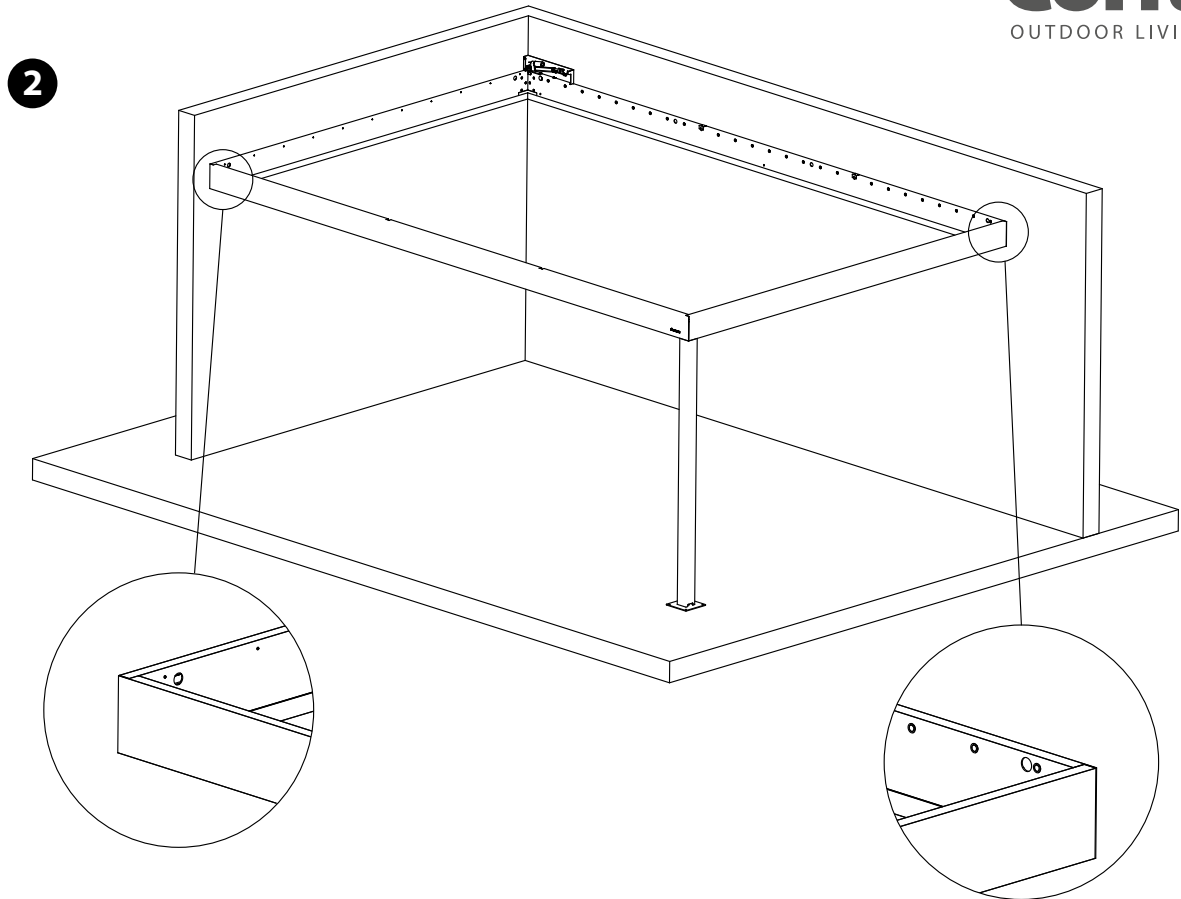
### Corradi Srl

Via G. Brini 39 • 40128 Bologna (BO) Italy  
T +39 051 4188411 | F + 39 051 4188400  
E [info@corradi.eu](mailto:info@corradi.eu) | [www.corradi.eu](http://www.corradi.eu)

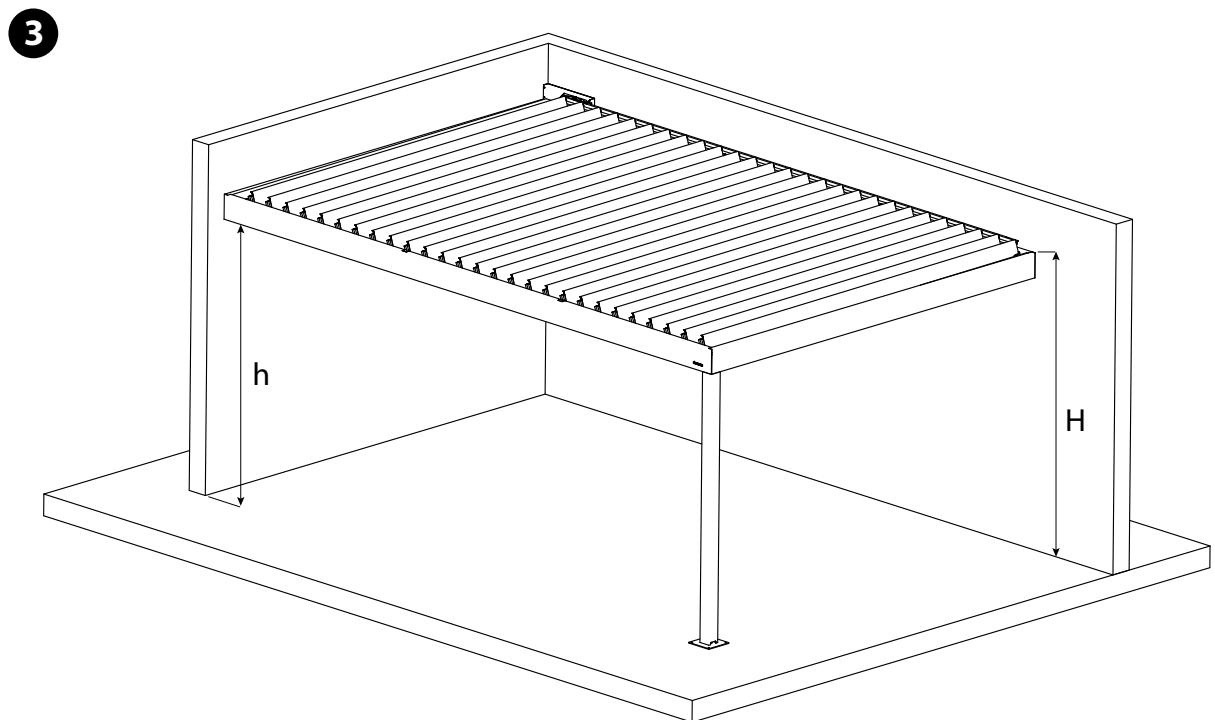
C.F./P.IVA/VAT 03464321201  
REA BO 521198  
Registro Imprese Bologna 03464321201

PEC [corradi2015@legalmail.it](mailto:corradi2015@legalmail.it)  
Cap. sociale i.v./Capital € 10.000,00

MOQ.153 Rev.15 - 19.10.2015



Put together the remaining profiles, that build the perimeter, with the pillars.  
(See Installation instructions for the self-supporting version).



Complete the installation by following the instructions that can be found in the self-supporting version.